

Printed-circuit board connector - PTSM 0,5/ 8-HV-2,5-THR R44 - 1778612

Please be informed that the data shown in this PDF Document is generated from our Online Catalog. Please find the complete data in the user's documentation. Our General Terms of Use for Downloads are valid (<http://phoenixcontact.com/download>)



PCB headers, nominal current: 6 A, rated voltage (III/2): 160 V, nominal cross section: 0.5 mm², number of positions: 8, pitch: 2.5 mm, color: black, contact surface: Tin, mounting: THR soldering, pin layout: Linear pinning, solder pin [P]: 2 mm


The figure shows the 3-pos. version

Your advantages

- ✓ Designed for integration into the SMT soldering process
- ✓ Supplied in tape-on-reel packing according to IEC 60286-3 for automated mounting
- ✓ Vertical connection enables multi-row arrangement on the PCB



Key Commercial Data

| | |
|------------------------|---|
| Packing unit | 330 pc |
| Minimum order quantity | 330 pc |
| GTIN |  4 046356 529785 |
| GTIN | 4046356529785 |

Technical data

Dimensions

| | |
|--------------------------|--------------|
| Length [l] | 5 mm |
| Width | 21.7 mm |
| Pitch | 2.5 mm |
| Dimension a | 17.5 mm |
| Width [w] | 21.7 mm |
| Height [h] | 9.5 mm |
| Installed height | 7.5 mm |
| Length of the solder pin | 2 mm |
| Pin dimensions | 0.6 x 0.6 mm |
| Pin spacing | 2.50 mm |

Printed-circuit board connector - PTSM 0,5/ 8-HV-2,5-THR R44 - 1778612

Technical data

Dimensions

| | |
|--------|------|
| Length | 5 mm |
|--------|------|

General

| | |
|--|--------------------|
| Range of articles | PTSM 0,5/..-HV-THR |
| Insulating material group | IIIa |
| Rated surge voltage (III/3) | 2.5 kV |
| Rated surge voltage (III/2) | 2.5 kV |
| Rated surge voltage (II/2) | 2.5 kV |
| Rated voltage (III/3) | 50 V |
| Rated voltage (III/2) | 160 V |
| Rated voltage (II/2) | 160 V |
| Connection in acc. with standard | EN-VDE |
| Nominal current I_N | 6 A |
| Maximum load current | 6 A |
| Insulating material | LCP |
| Flammability rating according to UL 94 | V0 |
| Color | black |
| Number of positions | 8 |

Standards and Regulations

| | |
|--|--------|
| Connection in acc. with standard | EN-VDE |
| | UL |
| Flammability rating according to UL 94 | V0 |

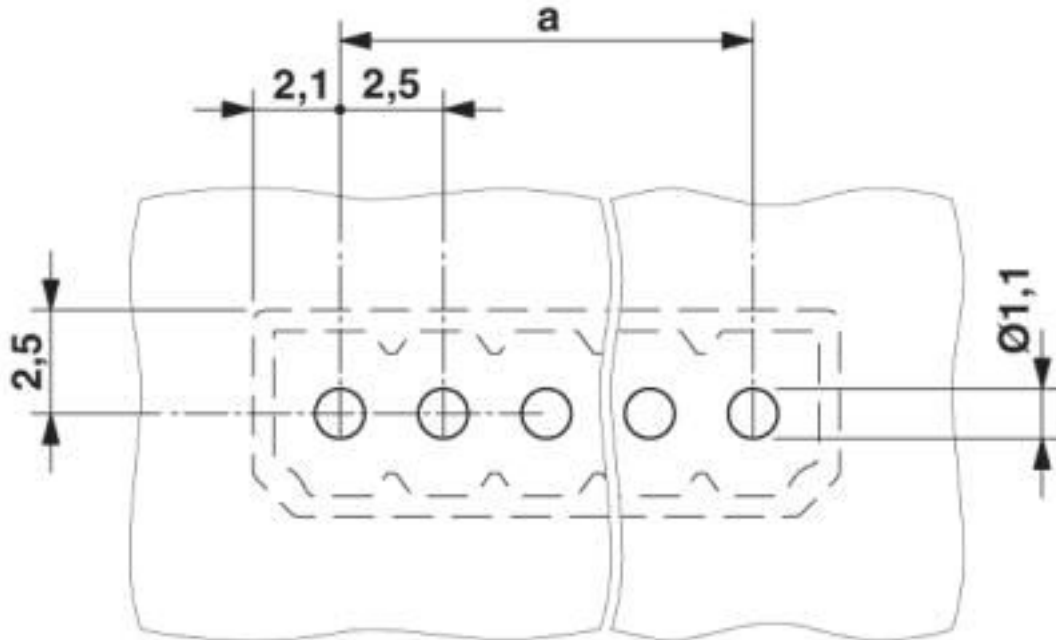
Environmental Product Compliance

| | |
|------------|---|
| China RoHS | Environmentally friendly use period: unlimited = EFUP-e |
| | No hazardous substances above threshold values |

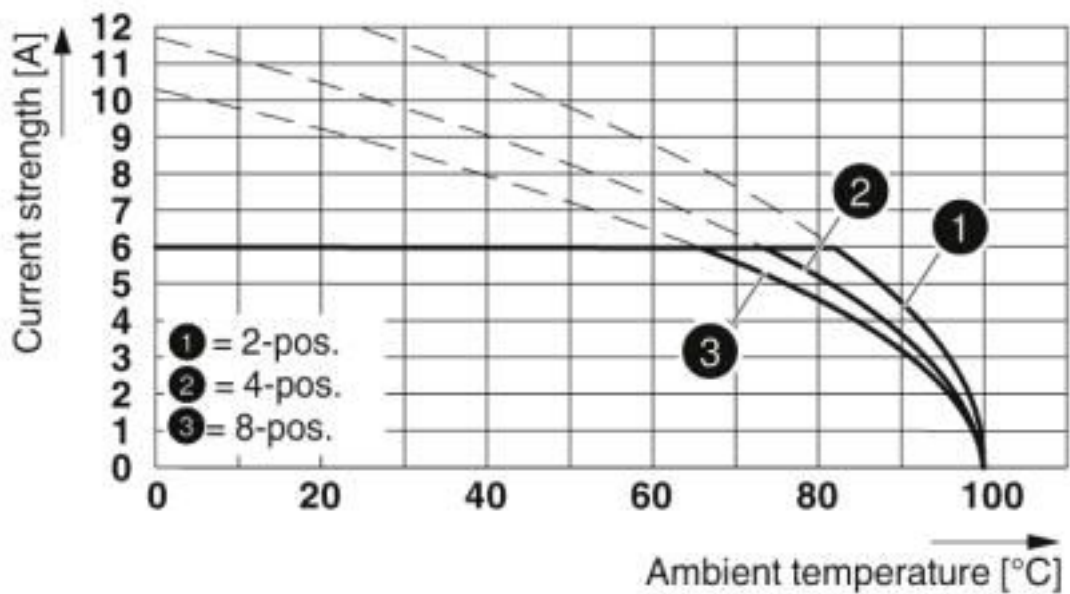
Drawings

Printed-circuit board connector - PTSM 0,5/ 8-HV-2,5-THR R44 - 1778612

Drilling diagram



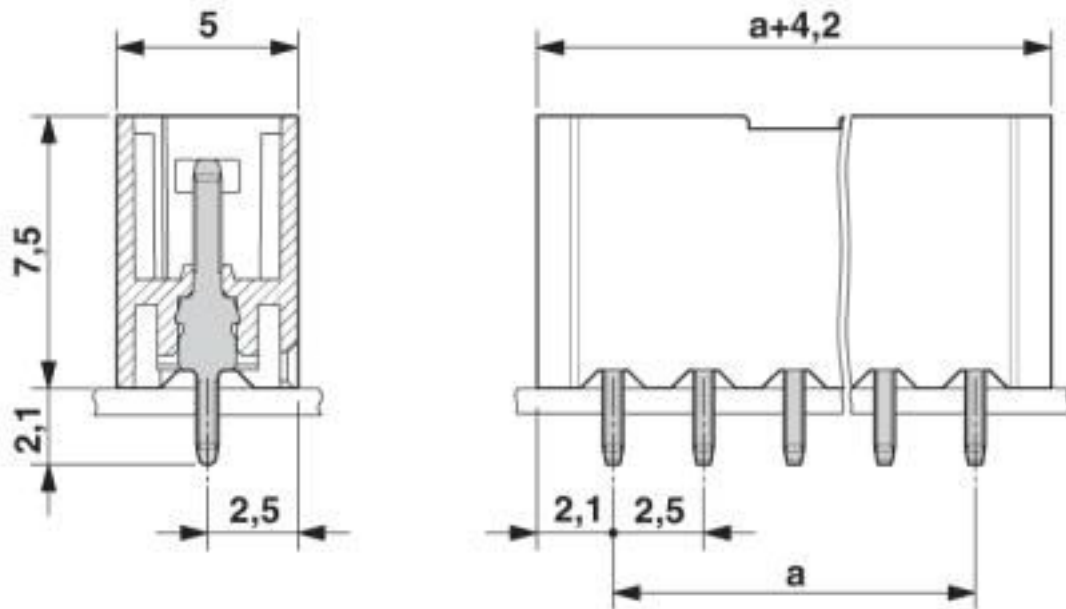
Diagram



Derating curve for: PTSM 0,5/...-P-2,5 with PTSM 0,5/...-HV-2,5-THR R...

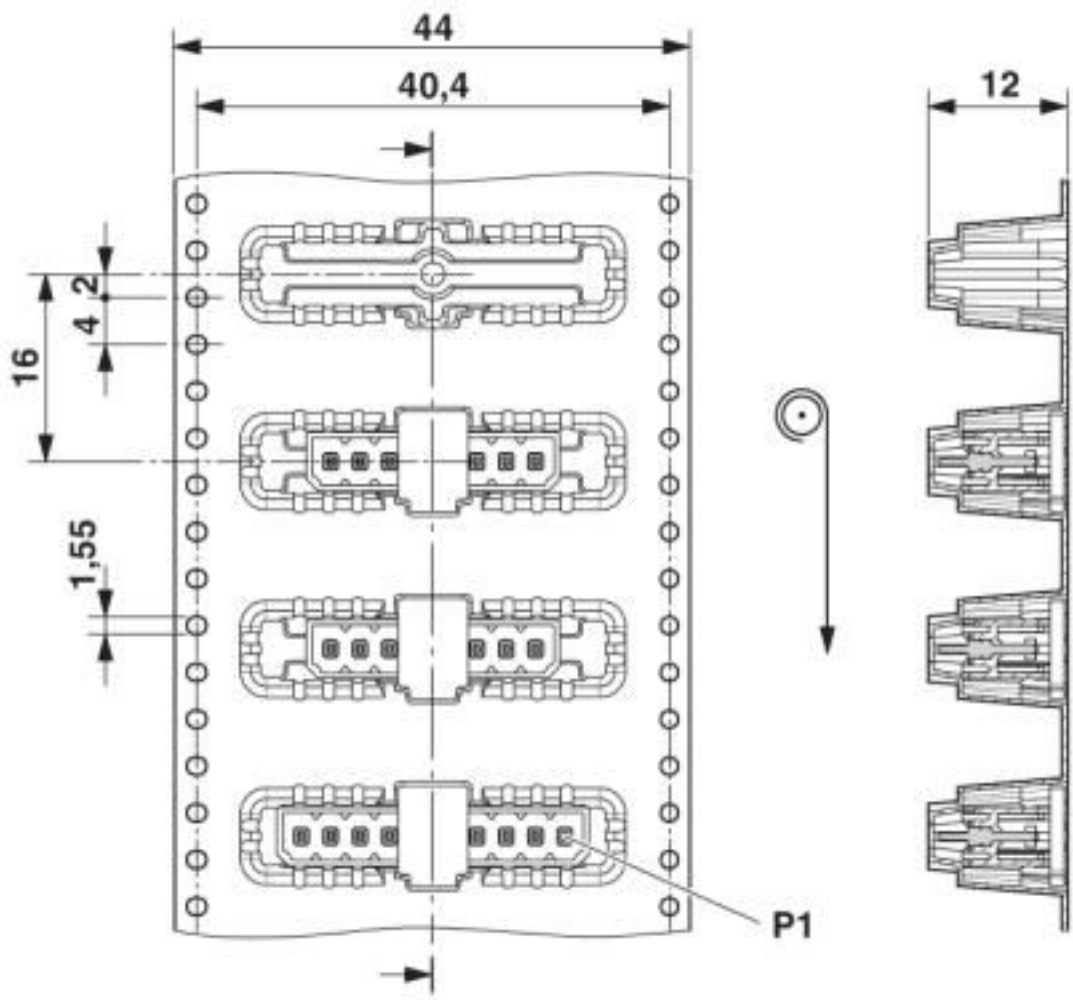
Printed-circuit board connector - PTSM 0,5/ 8-HV-2,5-THR R44 - 1778612

Dimensional drawing



Printed-circuit board connector - PTSM 0,5/ 8-HV-2,5-THR R44 - 1778612

Dimensional drawing



Classifications

eCl@ss

| | |
|---------------|----------|
| eCl@ss 10.0.1 | 27440402 |
| eCl@ss 4.0 | 27260700 |
| eCl@ss 4.1 | 27260700 |
| eCl@ss 5.0 | 27260700 |
| eCl@ss 5.1 | 27260700 |
| eCl@ss 6.0 | 27260700 |
| eCl@ss 7.0 | 27440402 |
| eCl@ss 8.0 | 27440402 |
| eCl@ss 9.0 | 27440402 |

Printed-circuit board connector - PTSM 0,5/ 8-HV-2,5-THR R44 - 1778612

Classifications

ETIM

| | |
|----------|----------|
| ETIM 3.0 | EC001121 |
| ETIM 4.0 | EC002637 |
| ETIM 5.0 | EC002637 |
| ETIM 6.0 | EC002637 |
| ETIM 7.0 | EC002637 |

UNSPSC

| | |
|---------------|----------|
| UNSPSC 6.01 | 30211810 |
| UNSPSC 7.0901 | 39121409 |
| UNSPSC 11 | 39121409 |
| UNSPSC 12.01 | 39121409 |
| UNSPSC 13.2 | 39121409 |
| UNSPSC 18.0 | 39121409 |
| UNSPSC 19.0 | 39121409 |
| UNSPSC 20.0 | 39121409 |
| UNSPSC 21.0 | 39121409 |

Approvals


Approvals

Approvals

UL Recognized / VDE Zeichengenehmigung / EAC / cULus Recognized

Ex Approvals

Approval details

| | | |
|--------------------|---|--|
| UL Recognized |  | http://database.ul.com/cgi-bin/XYV/template/LISEXT/1FRAME/index.htm E118976-20130619 |
| | | B |
| Nominal voltage UN | | 150 V |
| Nominal current IN | | 5 A |

Printed-circuit board connector - PTSM 0,5/ 8-HV-2,5-THR R44 - 1778612

Approvals

| | | | |
|----------------------------|---------|---|----------|
| VDE Zeichengenehmigung | | http://www2.vde.com/de/Institut/Online-Service/VDE-gepruefteProdukte/Seiten/Online-Suche.aspx | 40048497 |
| Nominal voltage UN | 160 V | | |
| Nominal current IN | 6 A | | |
| mm ² /AWG/kcmil | 0.14-.5 | | |

| | | |
|-----|--|---------|
| EAC | | B.01687 |
|-----|--|---------|

| | | | |
|--------------------|-------|---|-----------------|
| cULus Recognized | | http://database.ul.com/cgi-bin/XYV/template/LISEXT/1FRAME/index.htm | E60425-20110108 |
| Nominal voltage UN | B | | |
| Nominal current IN | 150 V | | |
| | 6 A | | |

Accessories

Additional products

Printed-circuit board connector - PTSM 0,5/ 8-P-2,5 - 1778890



PCB connector, nominal current: 6 A, rated voltage (III/2): 160 V, nominal cross section: 0.5 mm², number of positions: 8, pitch: 2.5 mm, connection method: Push-in spring connection, color: black, contact surface: Tin

Phoenix Contact 2020 © - all rights reserved
<http://www.phoenixcontact.com>

PHOENIX CONTACT GmbH & Co. KG
Flachsmarktstr. 8
32825 Blomberg
Germany
Tel. +49 5235 300
Fax +49 5235 3 41200
<http://www.phoenixcontact.com>

Mouser Electronics

Authorized Distributor

Click to View Pricing, Inventory, Delivery & Lifecycle Information:

[Phoenix Contact:](#)

[1778612](#)