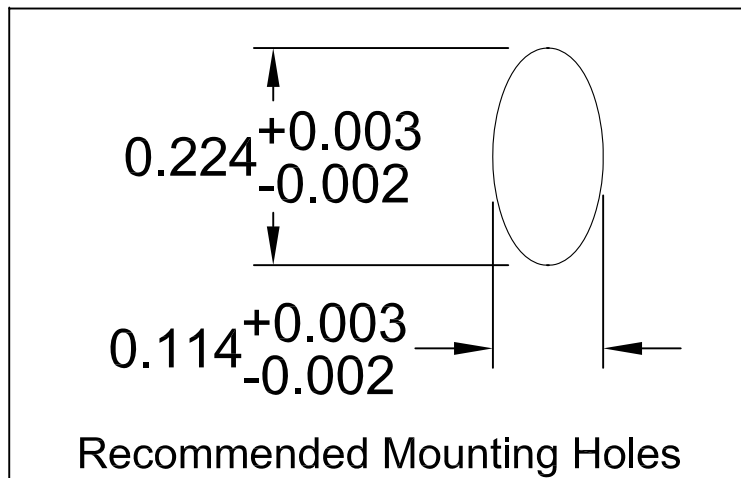
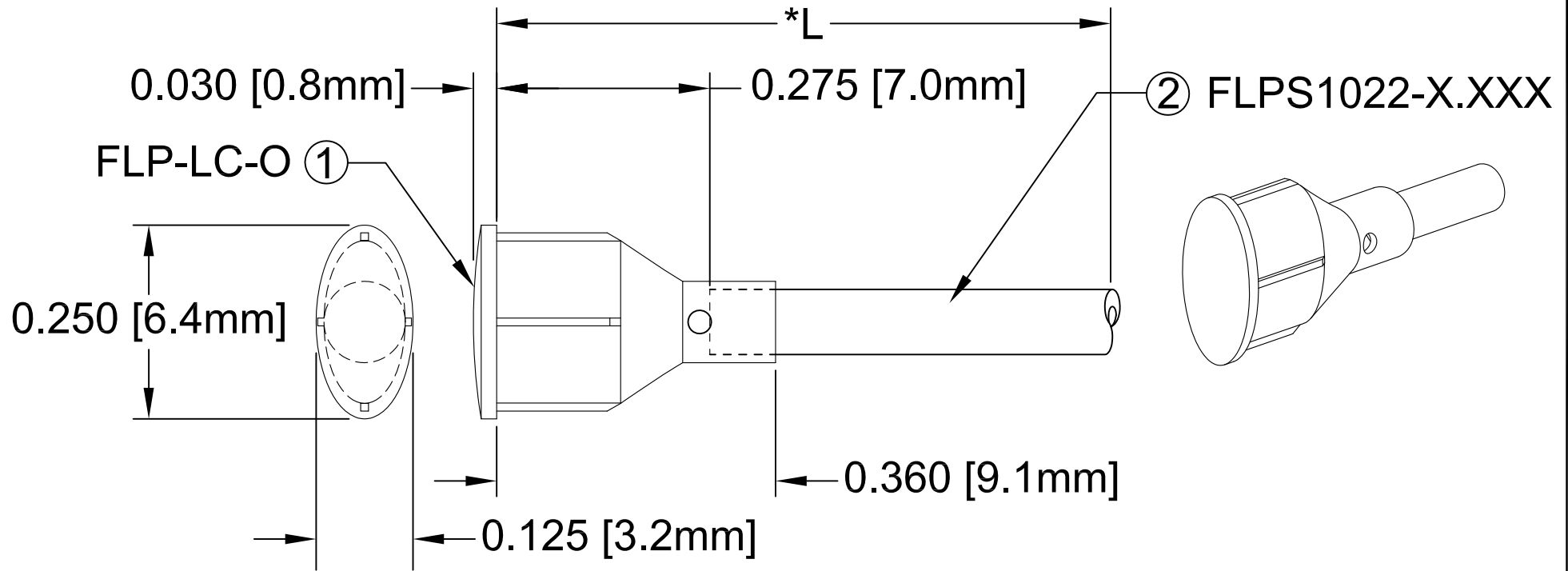




ITEM	Q'TY	PART NUMBER	PART DESCRIPTION
1	1	FLP-LC-O	HOLDER CAP, FLEXIBLE LIGHT-PIPE, OVAL
2	1	FLPS1022-X.XXX	LIGHT PIPE CABLE, CUT LENGTH IN INCHES

REV.	DESCRIPTION	DATE	APPROVED
B	Engineering Update w/o Changes	03/01/04	M. C.
C	Dimensioning Update w/o Changes	01/05/05	M. C.
D	Cable Length Update	09/18/06	M. C.
E	Updated Fiber In BOM	11/16/12	T. Y.



" L "	Tolerance
0.750" ~ 16.000"	±0.050"
16.100" ~ 40.000"	±0.150"
40.100" ~ 80.000"	±0.300"
80.100" ~ 3,940.0"	±0.5%

STANDARD TOLERANCE ( UNLESS OTHERWISE SPECIFIED )		 4 THOMAS, IRVINE, CA. 92618 TEL: (949) 951-8808 FAX: (949) 951-3974	
DECIMALS	ANGULAR		
.X ±.1	X° ± 1°	 TITLE: OVAL LENS CAP ASSEMBLY	
.XX ±.02			DESIGNED: <b>Shane Irving</b>
.XXX ±.010			DATE: <b>05/22/02</b>
CHECKED: <b>M. Chen</b>		DATE: <b>05/22/02</b>	PART NO: <b>FLPO-XX.X</b> CAGE CODE : <b>32559</b> SHEET # <b>1 OF 1</b> REVISION: <b>E</b> <small>CAD GENERATED DOCUMENT, DO NOT MEASURE DRAWING.</small>

\*NOTE:  
ALLOWABLE CUT LENGTH IS UP TO 3 DECIMAL PLACES.

# Mouser Electronics

Authorized Distributor

Click to View Pricing, Inventory, Delivery & Lifecycle Information:

## BIVAR:

[FLPO-1.5](#) [FLPO-10.0](#) [FLPO-10.5](#) [FLPO-12.0](#) [FLPO-15.0](#) [FLPO-2.75](#) [FLPO-20.0](#) [FLPO-23.0](#) [FLPO-24.0](#) [FLPO-3.0](#) [FLPO-3.5](#) [FLPO-5.0](#) [FLPO-6.0](#) [FLPO-8.0](#) [FLPO-9.0](#)