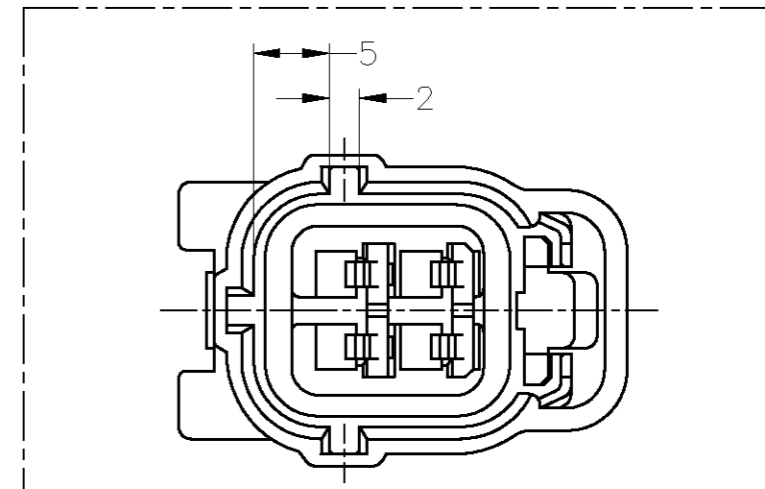
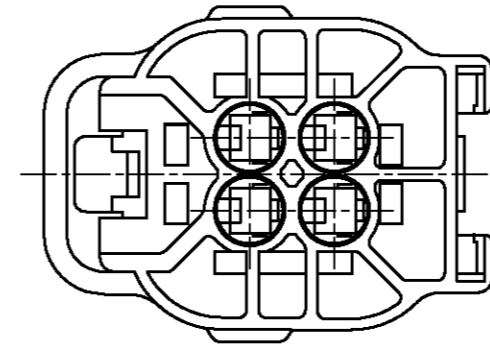
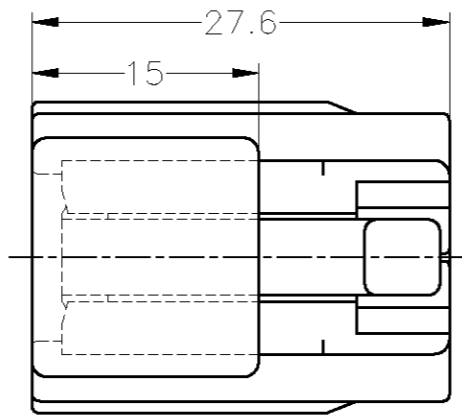
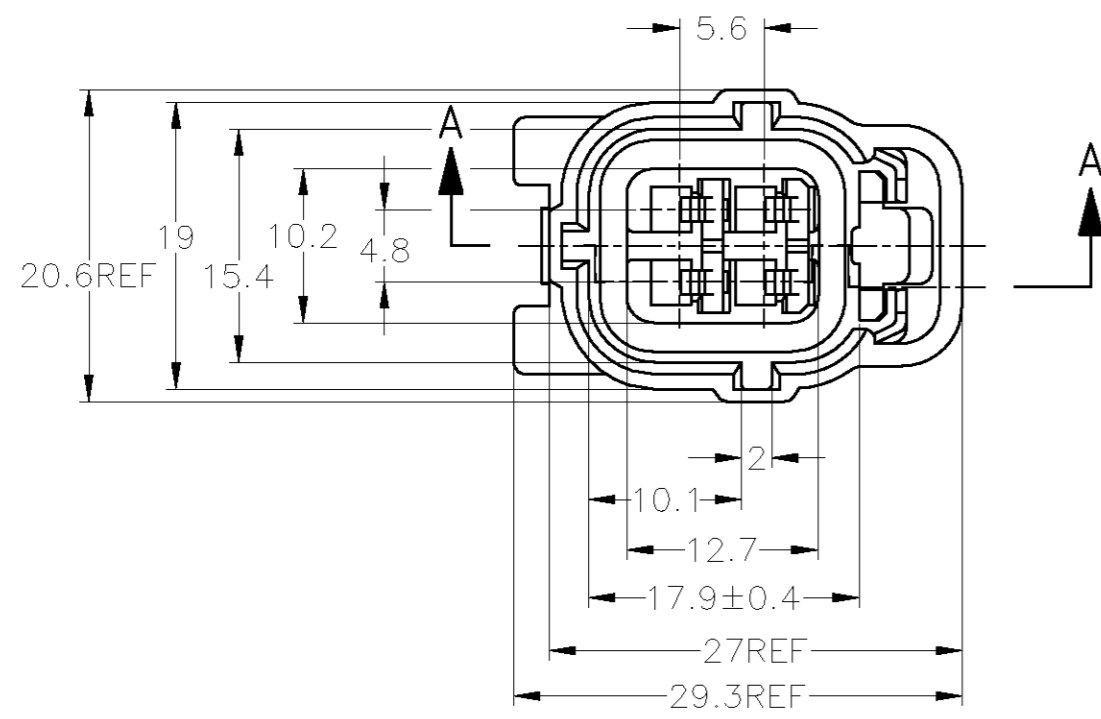
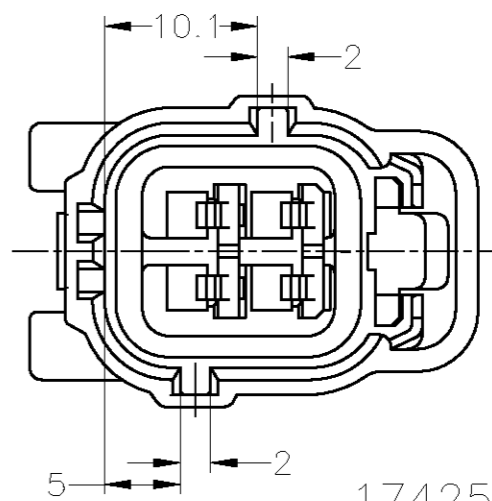


THIS DRAWING IS UNPUBLISHED. RELEASED FOR PUBLICATION
 © COPYRIGHT BY TYCO ELECTRONICS CORPORATION. ALL INTERNATIONAL RIGHTS RESERVED.

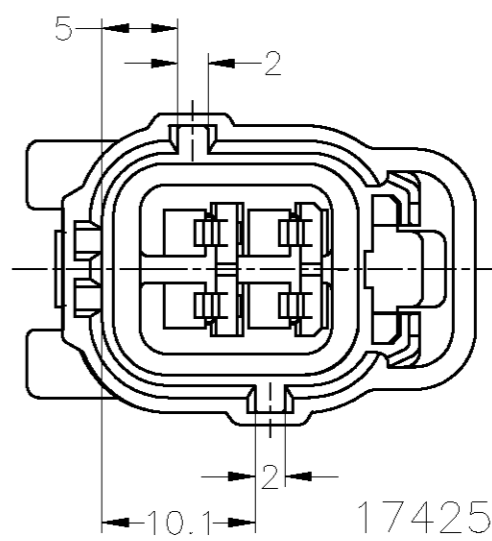
LOC	DIST	REVISIONS					
J	-	P	LTR	DESCRIPTION	DATE	DWN	APVD
		F	REVISED	変更	ECR-10-010324	14MAY10	TS KB



174257-1

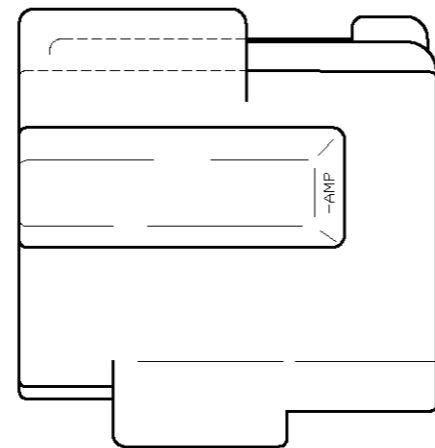
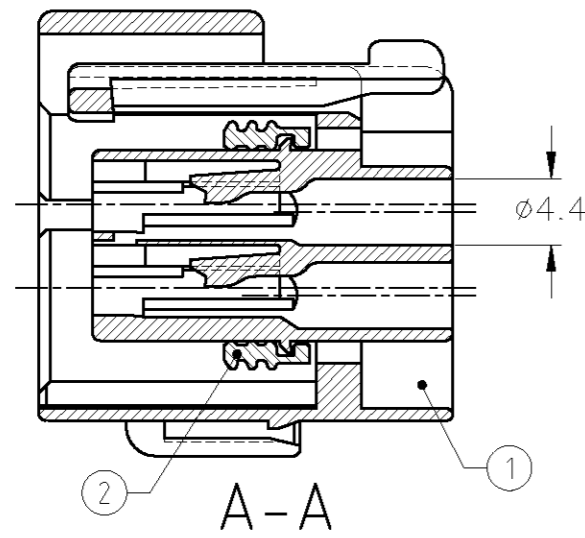


174257-3



174257-5

174257-2, 1-174257-2



1. 嵌合相手型番: 174259, 173915
2. 本品はプラグハウジング単体にシールリングがアッセンブリされたものである。
3. 本品はダブルロックプレート型番 174258を装着して使用する。

1. FOR CAP HOUSING PN 174259, 173915
2. THIS PART IS COMPOSED OF PLUG HOUSING AND SEAL RING
3. THIS PART MUST BE USED WITH DOUBLE LOCK PLATE PN 174258

SUPERSEDED BY 174257-NTC

SILICON / BLACK	PBT / BROWN	174257-5
SILICON / BLACK	PBT / BLACK	174257-4
SILICON / BLACK	PBT / DARK GRAY	174257-3
NBR / GRAY	PBT / BLACK	1-174257-2
SILICON / BLACK	PBT / BLACK	174257-2
SILICON / BLACK	PBT / GRAY	174257-1
② SEAL RING	① PLUG HOUSING	PART NUMBER
MATERIAL / COLOR		

TOLERANCE UNLESS OTHERWISE SPECIFIED: 一般公差

0 < x ≤ 10 : ±0.2
 10 < x ≤ 30 : ±0.25
 30 < x < 100 : ±0.3

ANGLE : ±3°
 角度 : ±3°

THIS DRAWING IS A CONTROLLED DOCUMENT.

DIMENSIONS: 単位: 寸 mm

TOLERANCES UNLESS OTHERWISE SPECIFIED: 一般公差

0 PLC ±
 1 PLC ± -
 2 PLC ± -
 3 PLC ± -
 4 PLC ± -
 ANGLES ± -

MATERIAL 材料 SEE TABLE

FINISH 仕上 -

THIS DRAWING IS A CONTROLLED DOCUMENT.

DWN T.SHINOHARA 09FEB04
 CHK K.BETSUI 09FEB04
 APVD K.BETSUI 09FEB04

PRODUCT SPEC 108-5262
 APPLICATION SPEC 114-5082

WEIGHT 7.9g

CUSTOMER DRAWING

Tyco Electronics Tyco Electronics Corporation
 Kawasaki, Japan

NAME 名称 4Pos. ECONOSEAL J-MARKII+ CONNECTOR PLUG HOUSING

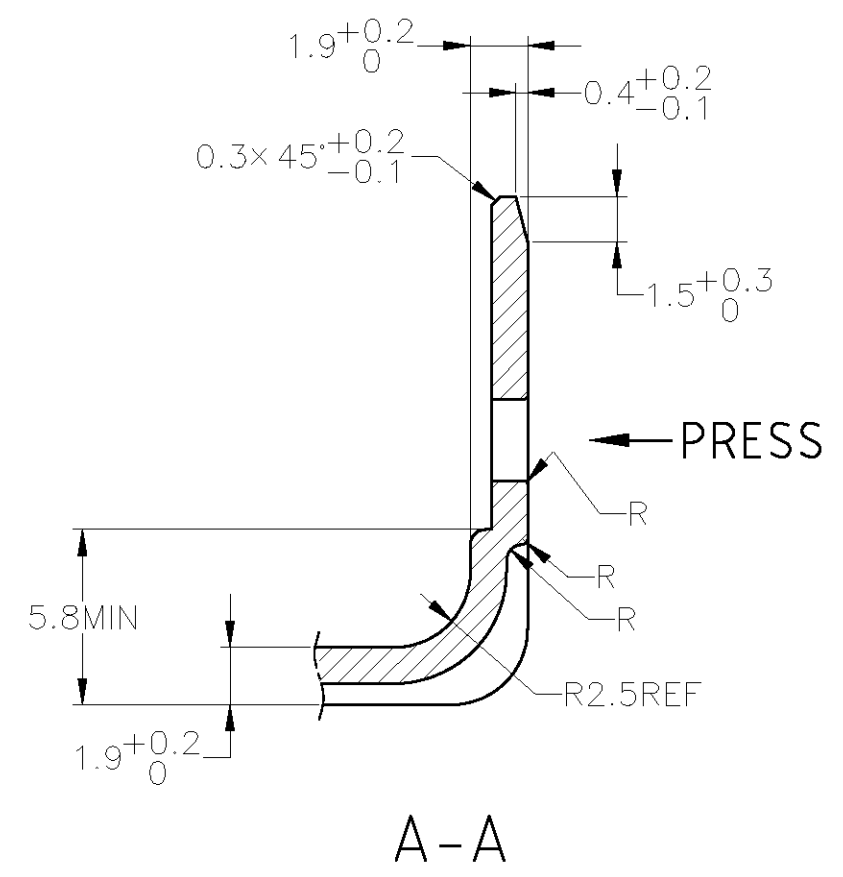
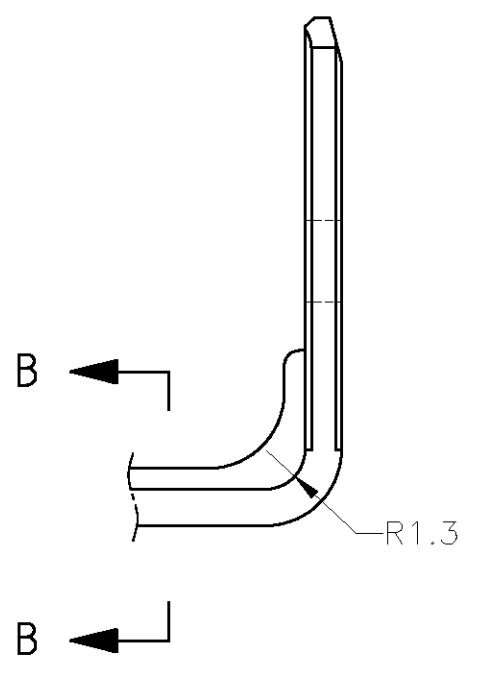
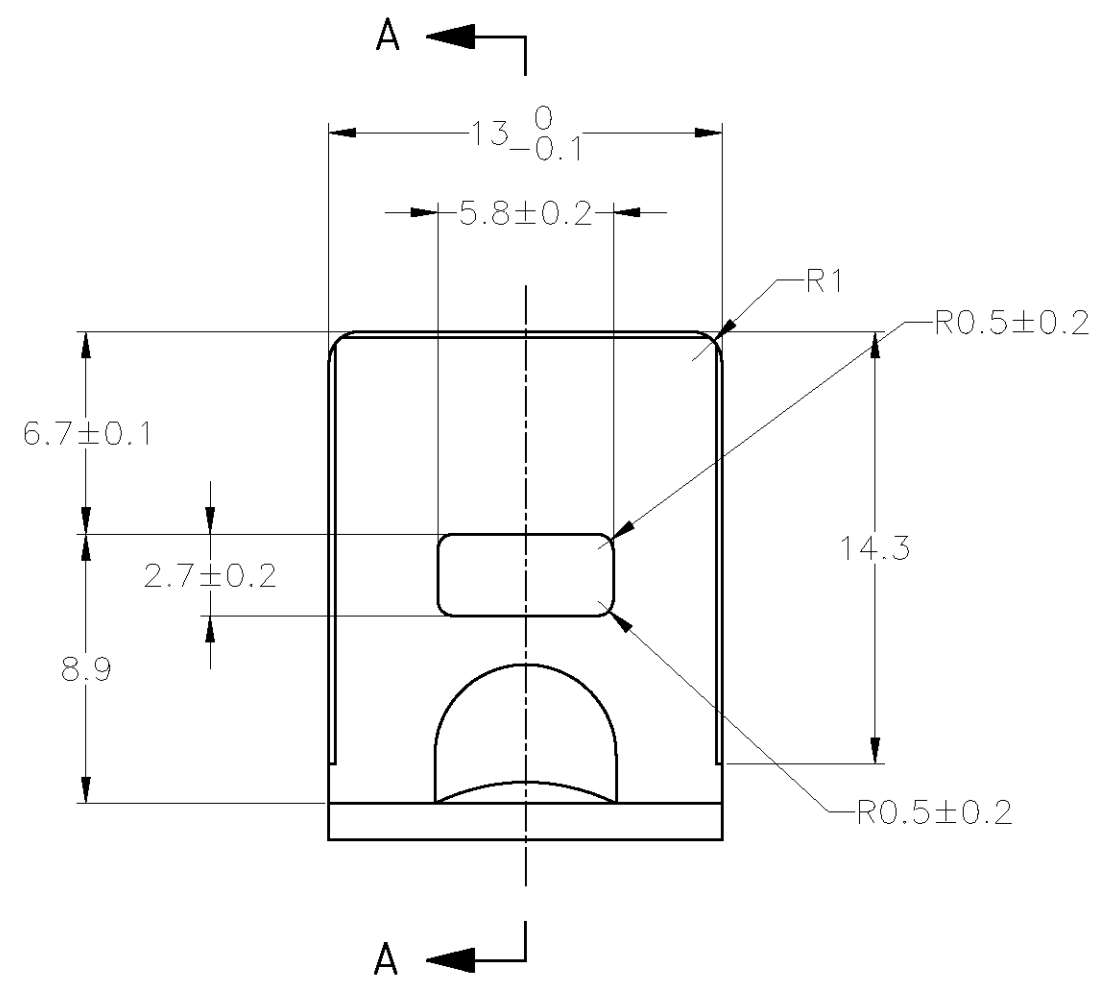
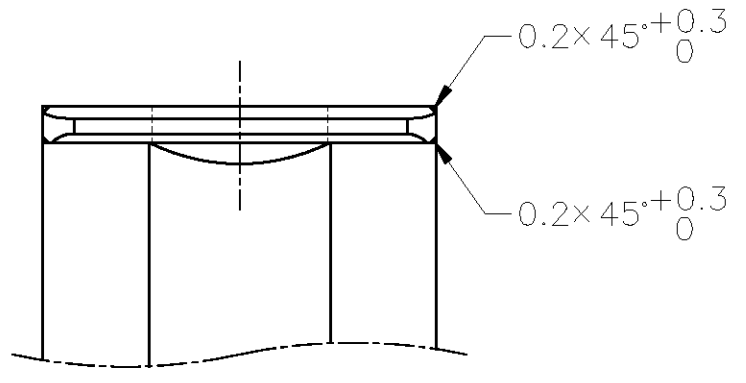
SIZE A2 CAGE CODE 00779 DRAWING NO. 番号 C=174257 RESTRICTED TO -

SCALE 尺度 2:1 SHEET 1 of 2 REV F

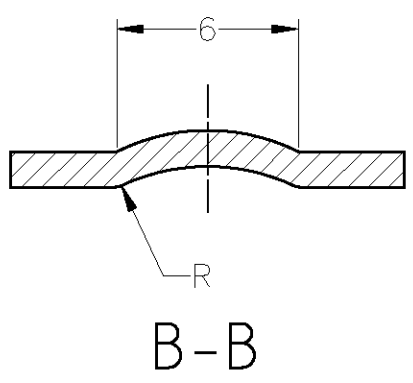
THIS DRAWING IS UNPUBLISHED. RELEASED FOR PUBLICATION
 © COPYRIGHT BY TYCO ELECTRONICS CORPORATION. ALL RIGHTS RESERVED.

LOC	DIST	REVISIONS					
J	—	P	LTR	DESCRIPTION	DATE	DWN	APVD
		—		SEE SHEET 1	—	—	—

ブラケット推奨寸法図
 RECOMMENDED DIMENSION OF BRACKET



t = 1.2 ± 0.08



TOLERANCE UNLESS OTHERWISE SPECIFIED:
 一般公差

0 < x ≤ 10	: ±0.2
10 < x ≤ 30	: ±0.25
30 < x ≤ 100	: ±0.3
ANGLE : 角度	: ±3°

THIS DRAWING IS A CONTROLLED DOCUMENT.		DWN T.SHINOHARA 09FEB04	Tyco Electronics Corporation Kawasaki, Japan	
DIMENSIONS: 単位: 耗 mm		CHK K.BETSUI 09FEB04	NAME 名称 4Pos. ECONOSEAL J-MARKII+ CONNECTOR PLUG HOUSING	
TOLERANCES UNLESS OTHERWISE SPECIFIED: 一般公差		APVD K.BETSUI 09FEB04	PRODUCT SPEC 製品規格	
0 PLC ± - 1 PLC ± - 2 PLC ± - 3 PLC ± - 4 PLC ± - ANGLES ± -		APPLICATION SPEC 取付適用規格	DRAWING NO 番号 A300779 C-174257	
MATERIAL 材料	FINISH 仕上	WEIGHT	RESTRICTED TO	
CUSTOMER DRAWING			SCALE 尺度 4:1	SHEET 2 OF 2
			REV F	