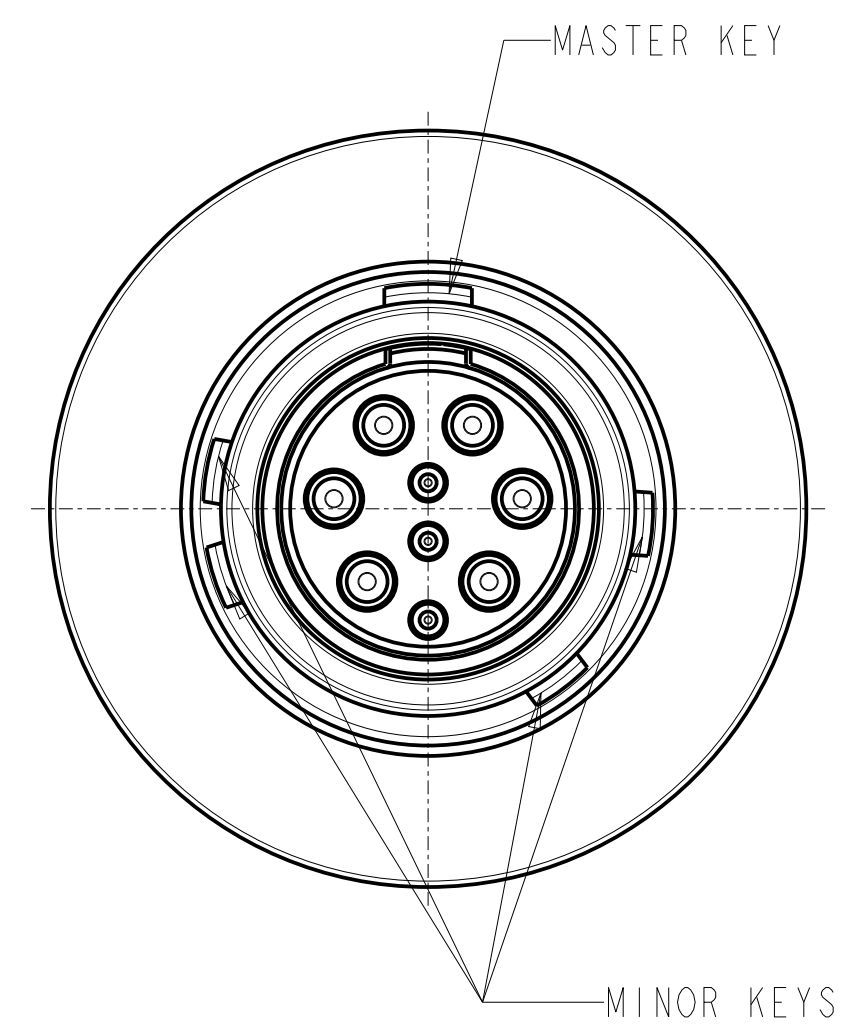


THIS IS ISSUED IN STRICT CONFIDENCE ON CONDITION THAT IT IS NOT USED AS A BASIS FOR MANUFACTURE OR SALE, AND THAT IT IS NOT COPIED, REPRINTED OR DISCLOSED TO A THIRD PARTY EITHER WHOLLY OR IN PART WITHOUT THE PRIOR WRITTEN CONSENT OF ITT CANNON.

DWG NO. 028029Y0101		SH 1	REV -	
REV	DCR	DESCRIPTION		DATE
-	-	INITIAL DRAWING RELEASE		



2 0-09 ARR
FRONT VIEW SHOWN

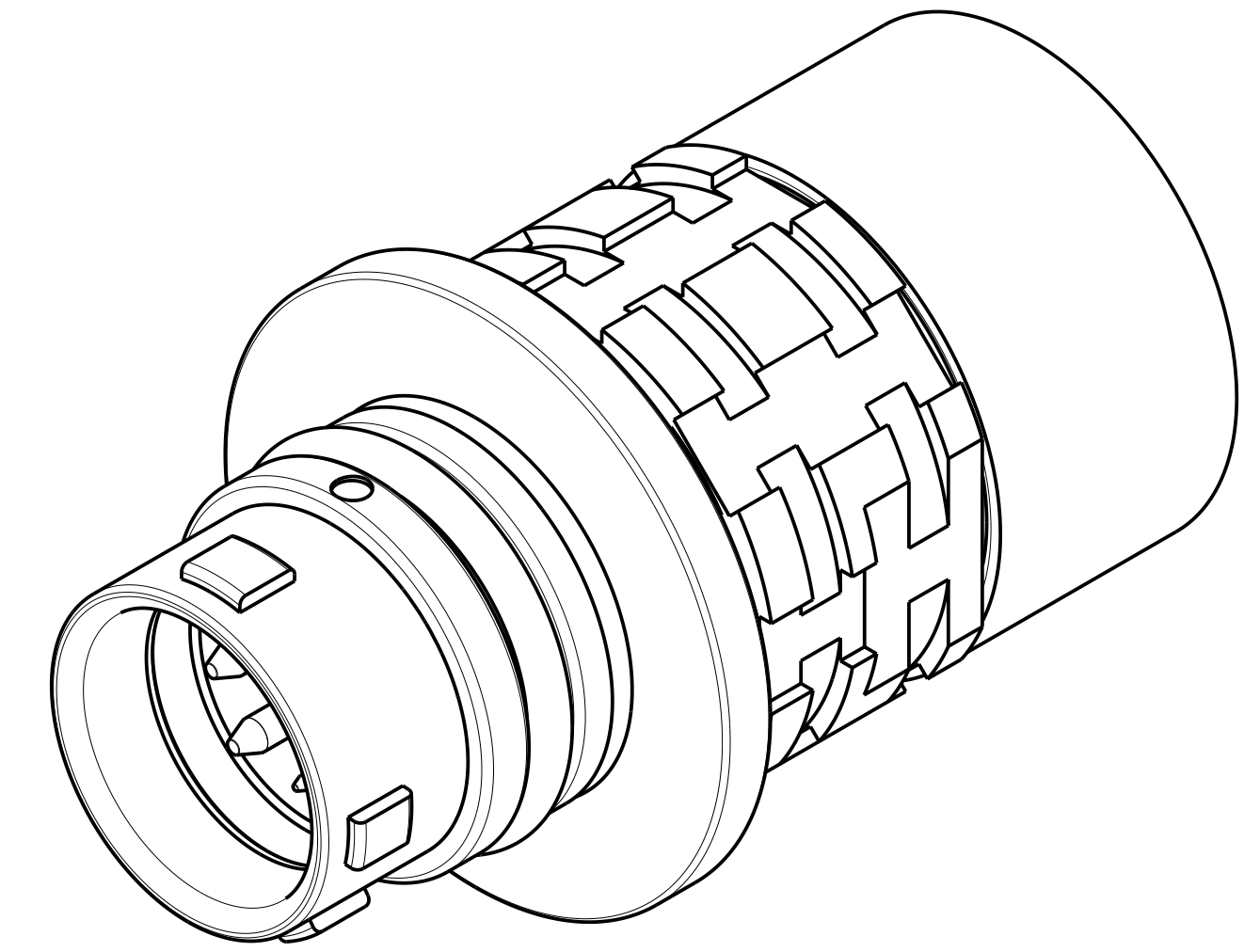
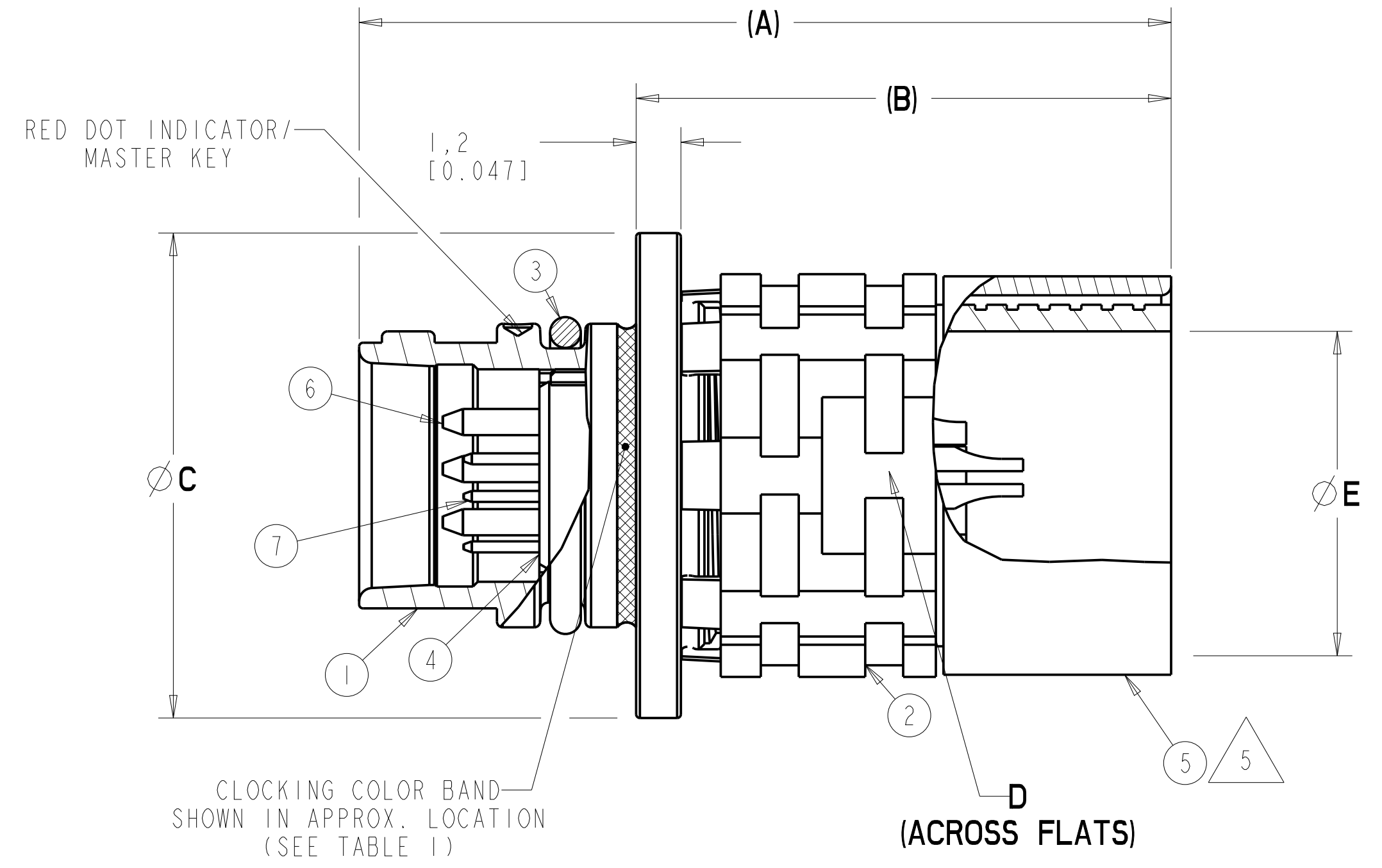


TABLE I - CLOCKING ARR.

CLOCKING	COLOR BAND
A	BROWN
B	RED
C	BLUE
D	GREEN

TABLE II - LAYOUT & DIMENSIONS

SIZE - LAYOUT	CONTACT DIAMETER	A	B	Ø C	D (ACROSS FLATS)	Ø E MAX CABLE
0-09	M - MULTI	21,5	14,2	12,8	10	7
0-12	M - MULTI	[.846]	[.559]	[.504]	[.394]	[.276]
0-16	B - 0,3mm					
1-20	M - MULTI	25,2	18,2	14,8	12	8,5
1-27	B - 0,3mm	[.992]	[.717]	[.583]	[.472]	[.335]

EXPLANATION OF PART NUMBER

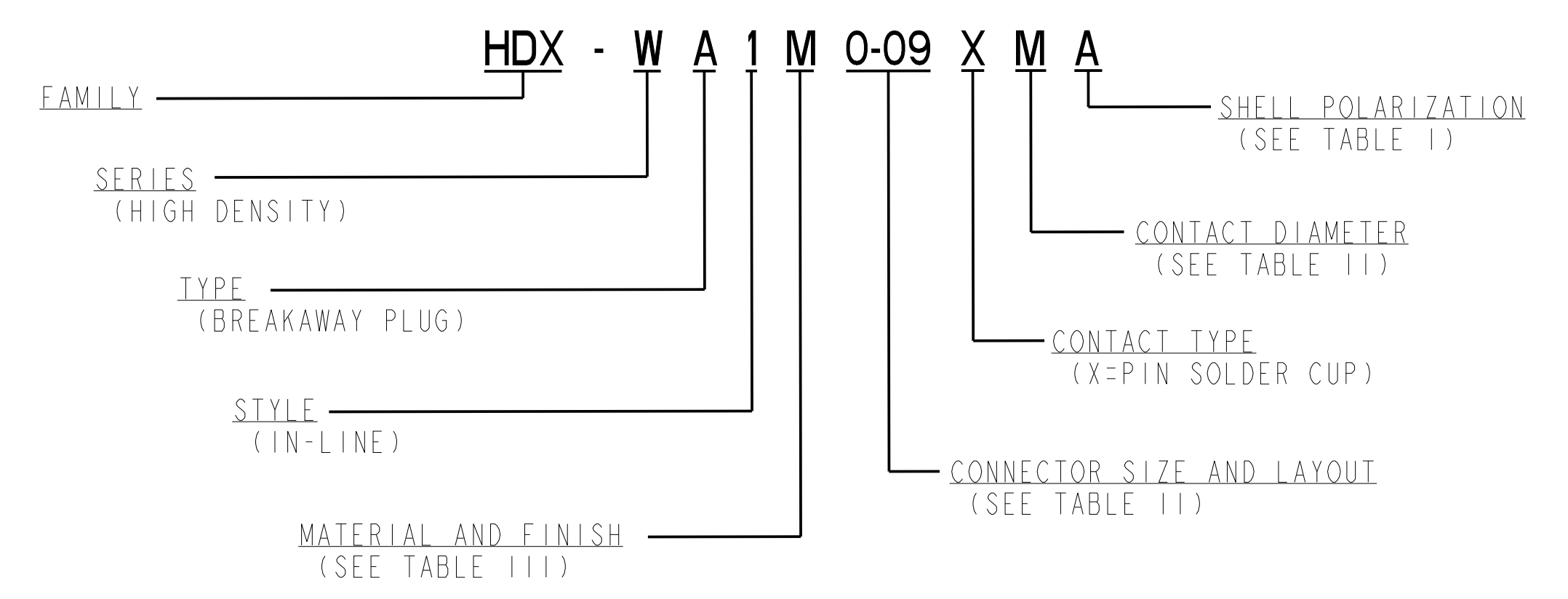


TABLE III - MATERIALS AND FINISHES

ITEM NUMBER	COMPONENT	MATERIAL	PLATING
1	PLUG BARREL	M - BRASS/ RUTHENIUM OVER ELECTROLESS NICKEL (ROH)	
2	BACKSHELL	BRASS / ELECTROLESS NICKEL	
3	O-RING	FLUOROSILICONE	N/A
4	INSULATOR	POLYETHERIMIDE, GF	N/A
5	CRIMP SLEEVE	COPPER ALLOY	ELECTROLESS NICKEL
6	POWER CONTACTS	COPPER ALLOY	GOLD OVER NICKEL
7	SIGNAL CONTACTS	COPPER ALLOY	GOLD OVER NICKEL

PERFORMANCE PROPERTIES

POWER CONTACTS, 0,7mm	AWG 22 CURRENT RATING 5A (SINGLE CONTACT)
SIGNAL CONTACTS, 0,3mm	AWG 28 CURRENT RATING 1A (SINGLE CONTACT)
INSULATION RESISTANCE	100 MΩ MINIMUM
DWV	NO BREAKDOWN AT OR BELOW 1000 VDC
RATED VOLTAGE	250V
OPERATING TEMPERATURE	-51°C TO +125°C
WATER TIGHTNESS	20m DEPTH FOR 120MIN (IPX8) PER MIL-STD-883C METHOD 512.5, PROCEDURE 1
VIBRATION	15g (SINE), 10-2,000HZ, NO DISCONTINUITY>1µs EIA-364-28F
SHOCK	50g AMPLITUDE, 1/2 SINE PULSE OF 6ms, NO DISCONTINUITY>1µs EIA-364-27C
MECHANICAL DURABILITY	5,000 MATING CYCLES

NOTES: UNLESS OTHERWISE SPECIFIED.

- DIMENSION UNITS: MM [INCH]. INCHES ARE FOR REFERENCE ONLY.
- FOR ADDITIONAL CAVITY LAYOUT INFORMATION, REF CSA-HDX.
- RECOMMENDED TORQUE FOR BACKSHELL:
(APPLICATION OF THREADLOCKER TO BACKSHELL THREADS IS RECOMMENDED.)
SIZE 0 - 0.5Nm [4.4in-lbs]
SIZE 1 - 1Nm [8.8 in-lbs]
- RECOMMENDED CRIMP DIE M22520/5-23. (FOR SIZE 0)
RECOMMENDED CRIMP DIE M22520/5-21. (FOR SIZE 1)
HAND CRIMP TOOL M22520/5-01.
- CRIMP SLEEVE TO BE SHIPPED LOOSE.
- CONSULT FACTORY FOR TOOLS AND/OR TERMINATION PROCESS.

RoHS COMPLIANCE CODE

NTC - not RoHS compliant
ROC - RoHS not hi-temp
ROH - RoHS & hi-temp (260°C)
NOTE - REFER TO TABLE/NOTES

NOTE

<p>ITT Cannon LLC 56 Technology Drive, IRVINE, CA 92618</p>	
UNLESS OTHERWISE SPECIFIED: METRIC	WEIGHT
DEFAULT ANGLE TOLERANCE IS ±1°	CRITICAL DIM ▼ 0
DEFAULT LENGTH TOLERANCE IS ±0.13 MM (±0.005 IN.)	DENSITY
REMOVE ALL BURRS AND SHARP EDGES 0.13 (±0.005) MAX.	SPC DIM ▼ 0
SURFACE FINISH SHALL BE 1.6 µM (63 WINT) RMS MAX.	VOLUME
KEY CHARACTERISTICS KEY 0	
DRAWN C. HA	DATE 02/18/22
CHECKED A. ABLOTT	DATE 04/01/22
APPROVED S. VILLARRUEL	DATE 04/01/22
UNLESS OTHERWISE SPECIFIED: METRIC	SCALE
DIMENSIONS ARE IN MM'S AND (INCHES).	8.000
DIM'S AND TOL'S ARE PER ASME Y14.5M-1994. DO NOT SCALE DRAWING.	CAGE CODE
	71468
3RD ANGLE PROJECTION	SIZE D
	USE C
	SHEET 1 / 1
	DESCRIPTION
	CONNECTOR, PLUG, ELECTRICAL HDX, INLINE BREAKAWAY PIN CONTACTS, MASTER ASSY
	PART NO VARIOUS
	DATE
	028029Y0101
	REV -

Mouser Electronics

Authorized Distributor

Click to View Pricing, Inventory, Delivery & Lifecycle Information:

ITT Cannon:

[HDX-WA1M0-09XMA](#) [HDX-WA1M0-09XMB](#) [HDX-WA1M0-09XMC](#) [HDX-WA1M0-12XMA](#) [HDX-WA1M0-12XMB](#)
[HDX-WA1M0-12XMC](#) [HDX-WA1M0-16XBA](#) [HDX-WA1M0-16XBB](#) [HDX-WA1M0-16XBC](#)