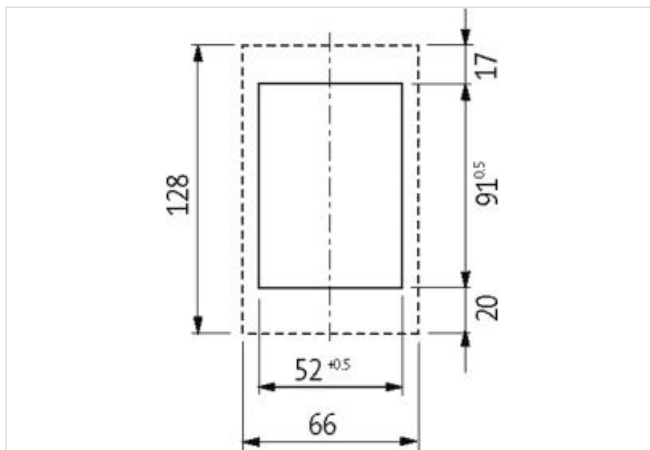
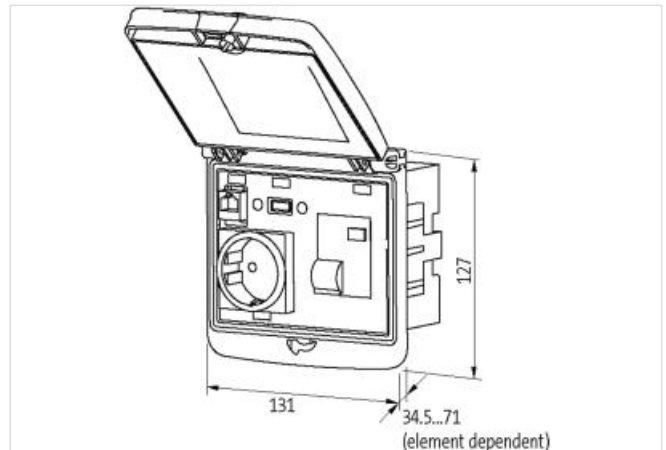


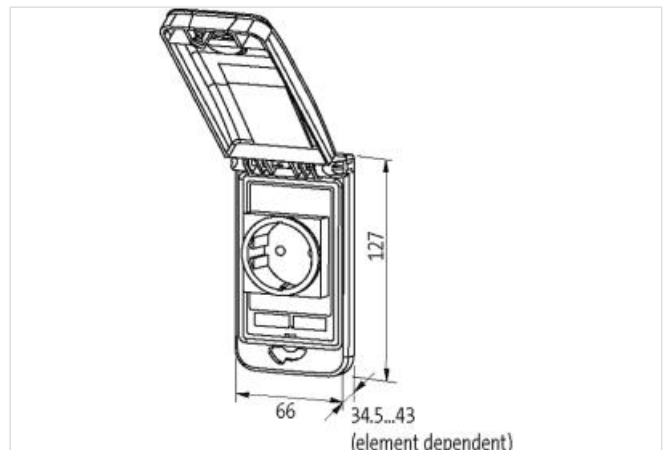
**MODLINK MSDD FRAME SINGLE METALIC**

Closure 3 mm double bit incl. pluggable knob

Frame: plastic PA black  
 Lid: plastic, ABS gray  
 Closure: 3 mm double bit  
 with attachable rotation knob

**Link to Product****Illustration**

Product may differ from Image

**Frame**

suitable for mounting with wall thickness	1...5 mm
Protection	IP65
Temperature range	-30...+70 °C (storage temperature -30...+80 °C)
Housing	Frame: plastic PA black, cap: plastic ABS metallic

**General data**

Dimensions H×W×D	127×66×43 mm
------------------	--------------

The information in this brochure has been compiled with the utmost care.

Liability for the correctness completeness and topicality of the information is restricted to gross negligence. Version: 2022-09-02

Murrelektronik Inc. | 1327 Northbrook Parkway, Suite 460 | Suwanee, GA 30024 | Fon +1 770 497-9292 | Fax +1 770 497-9391 | shop@murrinc.com | shop.murrinc.com



# Mouser Electronics

Authorized Distributor

Click to View Pricing, Inventory, Delivery & Lifecycle Information:

[Murrelektronik:](#)

[4000-68513-0000001](#)