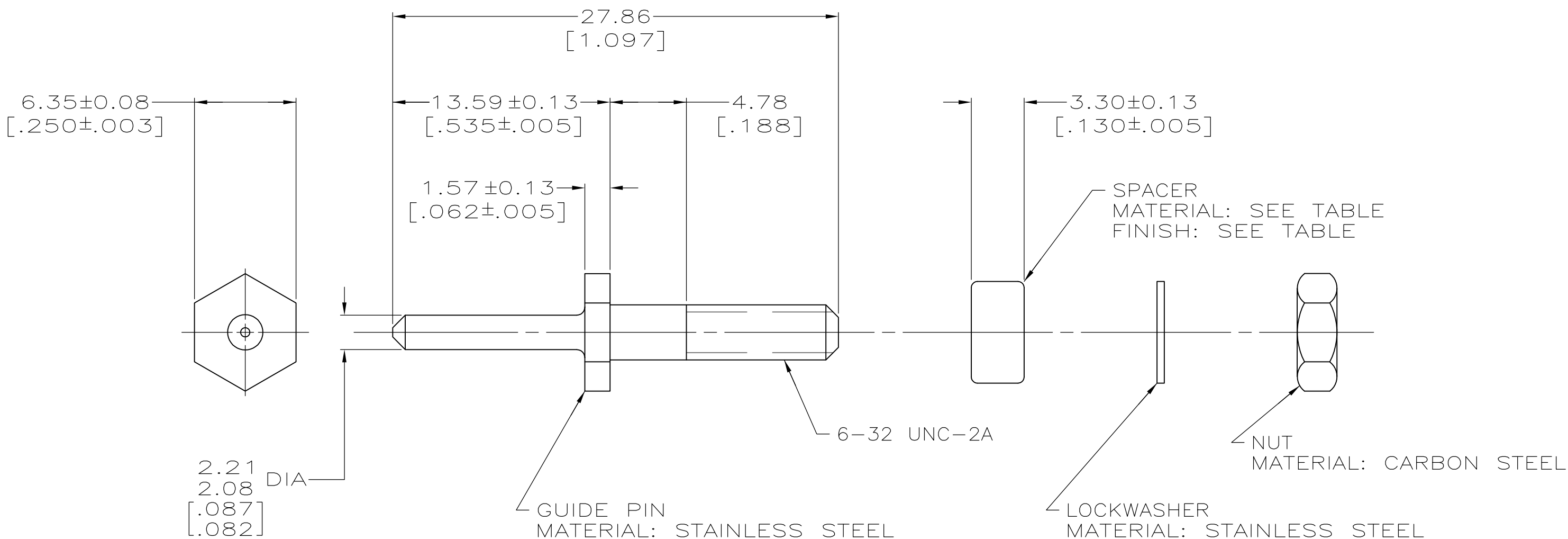


THIS DRAWING IS UNPUBLISHED. RELEASED FOR PUBLICATION
 © COPYRIGHT BY TYCO ELECTRONICS CORPORATION. ALL RIGHTS RESERVED.

LOC	DIST	REVISIONS			
P	LTR	DESCRIPTION	DATE	DWN	APVD
FT	0	T	REVISED PER ECO-10-021995	12JAN11	HMR MG



1	STAINLESS STEEL	YES	202173-8
-	-	NO	202173-7
2	BRASS	YES	202173-6
1	STAINLESS STEEL	YES	202173-5
-	-	NO	202173-1
FINISH		MATERIAL	
SPACER			PART NUMBER

SUPERSEDED BY 202173-8

SUPERSEDED BY 202173-7

- 1 PASSIVATED.
- 2 2.54um [.000100] MIN ZINC WITH HEXAVALENT CHROMIUM.

THIS DRAWING IS A CONTROLLED DOCUMENT.		DWN C.DORWART 30 AUG 95	Tyco Electronics Corporation Harrisburg, Pa 17105-3608	
DIMENSIONS: mm [INCHES]		CHK R.STONE 31 AUG 95	NAME	
TOLERANCES UNLESS OTHERWISE SPECIFIED:		APVD G.STEINHAUER 05 OCT 95	GUIDE PIN KIT, UNASSEMBLED, M SERIES	
0 PLC ± -		PRODUCT SPEC	SIZE	CAGE CODE
1 PLC ± -		APPLICATION SPEC	DRAWING NO	RESTRICTED TO
2 PLC ± 0.38 [.015]		WEIGHT	A3	00779
3 PLC ± -		CUSTOMER DRAWING	C-202173	
4 PLC ± -		SCALE	4:1	SHEET 1 OF 1
ANGLES ± -		REV	T	
MATERIAL SEE CALLOUTS		FINISH	-	

Mouser Electronics

Authorized Distributor

Click to View Pricing, Inventory, Delivery & Lifecycle Information:

[TE Connectivity:](#)

[202173-8](#)