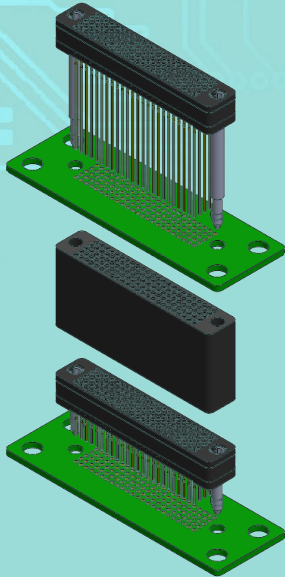


# .062" PITCH COMPLIANT PIN HD Stacker™

## Board-to-Board Spacer



### USE WITH GSTB OR GSTBL



Glennair supplies nine standard spacers ranging from .030" to .730" (.76mm to 18.54mm) to allow application designers to engineer board-to-board heights ranging from .295" (no spacer) to 1.025" (7.49mm to 26.04mm). Dielectric spacers also serve to insulate free-standing connector pins, and act as rigid standoffs in board-to-board applications.

How to Order 980-008 HD Stacker Board-to-Board Spacers			
Sample Part Number	980-008	-120	-.530
Series	980-008 = HD Stacker Board-to-Board Spacer		
Number of Contacts	40, 80, 120, 160, 200, 240, 300		
Spacer Height*	.080, .130, .230, .330, .430, .530, .630, .730, .830		

Note: Glennair HD Stacker connectors will accommodate pin-to-socket insertion tolerances on the order of -.100". Contact Glennair for custom height Spacers.

- Bridges board-to-board gaps beyond the base HD Stacker height of .295" (7.49mm)
- Specify any board-to-board height up to 1.125" (28.58 mm)

Board-to-board spacing height	Spacer Height to specify in Spacer part number	Pin Termination Length to specify in Connector part number
0.295*	N/A	0.270
0.295**	N/A	0.300
0.375	.080	0.350
0.425	.130	0.400
0.525	.230	0.500
0.625	.330	0.600
0.725	.430	0.700
0.825	.530	0.800
0.925	.630	0.900
1.025	.730	1.000
1.125***	.830	1.000

\* For use with .060"-.090" PCBs when no spacer is required  
 \*\* For use with .090"-.140" PCBs when no spacer is required  
 \*\*\* For use with .060" PCB

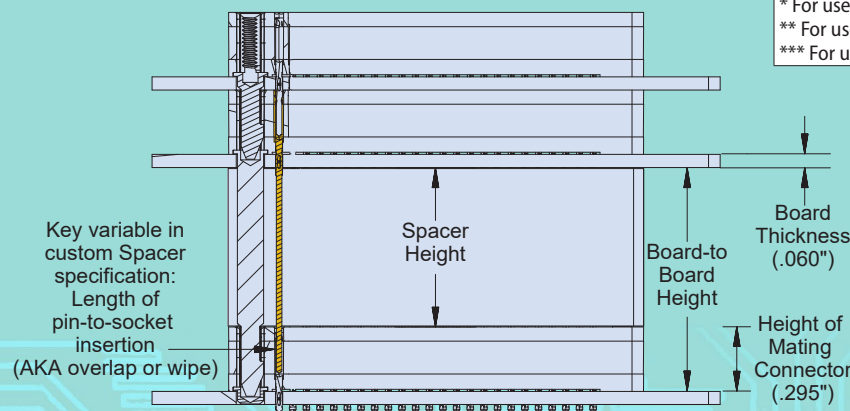


Illustration left depicts all of the standard variables affecting board-to-board height. While custom spacers are available, care must be given to ensure pin termination lengths result in adequate pin-to-socket overlap (not to be reduced in excess of .100")

# Mouser Electronics

Authorized Distributor

Click to View Pricing, Inventory, Delivery & Lifecycle Information:

## Glenair:

[980-008-40-.710](#) [980-008-120-.200](#) [980-008-120-.430](#) [980-008-120-.730](#) [980-008-80-.130](#) [980-008-120-.080](#) [980-008-120-.130](#) [980-008-120-.230](#) [980-008-120-.330](#) [980-008-120-.530](#) [980-008-120-.590](#) [980-008-120-.630](#) [980-008-200-.530](#) [980-008-200-.630](#) [980-008-40-.330](#) [980-008-40-.430](#) [980-008-40-.530](#) [980-008-40-.630](#) [980-008-40-.730](#) [980-008-80-.230](#) [980-008-80-.330](#) [980-008-80-.430](#) [980-008-80-.530](#) [980-008-80-.590](#) [980-008-80-.630](#) [980-008-80-.730](#)