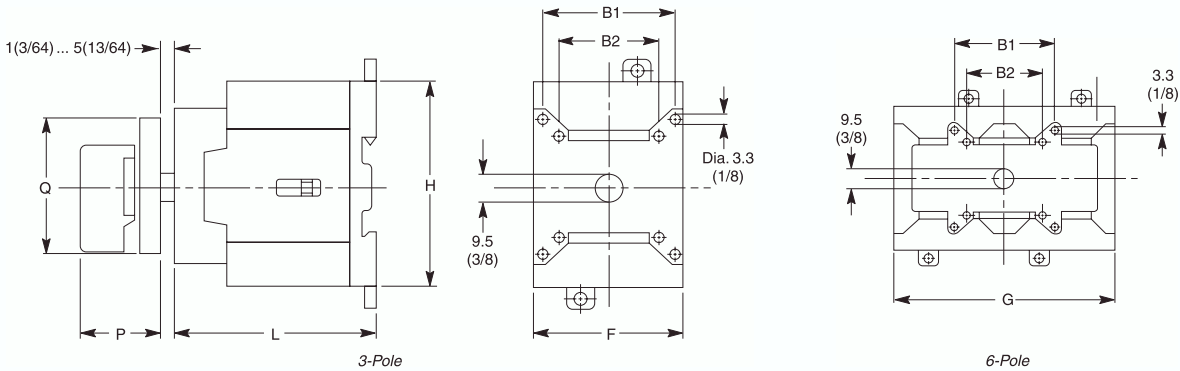


Dimensions are shown in millimeters (inches). Dimensions are not intended to be used for manufacturing purposes.

Front Installation Cat. No. 194E-E...

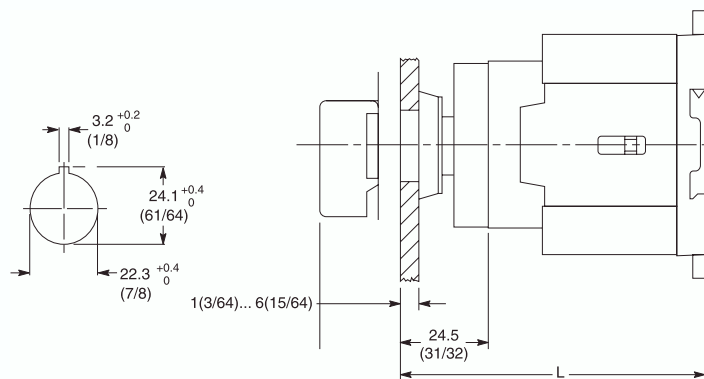


Cat. No.	Handles	
	P	Q
194L-HE4A	28 (1-7/64)	48 x 48 (1-57/64 x 1-57/64)
194L-HE4I	28 (1-7/64)	48 x 48 (1-57/64 x 1-57/64)
194L-HE4S	28 (1-7/64)	48 x 62 (1-57/64 x 2-7/16)
194E-HE4N	34 (1-11/32)	54 x 54 (2-1/8 x 2-1/8)
194E-HE4G	34 (1-11/32)	54 x 54 (2-1/8 x 2-1/8)
194L-HE6A	28 (1-7/64)	64 x 64 (2-33/64 x 3-5/64)
194L-HE6I	28 (1-7/64)	64 x 64 (2-33/64 x 3-5/64)
194L-HE6S	28 (1-7/64)	64 x 78 (2-33/64 x 3-5/64)
194L-HE6N	34 (1-11/32)	67 x 67 (2-41/64 x 2-41/64)
194L-HE6G	34 (1-11/32)	67 x 67 (2-41/64 x 2-41/64)

Use with Cat. No.	Switch Body					
	B1*	B2	F	H	L †	G
194E-E16	36 (1-27/34)	28 (1-7/64)	36 (1-37/64)	63 (2-31/64)	51 (2)	90 (3-35/64)
194E-E25/32	—	36 (1-27/64)	45 (1-25/32)	64 (2-33/64)	60 (2-3/8)	90 (3-1/2)
194E-E40/63	48 (1-57/64)	36 (1-27/64)	54 (2-1/8)	72 (2-27/32)	74 (2-29/32)	108 (4-1/4)
194E-E80/100	48 (1-57/64)	36 (1-27/64)	72 (2-27/32)	90 (3-35/64)	90 (3-35/64)	144 (5-11/16)

* Does not apply to 194E-40/63A, 6-Pole Switches
 † For 6-pole switches, add 1 in. to the "L" dimension.

Cat. No. 194E-E Switch Body with Cat. No. 194L-HC4A Handle for 22.5 mm Hole Mounting Style

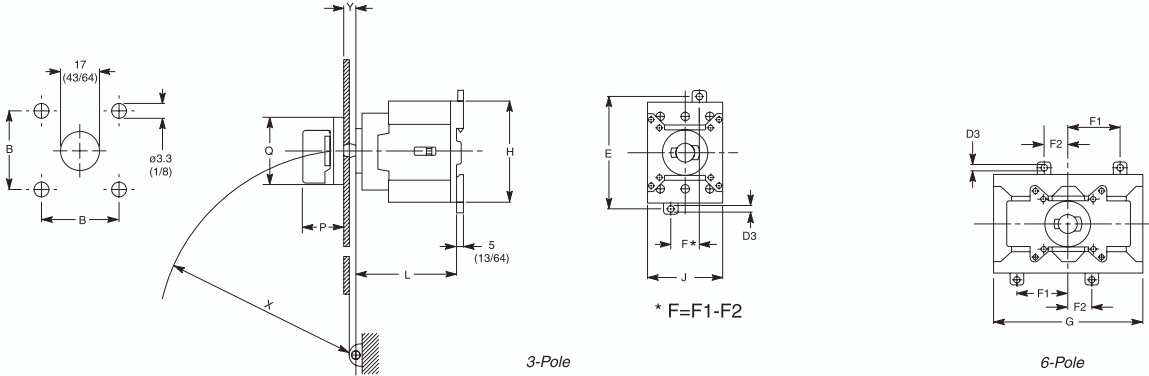


Type	L
194E-E16	76 (3)
194E-E25/32	84.5 (3-21/64)
194E-E40/63	98.5 (3-7/8)
194E-E80/100	114.5 (4-33/64)

Bulletin 194E
IEC Load Switches
 Approximate Dimensions, Continued

Dimensions are shown in millimeters (inches). Dimensions are not intended to be used for manufacturing purposes.

Base Mounting Cat. No. 194E-A...



Handles		
Cat. No.	P	Q
194L-HE4A	28 (1-7/64)	48 x 48 (1-57/64 x 1-57/64)
194L-HE4I	28 (1-7/64)	48 x 48 (1-57/64 x 1-57/64)
194L-HE4S	28 (1-7/64)	48 x 62 (1-57/64 x 2-7/16)
194E-HE4N	34 (1-11/32)	54 x 54 (2-1/8 x 2-1/8)
194E-HE4G	34 (1-11/32)	54 x 54 (2-1/8 x 2-1/8)
194L-HE6A	28 (1-7/64)	64 x 64 (2-33/64 x 3-5/64)
194L-HE6I	28 (1-7/64)	64 x 64 (2-33/64 x 3-5/64)
194L-HE6S	28 (1-7/64)	64 x 78 (2-33/64 x 3-5/64)
194L-HE6N	34 (1-11/32)	67 x 67 (2-41/64 x 2-41/64)
194L-HE6G	34 (1-11/32)	67 x 67 (2-41/64 x 2-41/64)

Cover Requirements				
For Use With	Y min.	X ≥	Y max.	X ≥
194E-A16	5 (13/64)	142 (5-19/32)	9.5 (3/8)	90 (3-35/64)
194E-A25/32	5 (13/64)	142 (5-19/32)	9.5 (3/8)	90 (3-35/64)
194E-A40/63	2.5 (7/64)	150 (5-29/32)	9.5 (3/8)	90 (3-35/64)
194E-A80/100	2.5 (7/64)	150 (5-29/32)	9.5 (3/8)	90 (3-35/64)

Switch Body								
Use With Cat. No.	D3	E	F1	F2	G	H	L*	J
194E-A16	4.5 (3/16)	70 (2-49/64)	45 (1-25/32)	12.5 (31/64)	90 (3-35/64)	63 (2-31/64)	80 (3-5/32)	36 (1-27/64)
194E-A25/32	4.5 (3/16)	70 (2-49/64)	30 (1-3/16)	15 (19/32)	90 (3-1/2)	64 (2-33/64)	59 (2-5/16)	45 (1-25/32)
194E-A40/63	4.5 (3/16)	80 (3-5/32)	37 (1-15/32)	17 (43/64)	108 (4-1/4)	72 (2-27/32)	73 (2-55/64)	54 (2-1/8)
194E-A80/100	5.6 (7/32)	95 (3-3/4)	48.5 (1-29/32)	23.5 (59/64)	144 (5-11/16)	90 (3-35/64)	89 (3-1/2)	72 (2-27/32)

† For 6-pole switches, add 1 in. to the "L" dimension.