

SPECIFICATIONS

FLUID : air or neutral gas, filtered, lubricated or not
 PORTS : G 1/4
 PRESSURE : 0 to 10 bar
 TEMPERATURE : - 25°C to + 60°C
 FLOW (Qv at 6 bar) : 860 l/min (ANR)

CONSTRUCTION

Body: treaded aluminium
 Internal parts: zinc diecasting, steel, stainless steel, acetal (POM)
 Sealings: nitrile (NBR) and polyurethane (PUR)

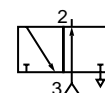
For 3/2 NC connection
 1 = Pressure
 2 = Outlet
 3 = Exhaust



CHOICE OF EQUIPMENT

Symbols functions	Operators		CODES
	Pilot	Return	
LEVER OPERATED			
	Lever - Lever detented		55102088
	Lever	Spring	55102089
PEDAL OPERATED			
	Pedal 2 positions		55102090
	Pedal	Spring	55102091
BUTTON OPERATED			
	Button	Spring	55102082
	Button push-pull		55102083

Note : this spool valve can be used in the NO version (normally open at rest). To do this, one must simply connect the pressure to port 3 and the exhaust to port 1.



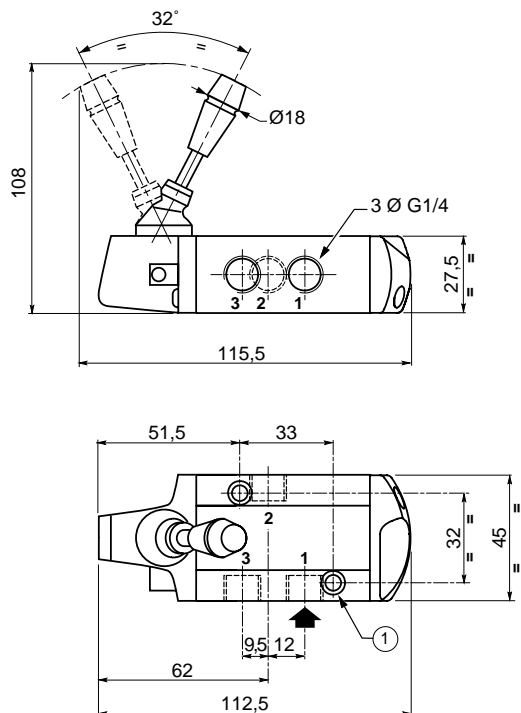
These products exist in versions 5/2 and 5/3 - see following pages

Series 551 - 3/2

DIMENSIONS AND WEIGHTS

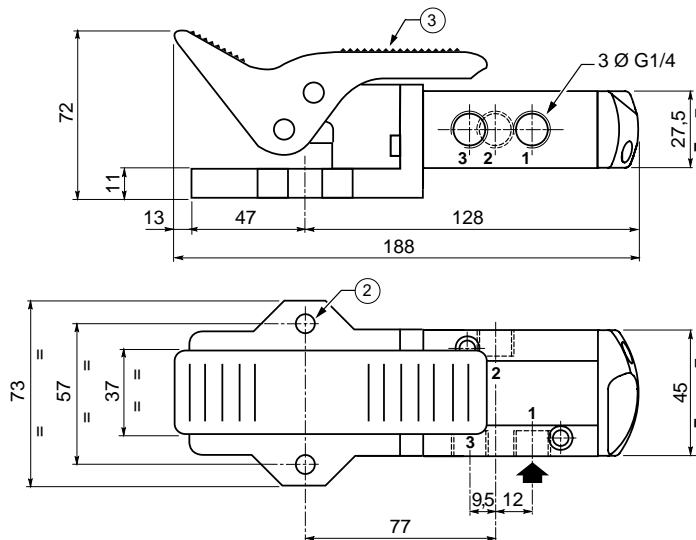
VALVE LEVER OPERATED

Weight: 0,360 kg



VALVE PEDAL OPERATED

Weight: 0,515 kg



- ① 2 fixing holes : Ø 5,3 - counterbore : Ø 9, dept 5
- ② 2 fixing holes : Ø 8,5
- ③ Return pedal 2 positions

BUTTON

BUTTON PUSH-PULL

Weight: 0,230 kg

