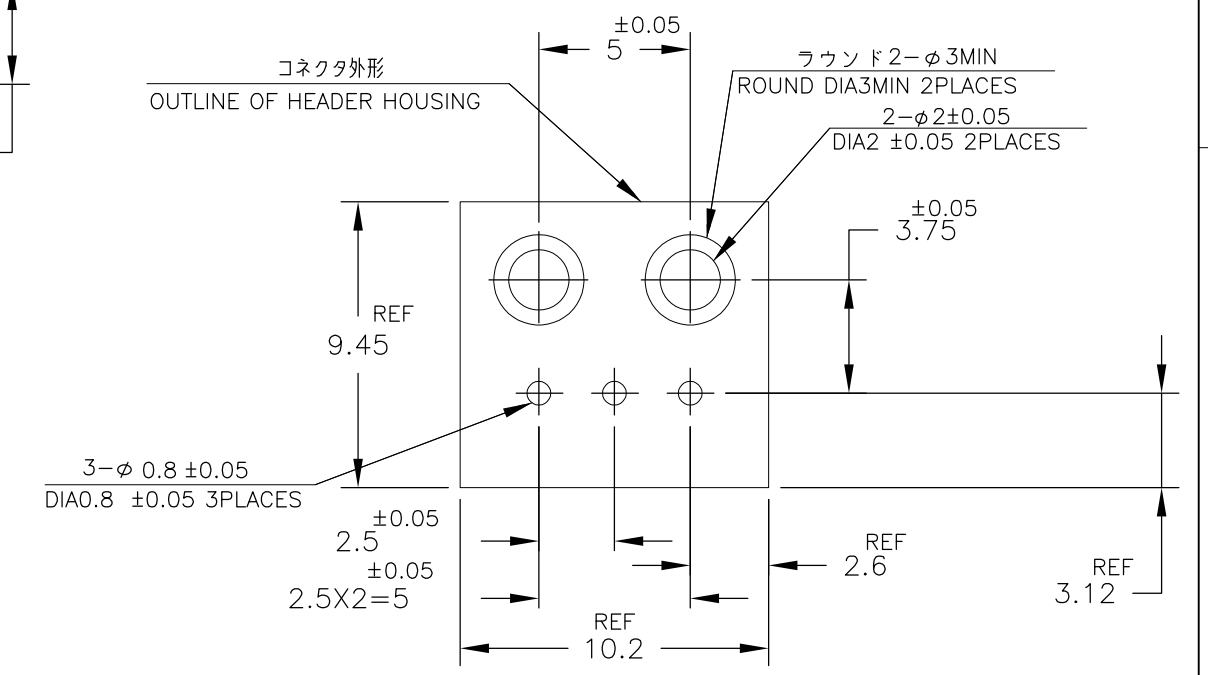
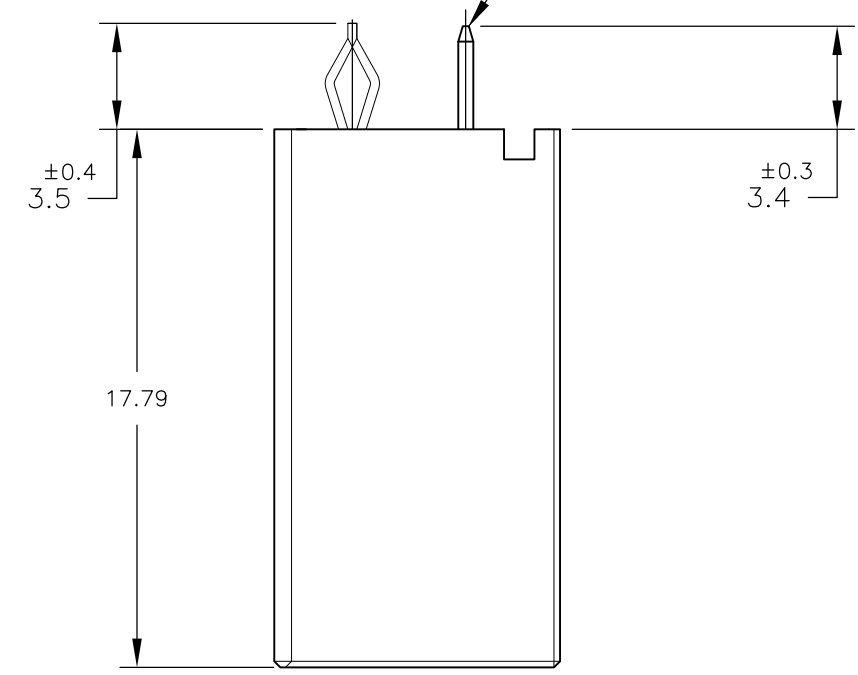
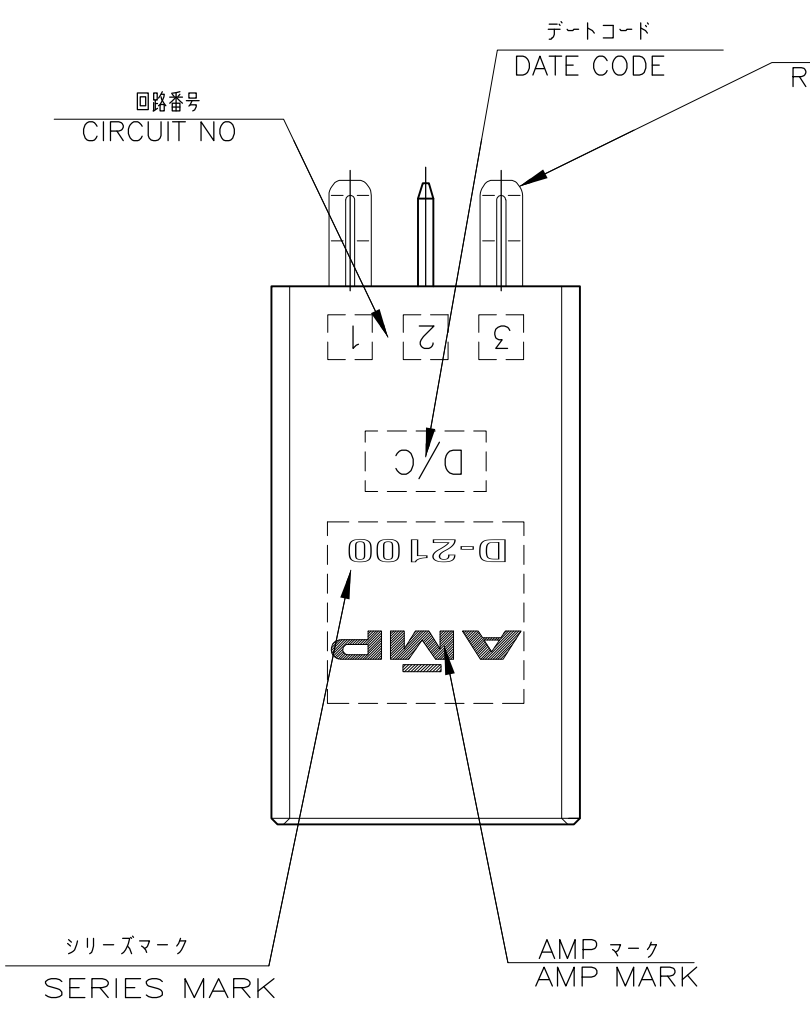


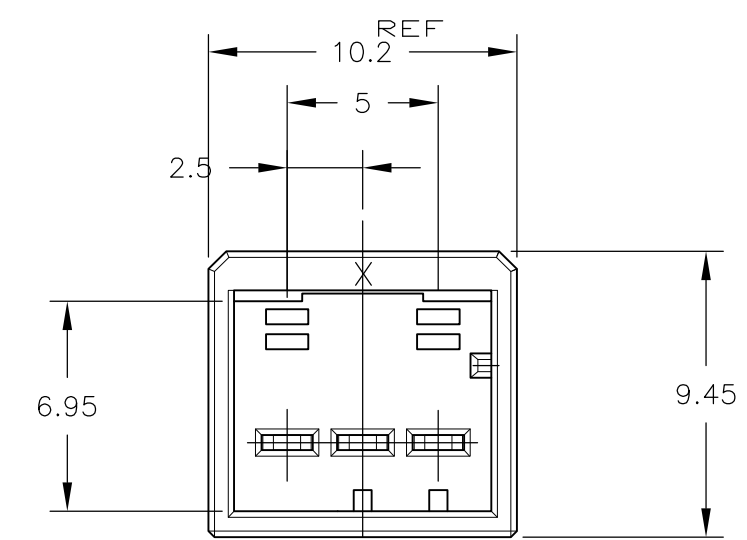
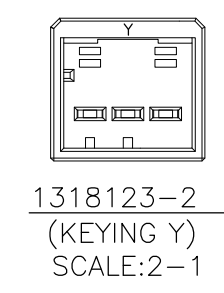
THIS DRAWING IS UNPUBLISHED. RELEASED FOR PUBLICATION
 © COPYRIGHT 2012 By Tyco Electronics Japan G.K. ALL RIGHTS RESERVED.

LOC	DIST	REVISIONS					
J	—	P	LTR	DESCRIPTION	DATE	DWN	APVD
		C		REVISED	11MAY2012	H.M	N.Y



推奨基板取付け穴寸法 (公差: ±0.05)
 PC 基板厚: 1.6 ±0.3 (コネクタ搭載面)

RECOMENDED PC BOARD HOLE PATTERN (TOLERANCE :±0.05)
 PC BOARD THICKNESS:1.6±0.3 (CONNECTOR MOUNT SIDE)



NOTES

- MATERIAL:HOUSING:GLASS FILED THERMO PLASTIC POLYESTER(94V-0)
 TAB CONTACT:COPPER ALLOY
 RETENTION LEG:BRASS
- △ FINISH(CONTACT AREA):0.38μmMIN GOLD PLATING OVER Ni PLATING
- △ FINISH(RETENTION LEG): TIN PLATED (CONTACT TAIL) OVER NICKEL

注記

- 材料:ハウジング:ガラス入り熱可塑性ポリエステル樹脂 (94V-0)
 タブ コンタクト:銅合金
 リテンション レグ:黄銅
- めっき:コンタクト:全面Ni下地
 接触部:0.38μmMIN金めっき
- めっき:リテンションレグとコンタクト半田付部:ニッケル下地の上にスズめっき

Y	NATURAL	9-1318123-2
Y	BLACK	1318123-2
X	BLACK	1318123-1
KEY	COLOR	PART No.

THIS DRAWING IS A CONTROLLED DOCUMENT.		DWN K.IKEDA 07DEC1998	TE Connectivity	
DIMENSIONS: mm		CHK N.MATSUBARA 07DEC2012		
TOLERANCES UNLESS OTHERWISE SPECIFIED:		APVD I.HASEGAWA 07DEC2012	NAME SINGLE ROW HEADER ASSY 3P V-TYPE DYNAMIC D-2100D	
0 PLC ± 10 ± 0.3 1 PLC ± 30 ± 0.35 2 PLC ± 100 ± 0.4 3 PLC ± 4 PLC ± ANGLES ± 3°		PRODUCT SPEC 108-5619	RESTRICTED TO	
MATERIAL SEE NOTE		APPLICATION SPEC 114-5258	SIZE A3	CAGE CODE 00779
FINISH SEE NOTE		WEIGHT	DRAWING NO C-1318123	REV C
CUSTOMER DRAWING			SCALE 4:1	SHEET 1 OF 2

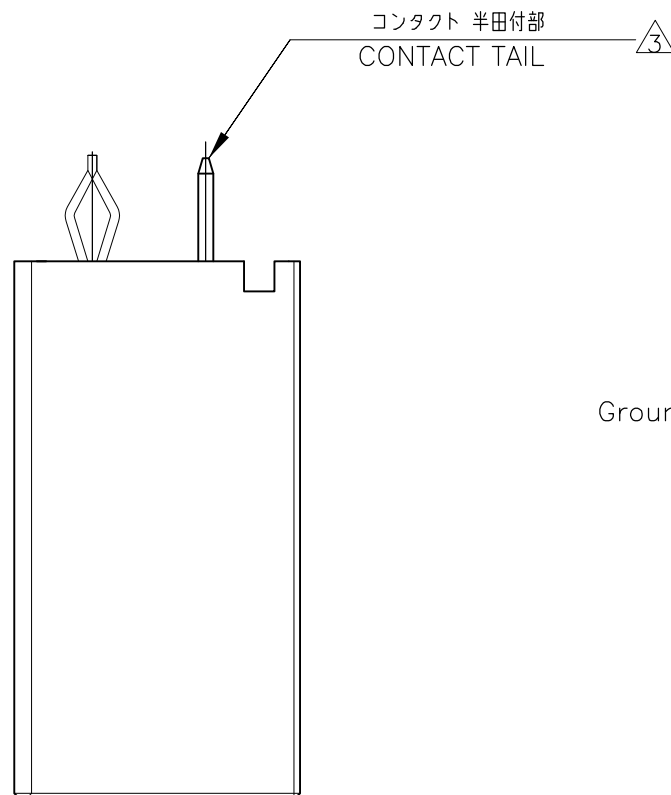
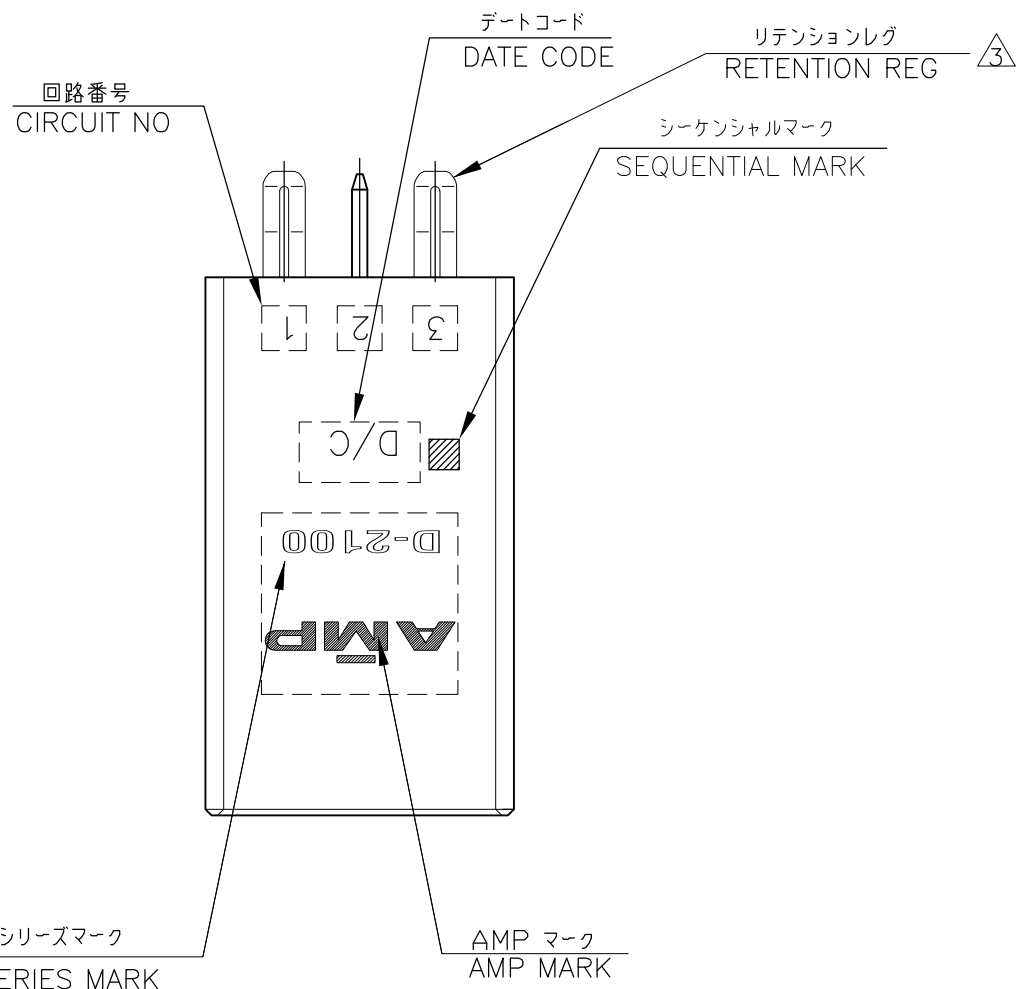
THIS DRAWING IS UNPUBLISHED.

RELEASED FOR PUBLICATION

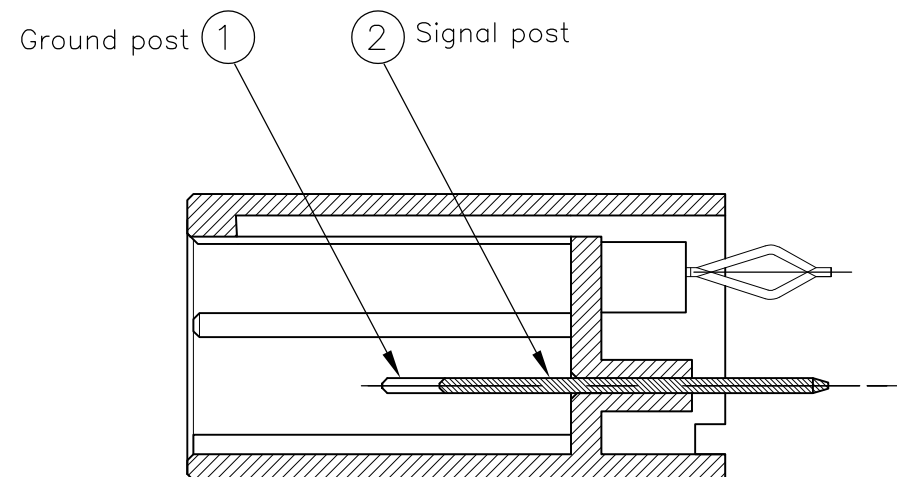
© COPYRIGHT 2012 By Tyco Electronics Japan G.K.

ALL RIGHTS RESERVED.

LOC	DIST	REVISIONS					
J	—	P	LTR	DESCRIPTION	DATE	DWN	APVD
		—		SEE SHEET 1	—	—	—

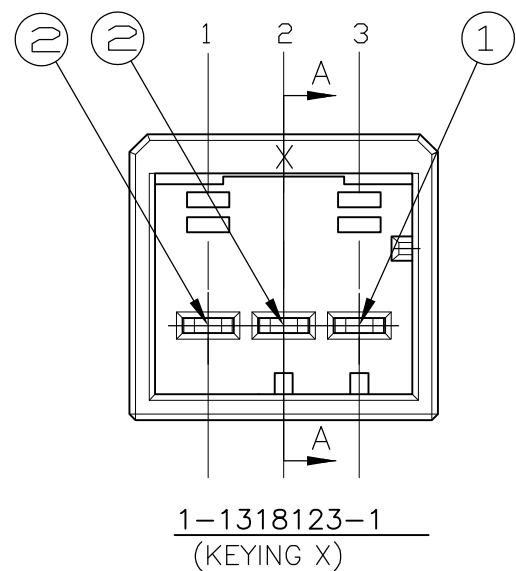


1-1318123-1;AS SHOWN SEQUENTIAL TYPE



	回路番号		
	1	2	3
1列	② Signal	② Signal	① Ground

POINT OF SEQUENTIAL
1-1318123-1
(KEYING X)



NOTES

- 1. MATERIAL:HOUSING:GLASS FILED THERMO PLASTIC POLYESTER(94V-0)
TAB CONTACT:COPPER ALLOY
RETENTION LEG:BRASS
- △ FINISH(CONTACT AREA):0.38μmMIN GOLD PLATING OVER Ni PLATING
- △ FINISH(RETENTION LEG): TIN PLATED (CONTACT TAIL) OVER NICKEL

注記

- 1. 材料:ハウジング:ガラス入り熱可塑性ポリエステル樹脂 (94V-0)
タブ コンタクト:銅合金
リテンションレグ:黄銅
- △ めっき:コンタクト:全面Ni下地
接触部:0.38μm MIN金めっき
- △ めっき:リテンションレグとコンタクト半田付部
:ニッケル下地の上にスズめっき

X	BLACK	1-1318123-1
KEY	COLOR	PART No.

THIS DRAWING IS A CONTROLLED DOCUMENT.		DWN K.IKEDA 07DEC1998	TE Connectivity			
DIMENSIONS: mm		CHK N.MATSUBARA 07DEC2012				
TOLERANCES UNLESS OTHERWISE SPECIFIED:		APVD I.HASEGAWA 07DEC2012	NAME SINGLE ROW HEADER ASSY 3P V-TYPE DYNAMIC D-2100D			
0 PLC 1 PLC 2 PLC 3 PLC 4 PLC ANGLES FINISH		PRODUCT SPEC 108-5619 APPLICATION SPEC 114-5258 WEIGHT	SIZE A3	CAGE CODE 00779	DRAWING NO C-1318123	RESTRICTED TO —
MATERIAL SEE NOTE		CUSTOMER DRAWING		SCALE 4:1	SHEET 2 OF 2	REV C

Mouser Electronics

Authorized Distributor

Click to View Pricing, Inventory, Delivery & Lifecycle Information:

[TE Connectivity:](#)

[1318123-1](#)