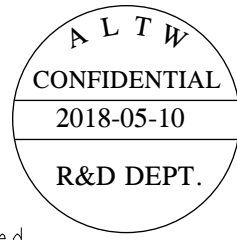
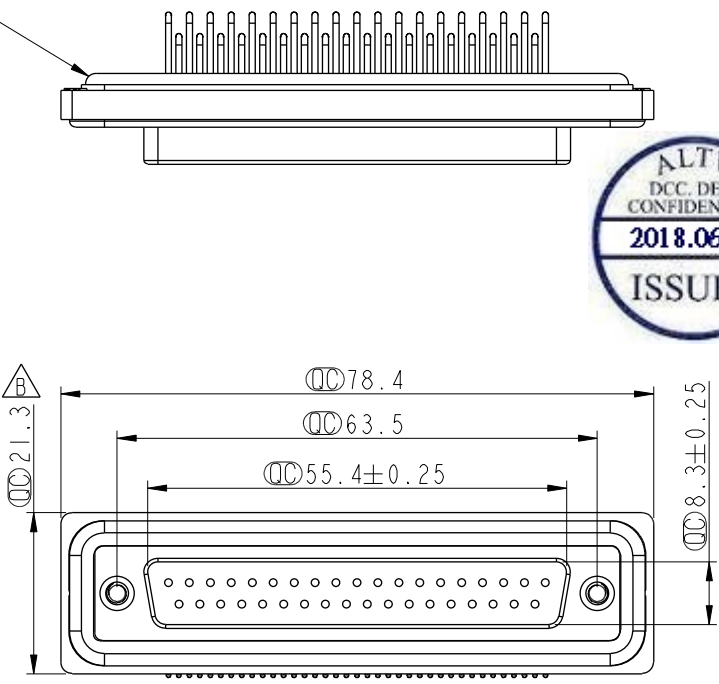
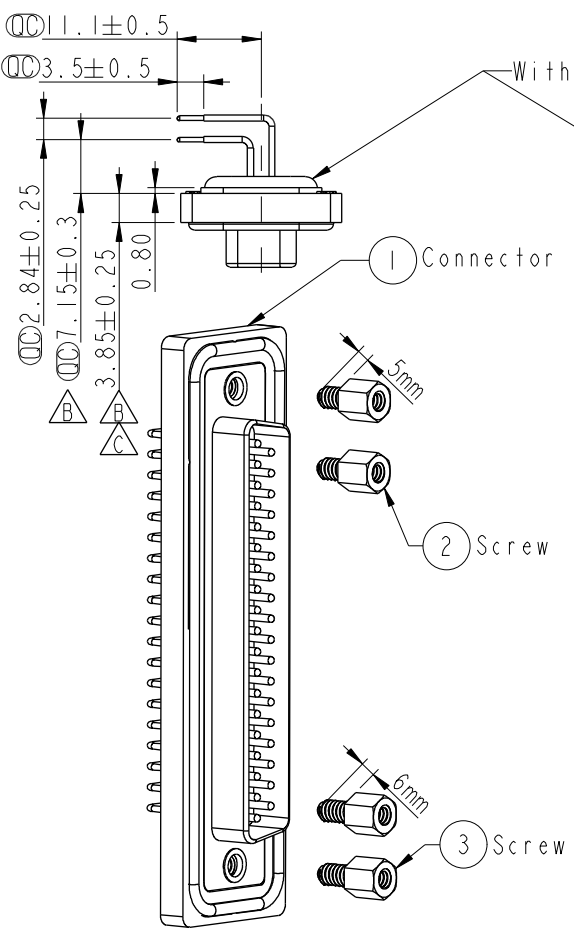
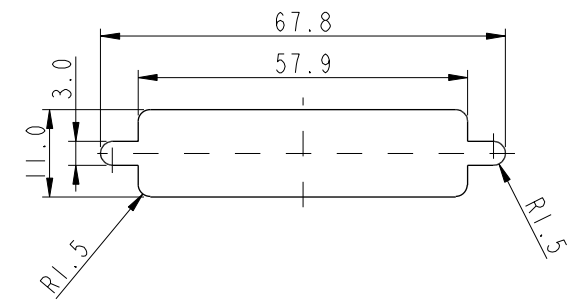


REV.	ECN NO.	DATE	SIGN	DESCRIPTION
B	LEN13B0242	2013/11/12	SAM	Change Dimension
C	LEN1860065	2018/05/10	Richard	Modify Dimension

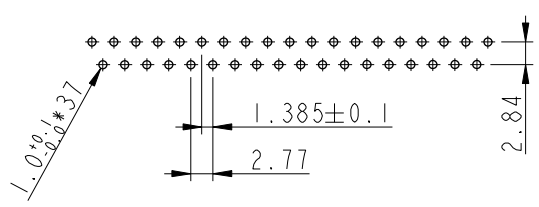


Screw L=5.0 For Panel Thickness Under 1.2mm
適用板厚為 1.2mm 以下

Screw L=6.0 For Panel Thickness Between 1.2~2.0mm
適用板厚為 1.2~2.0mm



Recommended Panel Cut-Out
建議挖孔尺寸



37 Pin Male Connector
PCB Pin Layout

- Note:
- * \varnothing Important Dimension.
 - * Waterproof Rate : IP67
 - * Do Mating Test After Glued
點膠後，須作對插測試
 - * D-SUB Conn. : PBT, Black Core
 - * Plastic Jacket : Nylon+GF, Black
 - * Male Pin : Copper Alloy, Gold Plated
 - * Ring : Light Silicone, Blue
 - * Screw : Copper Alloy, Nickel Plated, #4-40 UNC

UNIT:mm	
TOLERANCE	± 0.5 mm

TITLE D-Sub Conn. 37 Pins PCB Type Panel Screw DB37P M Conn M Pin			
SCALE 1:1	SIZE A4	SHEET 1 OF 1	
REV. C	WC-REV. A.5	\varnothing : Inspection item	

Amphenol LTW
安費諾亮泰企業股份有限公司

ITEM NO SDB-37PMMP-SR7001	DRAWN BY Richard	DATE 2018-05-10
DWG NO SDB-37PMMP-SR7001	CHECKED BY Neo	DATE 2018-05-10
CUSTOMER ALTW	APPROVED BY Max	DATE 2018-05-10

THIS DOCUMENT IS SUBJECT TO CHANGE WITHOUT NOTICE. IT IS CONFIDENTIAL AND A PROPERTY OF Amphenol LTW. DISCLOSURE TO THIRD PARTY HAS TO BE AUTHORIZED BY Amphenol LTW.

Mouser Electronics

Authorized Distributor

Click to View Pricing, Inventory, Delivery & Lifecycle Information:

[Amphenol:](#)

[SDB-37PMMP-SR7001](#)