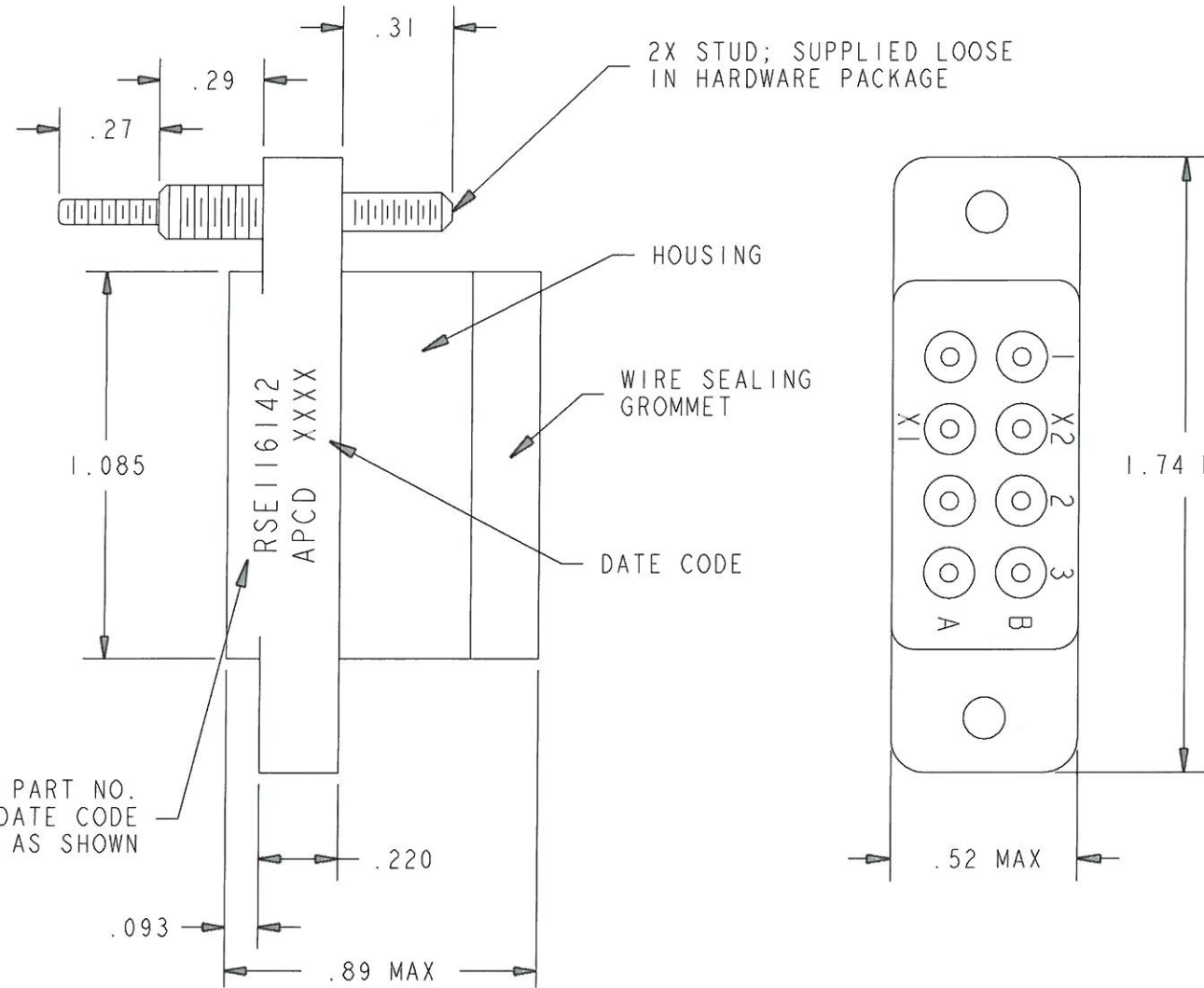
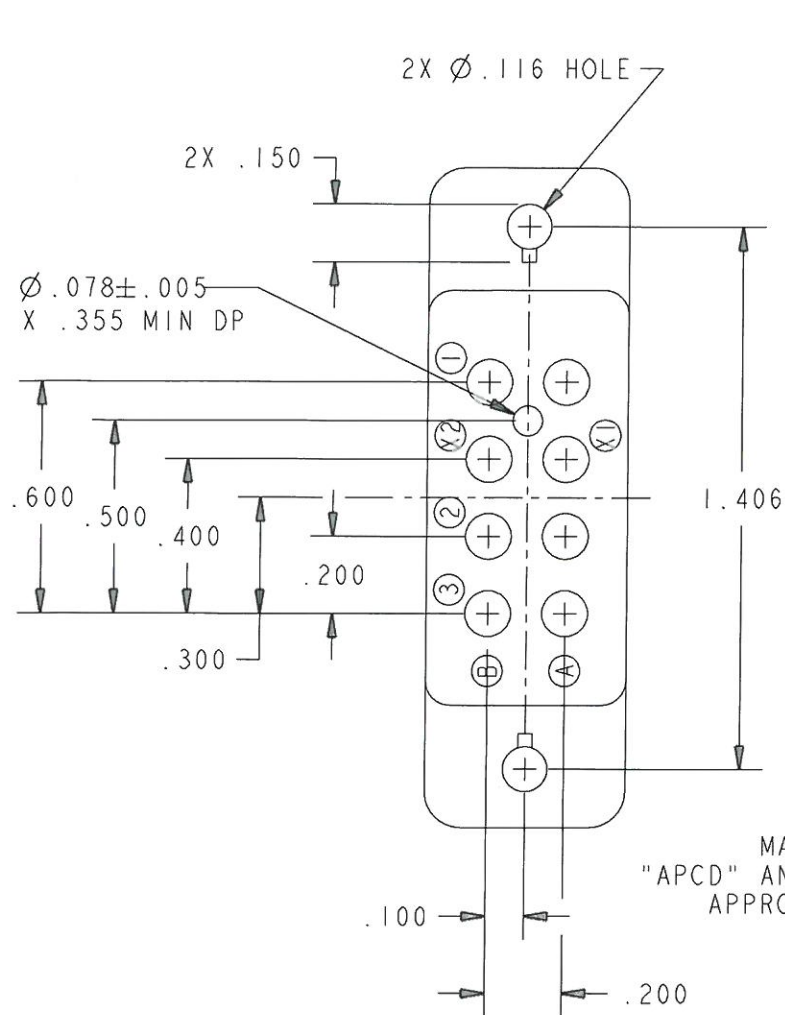


RSE116142

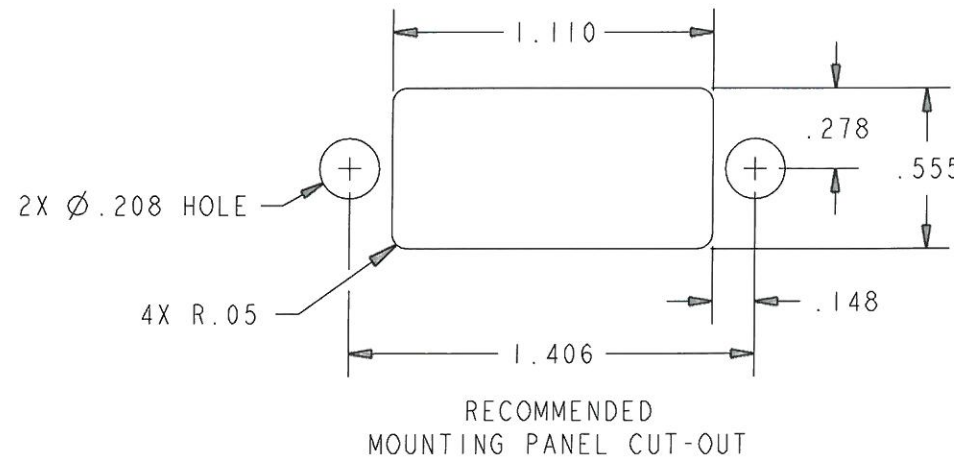
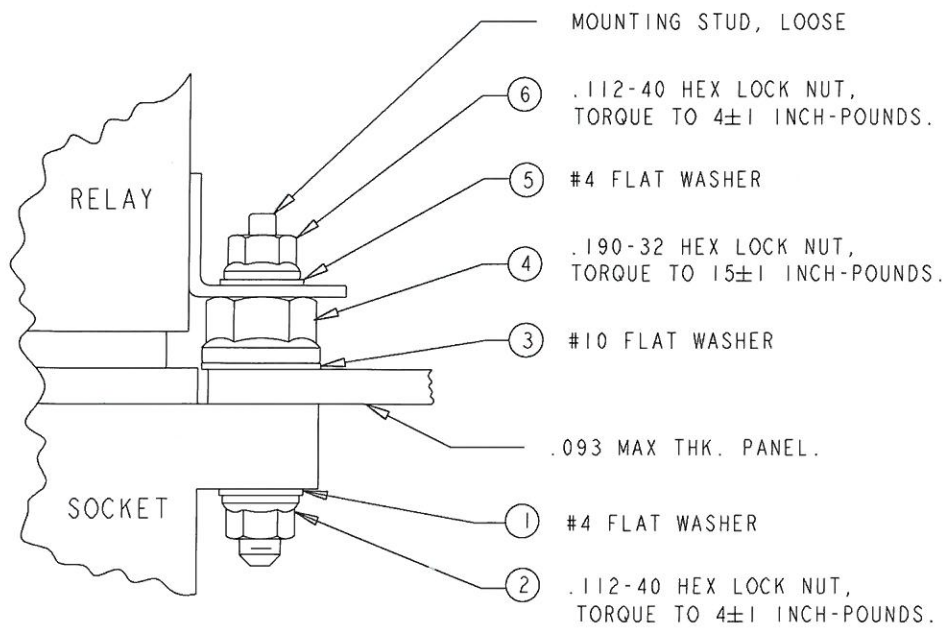
REV	ECN	DESCRIPTION	APP'D
Q	5430	CORRECT HDWR BOM	JT 8-22-04
R	6642	CORRECT STUD; 200001701 TO -7901	MD 12-13-10
S	6792	CHNG HDWR BOM	MD 2/6/12



MARK PART NO. "APCD" AND DATE CODE APPROX. AS SHOWN

NOTES:

- CONFORMS TO PERFORMANCE REQUIREMENTS OF MIL-DTL-12883.
- MATERIALS:
  - A. HOUSING - POLYETHERIMIDE, COLOR: GREEN.
  - B. GROMMET - SILICONE ELASTOMER, COLOR: RED.
- SOCKET CONTACTS CONFORM TO PERFORMANCE REQUIREMENTS OF SAE-AS39029, GOLD OVER NICKEL PLATE.
- COMPLETE MOUNTING HARDWARE SUPPLIED.
- SOCKET CONTACTS SUPPLIED: (8) SZ 16/20, P/N CNS127900.
- OPERATING TEMPERATURE: +125°C/-65°C CONTINUOUS.
- CONTACT INSTALLATION TOOLS:
  - CRIMP TOOL: M22520/1-01
  - POSITIONER: M22520/1-02
  - INSERTION/REMOVAL: M81969/14-03.



MOUNTING HARDWARE  
INSTALLATION SEQUENCE BY ITEM NUMBER  
TYP 2 PLACES

BILL OF MATERIAL		
P/N	DESCRIPTION	QTY
200007901	MTG STUD PSVTD #501	2
20000401	FLT WASHER #4	4
200003801	STL HEX NUT SLF LKG #4-40	4
200002951	FLT WSHR #10	2
200002501	HEX NUT SLF LKG 10-32 MS21042	2
CNS127900	M39029/92-534 CONTACT SZ 16/20	8
005111400	3.5" DRAM UNCAPPED VIAL/CAP	1

DIMENSIONS ANSI Y14.5M UNITS: INCHES ACAD FILE	PROJECTION 	Amphenol PCD SPECIFICATION DRAWING ENGR A. PATRIE 9/19/97 CHKD APPD <i>[Signature]</i> 2/6/12	TITLE RELAY SOCKET 8 POS - SIZE 16/20	
ORIGINAL 	THIS DOCUMENT CONTAINS PROPRIETARY INFORMATION WHICH IS THE CONFIDENTIAL PROPERTY OF APCD, INC. BEVERLY, MA, USA		SIZE B	DWG NO. RSE116142
		CODE: 58982	SCALE: 2:1	REV S SHEET 1 OF 1

RSE116142

RSE116142

# Mouser Electronics

Authorized Distributor

Click to View Pricing, Inventory, Delivery & Lifecycle Information:

[Amphenol:](#)

[RSE116142](#)