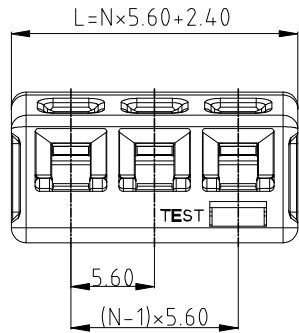
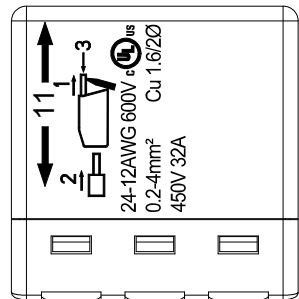
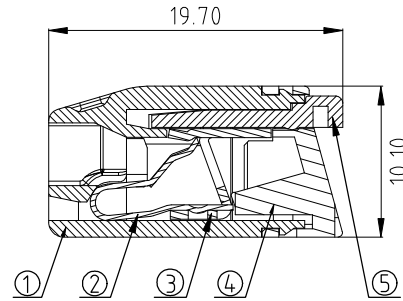


REV	SIGN	DATE	DESCRIPTION	APPROVER
B		2020.04.17	Initial Release	
THIS IS CAD DRAWING, DO NOT REVISE MANUALLY!!!				



(N= NUMBER OF POLES)



### Electrical

- Voltage rating: UL 600V (IEC 450V)
- Current rating: UL 35A (IEC 32A)
- Wire range: 0.2-4mm<sup>2</sup>
- Solid wire(AWG): 12-24
- Stranded wire(AWG): 12-24
- Wire strip length: 11-12mm
- Withstanding Voltage: 3.4KV
- Insulation resistance: 500MΩ@DC500V
- Operating temperature: -40 to +85°C
- Safety Approval: UL to be certified
- Poles: 2P, 3P, 5P

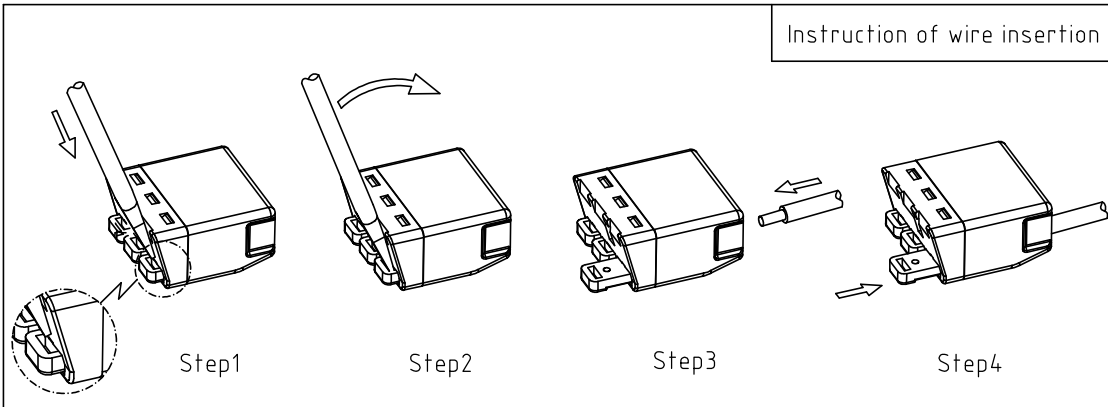
### Material

- Item ① Terminal housing: PC
- Item ② Terminal Clamp: Stainless steel
- Item ③ Conductor: Copper
- Item ④ Terminal Cover: PC
- Item ⑤ Terminal lever: PA66

N3 XX 00 X 0 XXXX G

No. of Poles: 02 2 Poles, 03 3 Poles, 05 5 Poles  
 Lever Color: 3 Orange  
 RoHS compliant (lead<4%)  
 0000: "@" Mark (Standard)

### Instruction of wire insertion



Amphenol ANYTEK		CUSTOMER COPY		
<small>ALL RIGHTS RESERVED. REPRODUCTION OR ISSUE TO THIRD PARTIES IN ANY FORM WHATSOEVER IS NOT PERMITTED WITHOUT WRITTEN AUTHORITY FROM THE PROPRIETOR. PROPERTY OF ANYTEK TECHNOLOGY CO., LTD</small>				
TITLE	N3 Pitch5.60 2P/3P/5P 本體透明(PC) 壓板橙色(NL66)			
PART NO.	N3xx00300000G	DWG NO.	8N30002	
APPROVED	CHECKED	DESIGNED	DRAWN	CUST NO.
		Devin 2020.04.17	Devin 2020.04.17	
				Tolerance X. ±0.50 X.X ±0.30 X.XX ±0.10 X° ±1°
		SHEET: 01/01		UNIT: mm SCALE: 2:1 REV.: B

# Mouser Electronics

Authorized Distributor

Click to View Pricing, Inventory, Delivery & Lifecycle Information:

[Amphenol:](#)

[N30300300000G](#) [N30500300000G](#) [N30200300000G](#)