



**BOARD LEVEL COOLING - Channel 5700**

Channel 5700 is a series of channel board level heat sinks designed to cool TO-202 devices. Representative image only.

**ORDERING INFORMATION**

Part Number	Device Type
576904B00000G	TO-202
577304B00000G	TO-202
577404B00000G	TO-202



**HEAT SINK DETAILS**

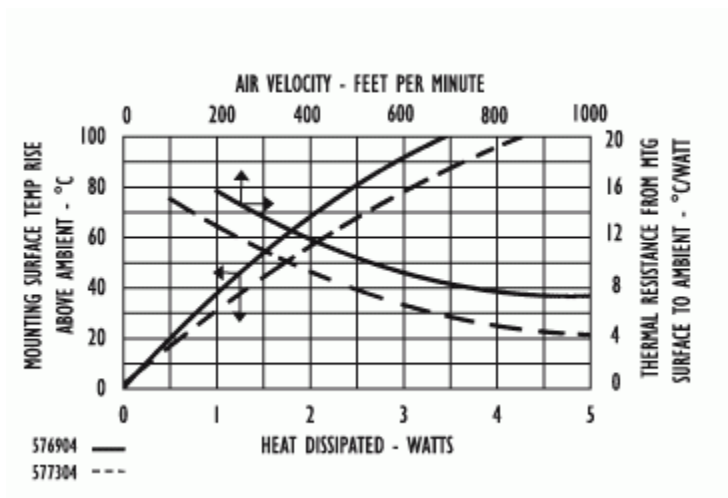
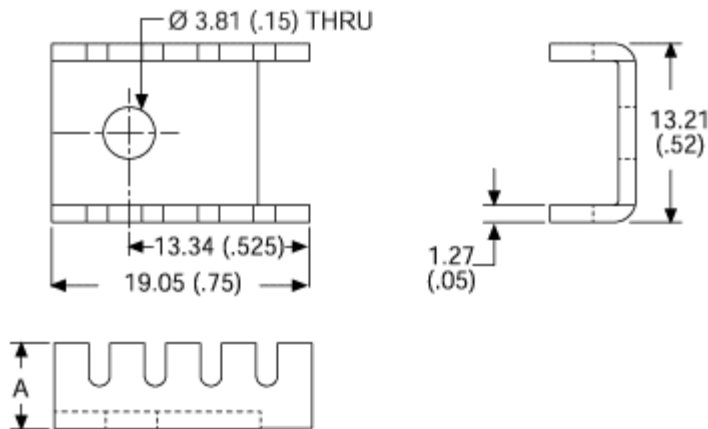
Property	Details
Material	Aluminum
Finish	Black Anodize
Device Attachment Options	Requires Mounting Kit
Thermal Interface Material	-

Property	Details
Heat Sink Width (mm)	13.21
Heat Sink Length (mm)	See "A" Dim below
Heat Sink Height (mm)	19.05
Heat Sink Mounting Direction	Horizontal, Vertical

**MECHANICAL & PERFORMANCE**

Drawing dimensions are shown in mm, (in)

Part Number	"A Dim"
576904B00000G	6.35
577304B00000G	9.53
577404B00000G	12.7



# Mouser Electronics

Authorized Distributor

Click to View Pricing, Inventory, Delivery & Lifecycle Information:

[Aavid:](#)

[577304B00000G](#)