

RJ45, Single Port, Tap Up, SMD, 100 Base-T



16.10 x 13.61 x 25.40mm

ARJE-0034

RoHS/RoHS II Compliant

Moisture Sensitivity Level = 1

FEATURES:

- Compliant with IEEE802.3 standard
- 350uH minimum OCL with 8mA bias current
- High performance for maximum EMI suppression
- High reliability – 750 mating/unmating cycles

APPLICATIONS:

- Supports 100 Base-T applications such as Set Top Box and Network Interface Card.
- Provides signal conditioning, EMI suppression and signal isolation

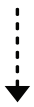
STANDARD SPECIFICATIONS

Operating temperature range: -40°C to +85°C Storage temperature range: -40°C to +85°C

Parameters	Minimum	Typical	Maximum	Units	Notes
Turn Ratio (±3%)	1CT:1CT				
Inductance	350			uH	100kHz, 0.1Vrms, 8mADC
DCR			1.2	Ω	
Insertion Loss			-1.0	dB	1-100MHz
Return Loss	-18			dB	1-30MHz
	-15				30-60MHz
	-12				60-100MHz
Crosstalk	-40			dB	1-30MHz
	-35				30-60MHz
	-30				60-100MHz
CMRR	-30			dB	1-50MHz
	-20				50-100MHz
Hipot	1500			Vrms	Pri to Sec

PART IDENTIFICATION:

ARJE-0034-



Tin Plating Finish Option
Blank – Standard (Bright Tin)
MT – Optional (Matt Tin)

RJ45, Single Port, Tap Up, SMD, 100 Base-T

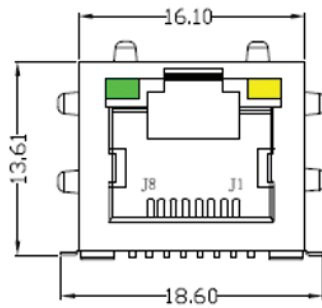
ARJE-0034

RoHS/RoHS II Compliant

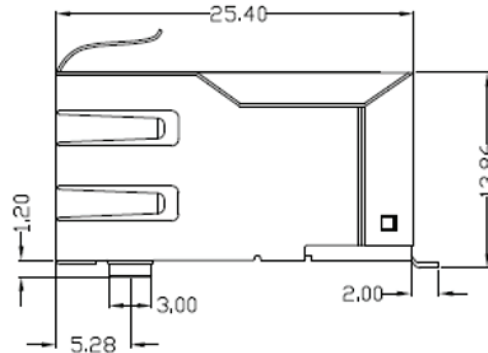


16.10 x 13.61 x 25.40mm

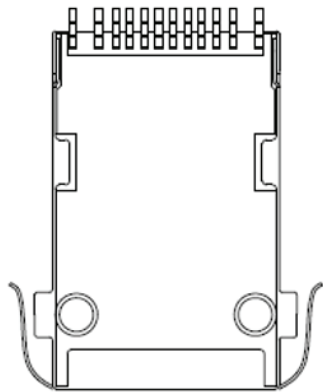
MECHANICAL DIMENSIONS:



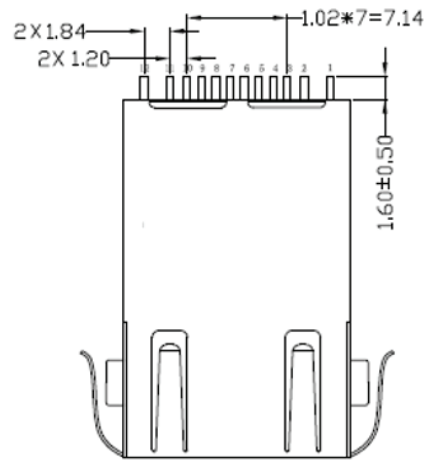
Front Side View



Left Side View

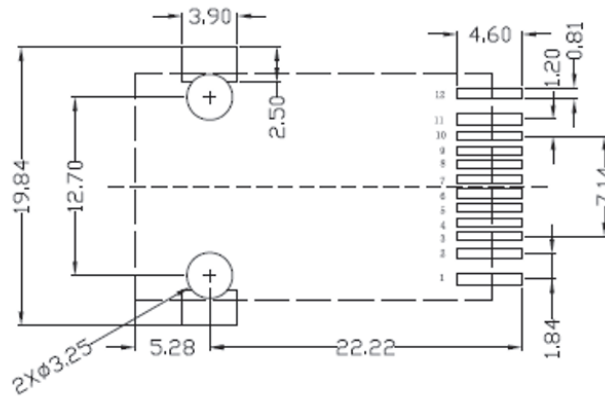


Bottom Side View



Top Side View

Recommended Land Pattern



Suggested PCB Layout

Dimension: mm

RJ45, Single Port, Tap Up, SMD, 100 Base-T

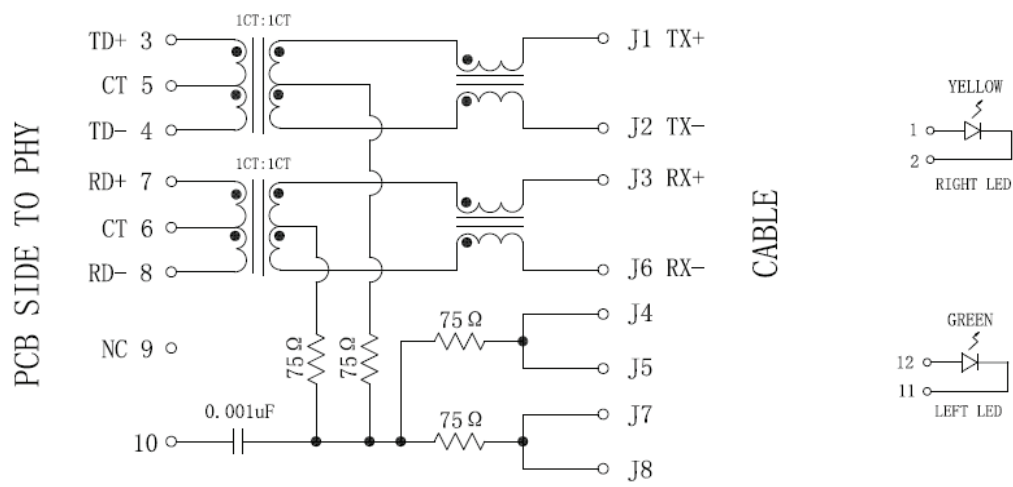
ARJE-0034

RoHS/RoHS II Compliant



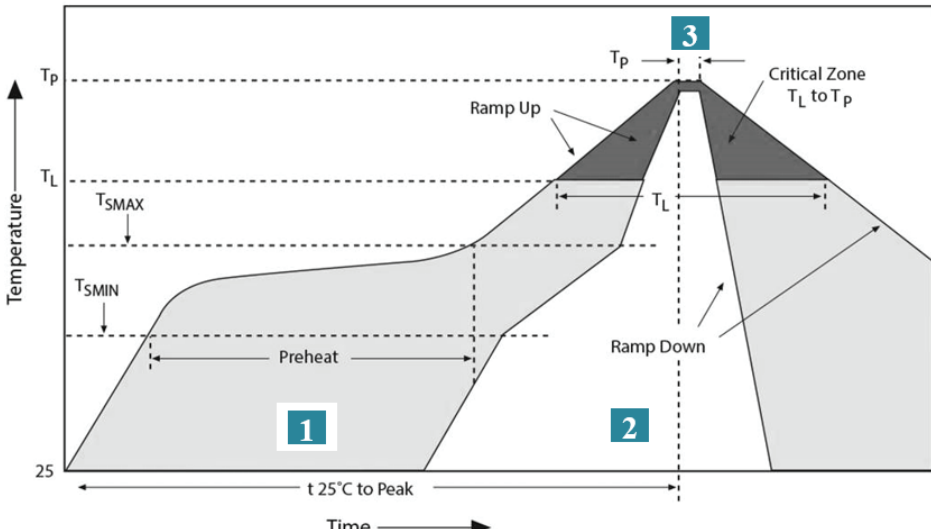
16.10 x 13.61 x 25.40mm

SCHEMATICS



Emitting Color	λ_p (nm)	$V_F@I_F20mA$	$I_R@V_R=5V$
Green	565	1.8~2.4V	10 μ A Max
Yellow	585	1.8~2.4V	10 μ A Max

REFLOW PROFILE



Zone	Description	Temperature	Times
1	Preheat	$T_{SMIN} \sim T_{SMAX}$ 150°C ~ 200°C	60 ~ 180 sec.
2	Reflow	T_L 217°C	60 ~ 150 sec.
3	Peak heat	T_p 245°C	20 ~ 40 sec. MAX



5101 Hidden Creek Ln Spicewood TX 78669
 Phone: 512-371-6159 | Fax: 512-351-8858
 For terms and conditions of sales, please visit:
www.abracon.com

REVISED: 11-13-19

ABRACON IS
 ISO9001-2015
 CERTIFIED

RJ45, Single Port, Tap Up, SMD, 100 Base-T

ARJE-0034

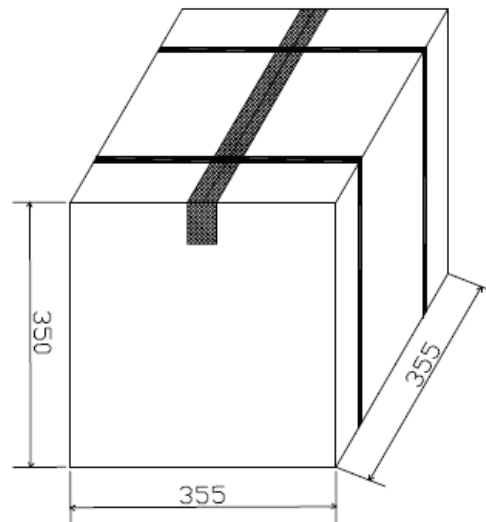
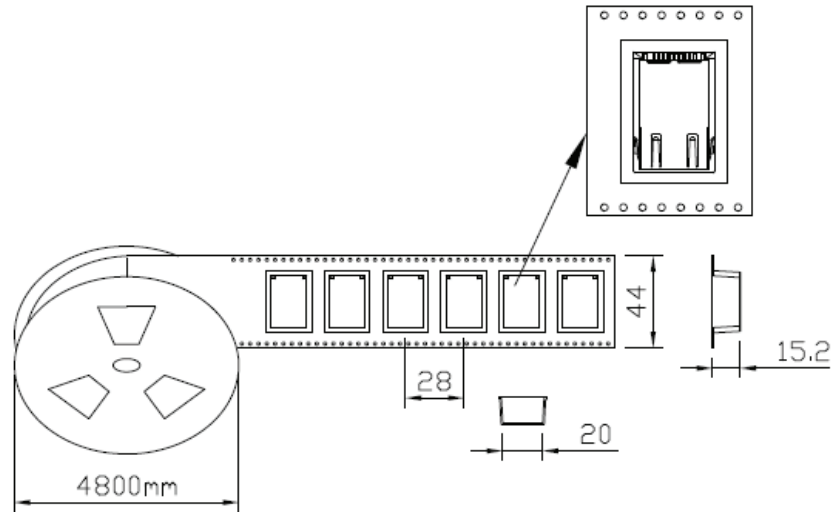
RoHS/RoHS II Compliant



16.10 x 13.61 x 25.40mm

TAPE & REEL:

- Packing: (110pcs/Tape & Reel, 660pcs/Box)
- Packing Material: PET
- Moisture Sensitivity Level (MSL): 1 (MSL=1)



Dimension: mm/inch

ATTENTION: Abracon LLC's products are COTS – Commercial-Off-The-Shelf products; suitable for Commercial, Industrial and, where designated, Automotive Applications. Abracon's products are not specifically designed for Military, Aviation, Aerospace, Life-dependent Medical applications or any application requiring high reliability where component failure could result in loss of life and/or property. For applications requiring high reliability and/or presenting an extreme operating environment, written consent and authorization from Abracon LLC is required. Please contact Abracon LLC for more information.

Mouser Electronics

Authorized Distributor

Click to View Pricing, Inventory, Delivery & Lifecycle Information:

[ABRACON:](#)

[ARJE-0034](#)