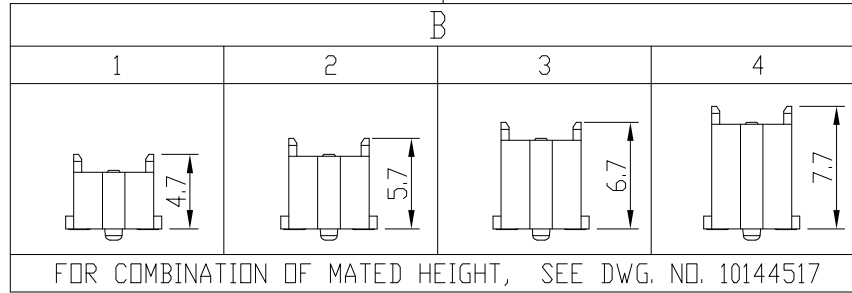


10144518- AA B C D E FF

| AA | NO. OF POSITIONS |
|----|------------------|
| 02 | 2X10 |
| 04 | 2X20 |
| 06 | 2X30 |
| 08 | 2X40 |
| 10 | 2X50 |
| 12 | 2X60 |

| E | PACKAGING |
|---|----------------------|
| 2 | T&R WITH METAL CAP |
| 3 | T&R WITHOUTL CAP |
| 6 | T&R WITH KAPTON TAPE |

| D | PEG | HOLD DOWN |
|---|-----|-----------|
| 0 | YES | NO |
| 2 | NO | NO |



| C | PLATING | FF |
|---|--|----|
| 8 | GOLD FLASH (0.05um MIN) ON CONTACT AREA ; PURE MATT TIN 2.5um MIN ON SOLDER TAIL; NICKEL UNDERPLATE OVERALL 1.27um. (LEADFREE PLATING) | LF |

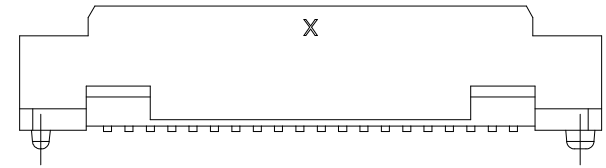
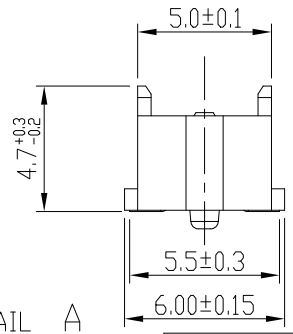
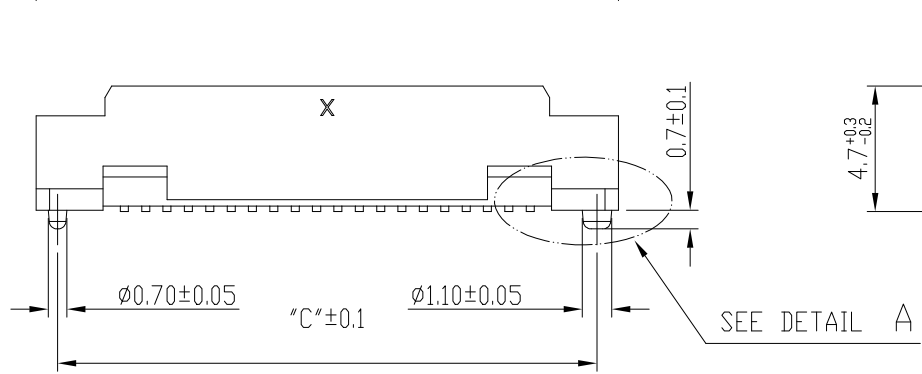
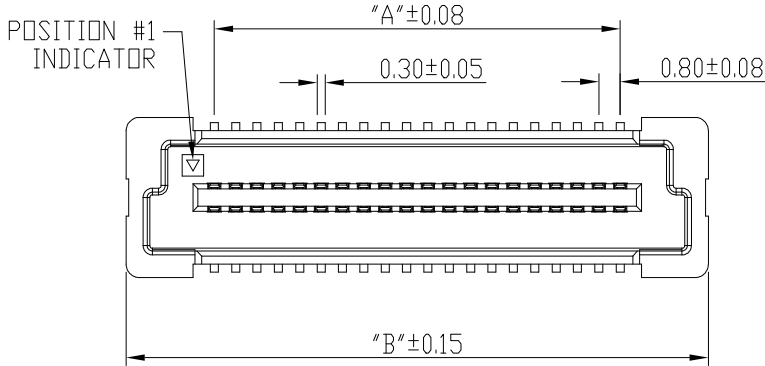
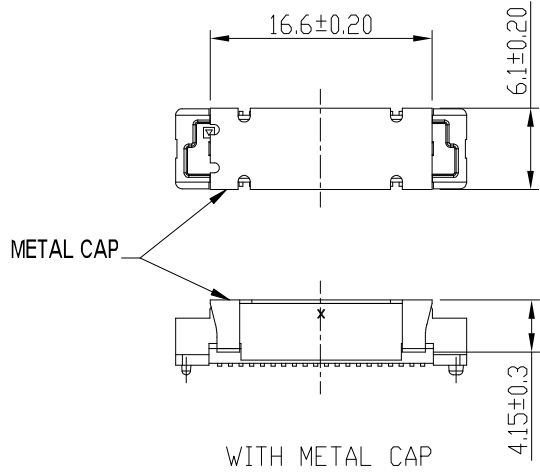
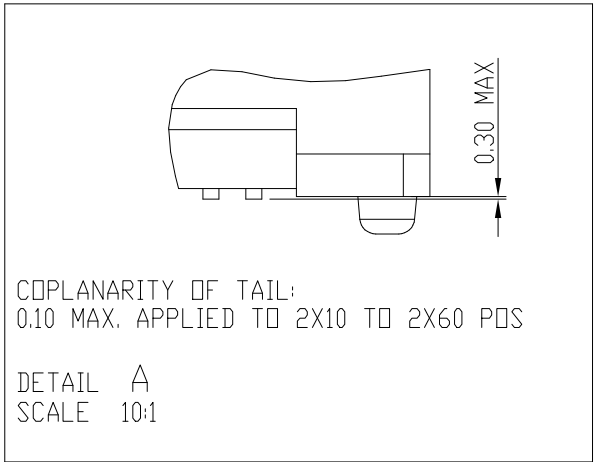
NOTE:

- MATERIAL:
HOUSING: G.F. LCP, NATURAL, UL94-V0
TERMINAL: COPPER ALLOY
- PLATING: AS SHOWN IN TABLE.
- SEE GS-12-1424 FOR PRODUCT SPEC.
- THIS PRODUCT MEETS THE EUROPEAN UNION DIRECTIVES AND OTHER COUNTRY REGULATIONS AS DESCRIBED IN GS-22-008.
- THE HOUSING WILL WITHSTAND EXPOSURE UP TO 260~ PEAK TEMPERATURE FOR 30 SECONDS IN A CONVECTION, INFRA-RED OR VAPOR PHASE REFLOW OVEN.

| | | | | | | | | | | | | | |
|-------------|-------------|------|----------|--|---|---|--|---|-----------|---|-------------------------------|----------------------------|--|
| mat'l. code | | | | surface <input checked="" type="checkbox"/> ISO 1302 | | | tolerance <input checked="" type="checkbox"/> ISO 406 ISO 1101 | | | projection <input checked="" type="checkbox"/> 1101 | | product family BERGSTAK | |
| ltr | ecn no | dr | date | tolerances unless otherwise specified | | | angles | | linear | | title | | |
| H | ELX-N-46742 | Alan | 12/12/22 | | | | | | | | PLUG ASSY BERGSTAK 0.8MM | | |
| B | ELX-N-28149 | Bob | 10/13/17 | | | | | | | | dwg no | | |
| C | ELX-N-32751 | Bob | 02/22/19 | 0°±3' | | | | | scale 1:1 | | sheet 1 of 6 | | |
| D | ELX-N-35214 | Bob | 10/28/19 | dr | | | Bob Gu | | 07/05/17 | | size | | |
| E | ELX-N-44249 | Alan | 03/24/22 | engr | | | Alan Ni | | 09/16/22 | | A3 | | |
| F | ELX-N-45652 | Alan | 08/16/22 | chr | | | LQ Lei | | 09/16/22 | | 10144518 | | |
| G | ELX-N-45723 | Alan | 08/24/22 | appd | | | Tim Yao | | 09/16/22 | | type Product Customer Drawing | | |
| sheet | revision | A | B | C | D | E | F | G | H | | | | |
| index | sheet | 1~6 | 1~6 | 1~6 | 3 | 1 | 1 | 5 | 1~6 | | | | |

© 2016 AFCI
 Amphenol FCI

| PRODUCT NO. | NO. OF POSITION | DIMENSION | | |
|-----------------|-----------------|-----------|------|------|
| | | A | B | C |
| 10144518-021*** | 2X10 | 7.2 | 13.8 | 12.2 |
| 10144518-041*** | 2X20 | 15.2 | 21.8 | 20.2 |
| 10144518-061*** | 2X30 | 23.2 | 29.8 | 28.2 |
| 10144518-081*** | 2X40 | 31.2 | 37.8 | 36.2 |
| 10144518-101*** | 2X50 | 39.2 | 45.8 | 44.2 |
| 10144518-121*** | 2X60 | 47.2 | 53.8 | 52.2 |



PLUG 1

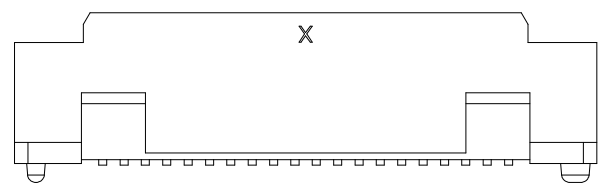
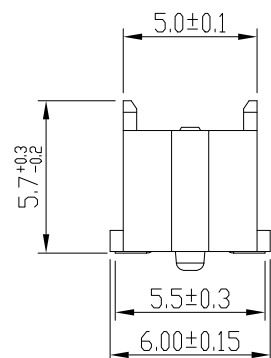
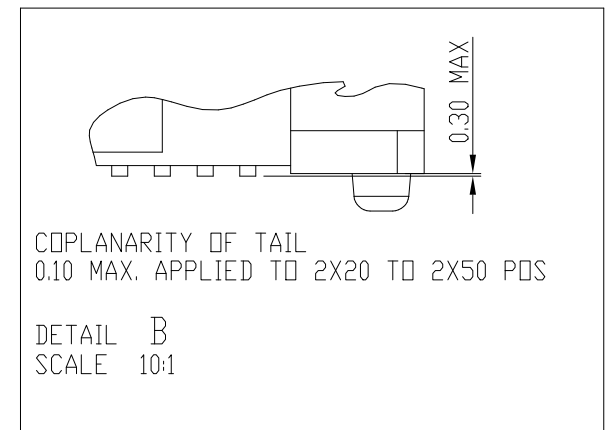
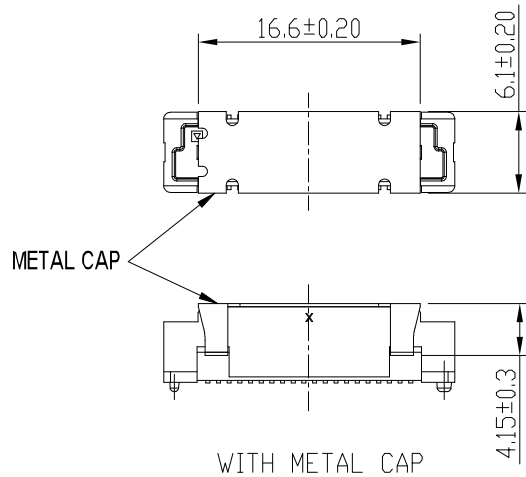
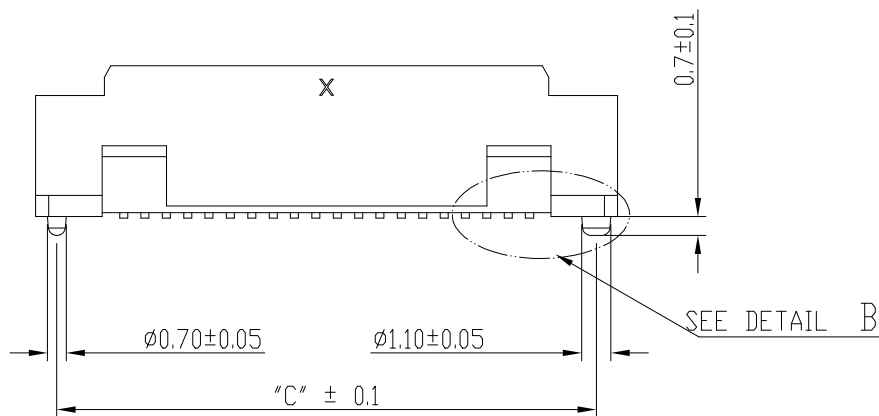
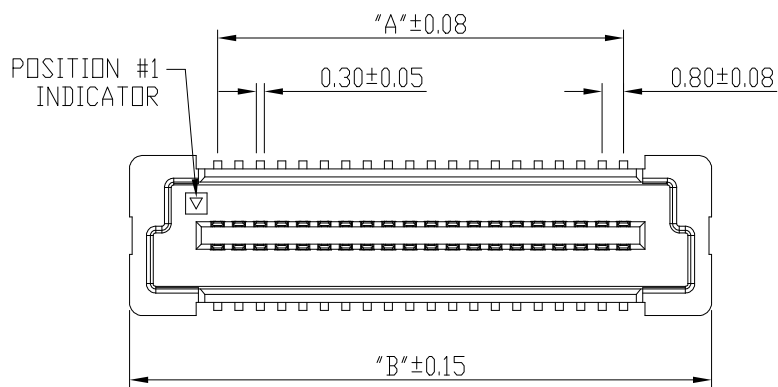
| | | | | | | | | | |
|-------------|----------------|--------------------|---------|---------------------------------------|------------------------------|-----------------|--|--------------------------------------|--|
| mat'l. code | | surface ISO 1302 ✓ | | tolerance ISO 406 ISO 1101 | | projection 1101 | | product family BERGSTAK | |
| ltr | ecn no | dr | date | tolerances unless otherwise specified | | title | | PLUG ASSY BERGSTAK 0.8MM | |
| H | | | | angles | linear | mm | | dwg no 10144518 sheet 2 of 6 size A3 | |
| | | | | 0°±3' | .0±.2 .00±.15 .000±.10 | scale 1:1 | | type Product Customer Drawing | |
| | | dr | Bob Gu | 07/05/17 | | Amphenol FCI | | | |
| | | enr | Alan Ni | 09/16/22 | | | | | |
| | | chr | LQ Lei | 09/16/22 | | | | | |
| | | appd | Tim Yao | 09/16/22 | | | | | |
| sheet index | revision sheet | D | E | F | G | H | | | |
| | | 3 | 1 | 1 | 5 | 1~6 | | | |

Amphenol FCI

© 2016 AFCI

D

| PRODUCT NO. | NO. OF POSITION | DIMENSION | | |
|-----------------|-----------------|-----------|------|------|
| | | A | B | C |
| 10144518-042*** | 2X20 | 15.2 | 21.8 | 20.2 |
| 10144518-062*** | 2X30 | 23.2 | 29.8 | 28.2 |
| 10144518-082*** | 2X40 | 31.2 | 37.8 | 36.2 |
| 10144518-102*** | 2X50 | 39.2 | 45.8 | 44.2 |



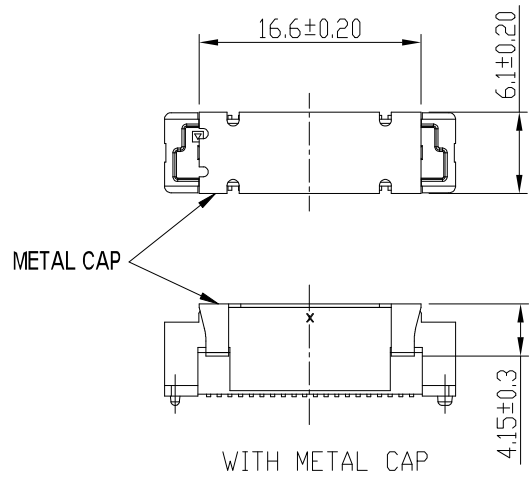
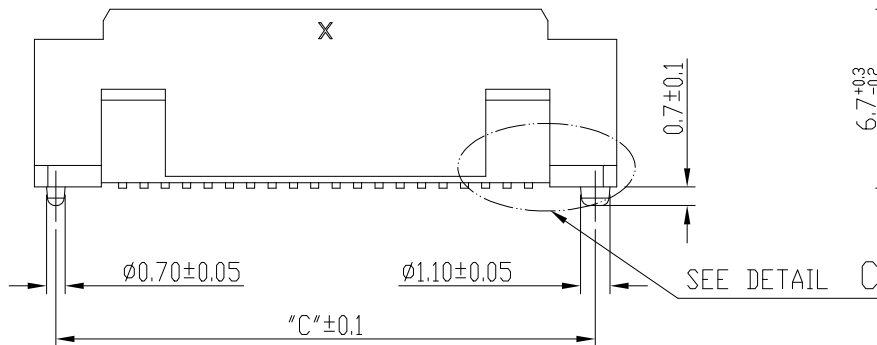
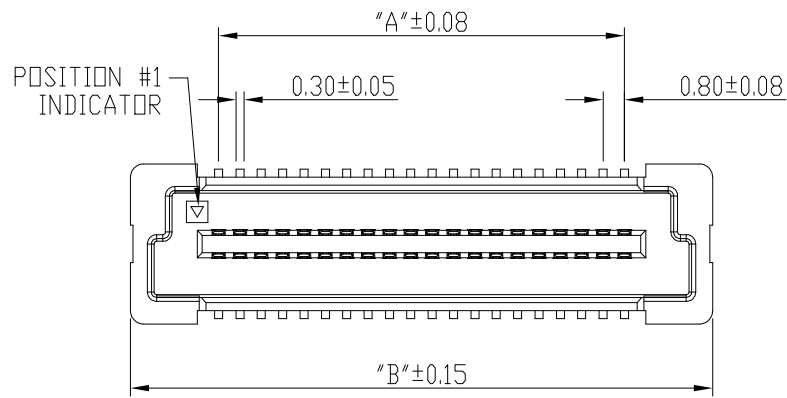
PLUG 2

| | | | | | | | | | | | |
|-------------|----------|---------|-----------|---------------------------------------|-----------------------------|-----|--------------|----------|-------|--------------------------|------|
| mat'l. code | | surface | tolerance | projection | product family | | | | | | |
| ISO 1302 | | ISO 406 | ISO 1101 | BERGSTAK | | | | | | | |
| ltr | ecn no | dr | date | tolerances unless otherwise specified | title | | | | | | |
| H | | | | linear | PLUG ASSY BERGSTAK 0.8MM | | | | | | |
| | | | | angles | mm | | | | | | |
| | | | | 0°±3' | scale 1:1 | | | | | | |
| | | | | dr | Bob Gu 07/05/17 | | | | | | |
| | | | | enr | Alan Ni 09/16/22 | | | | | | |
| | | | | chr | LQ Lei 09/16/22 | | | | | | |
| | | | | appd | Tim Yao 09/16/22 | | | | | | |
| sheet | revision | D | E | F | G | H | Amphenol FCI | dwg no | sheet | 3 of 6 | size |
| index | sheet | 3 | 1 | 1 | 5 | 1~6 | | 10144518 | A3 | | |
| | | | | | | | | type | | Product Customer Drawing | |

Amphenol FCI

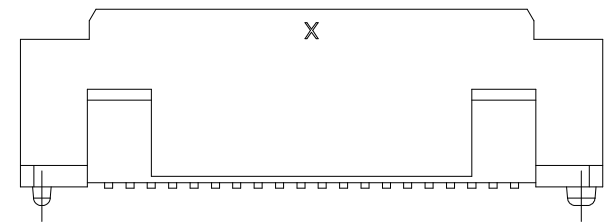
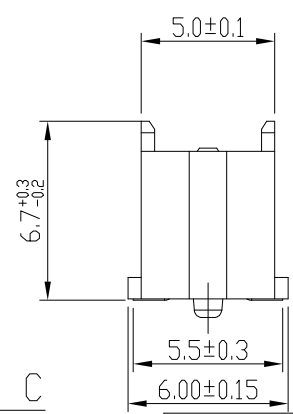
© 2016 AFCI

| PRODUCT NO. | NO. OF POSITION | DIMENSION | | |
|-----------------|-----------------|-----------|------|------|
| | | A | B | C |
| 10144518-023*** | 2X10 | 7.2 | 13.8 | 12.2 |
| 10144518-043*** | 2X20 | 15.2 | 21.8 | 20.2 |
| 10144518-063*** | 2X30 | 23.2 | 29.8 | 28.2 |
| 10144518-083*** | 2X40 | 31.2 | 37.8 | 36.2 |
| 10144518-103*** | 2X50 | 39.2 | 45.8 | 44.2 |



COPLANARITY OF TAIL:
0.10 MAX. APPLIED TO 2X10 TO 2X50
PDS

DETAIL C
SCALE 10:1

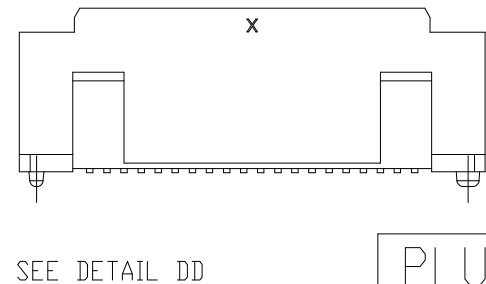
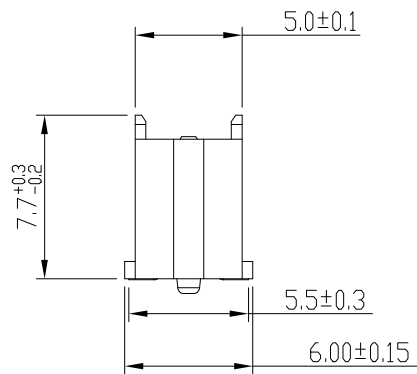
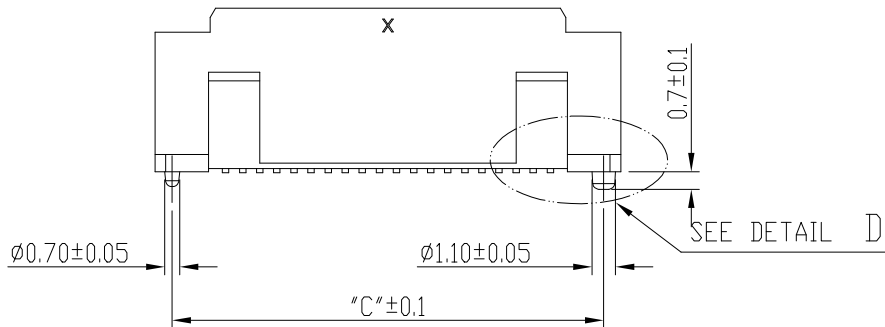
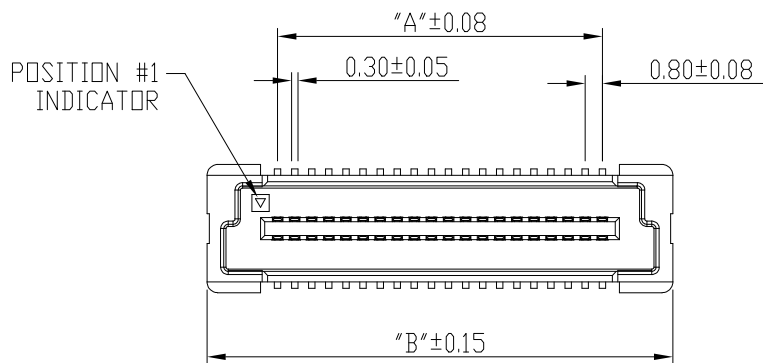
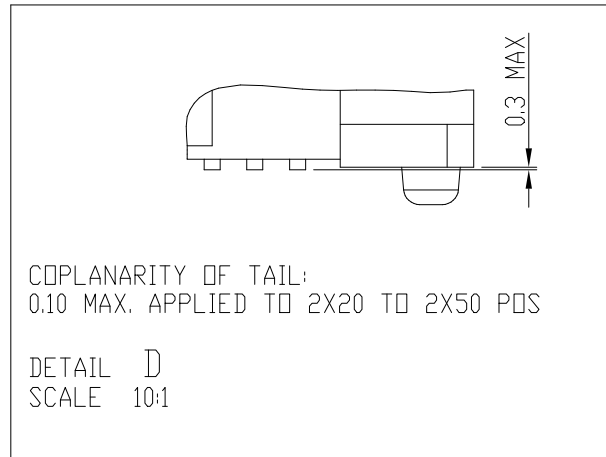
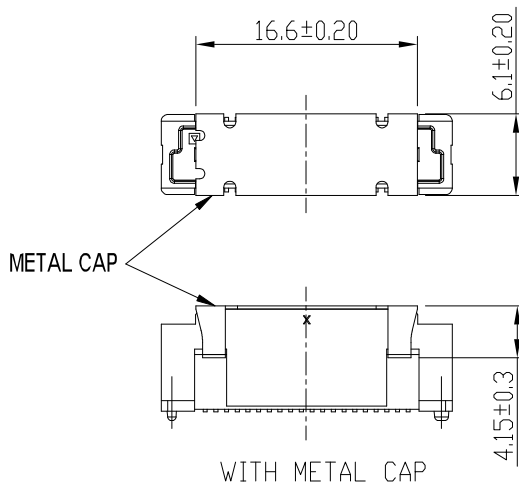


PLUG 3

| | | | | | | | | | |
|-------------|--|--------------------|--|----------------------------|--|------------|--|--------------------------|--|
| mat'l. code | | surface ISO 1302 ✓ | | tolerance ISO 406 ISO 1101 | | projection | | product family | |
| ltr | | ecn no | | dr | | date | | BERGSTAK | |
| H | | | | | | | | title | |
| | | | | | | | | PLUG ASSY | |
| | | | | | | | | BERGSTAK 0.8MM | |
| | | | | | | | | dwg no | |
| | | | | | | | | 10144518 | |
| | | | | | | | | sheet 4 of 6 | |
| | | | | | | | | size | |
| | | | | | | | | A3 | |
| | | | | | | | | type | |
| | | | | | | | | Product Customer Drawing | |
| sheet index | | revision sheet | | D | | E | | F | |
| | | | | 3 | | 1 | | 1 | |
| | | | | G | | H | | | |
| | | | | 5 | | 1~6 | | | |

Amphenol FCI
 © 2016 AFCI

| PRODUCT NO. | NO. OF POSITION | DIMENSION | | |
|-----------------|-----------------|-----------|------|------|
| | | A | B | C |
| 10144518-044*** | 2X20 | 15.2 | 21.8 | 20.2 |
| 10144518-064*** | 2X30 | 23.2 | 29.8 | 28.2 |
| 10144518-084*** | 2X40 | 31.2 | 37.8 | 36.2 |
| 10144518-104*** | 2X50 | 39.2 | 45.8 | 44.2 |
| 10144518-124*** | 2X60 | 47.2 | 53.8 | 52.2 |



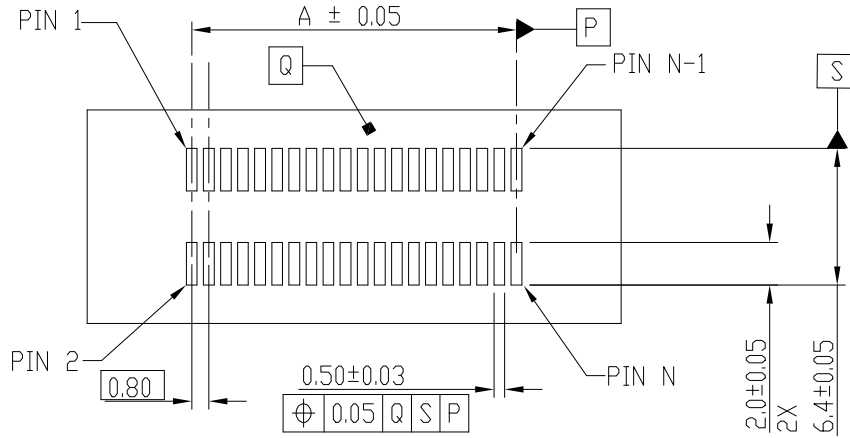
PLUG 4

| | | | | | | | | | |
|-------------|--|--------------------|--|---------------------------------------|--|------------------|--|--------------------------|--|
| mat'l. code | | surface ISO 1302 ✓ | | tolerance ISO 406 ISO 1101 | | projection | | product family | |
| ltr | | ecn no | | dr | | date | | BERGSTAK | |
| H | | | | tolerances unless otherwise specified | | mm | | title | |
| | | | | angles linear | | scale 1:1 | | PLUG ASSY | |
| | | | | 0°±3' | | | | BERGSTAK 0.8MM | |
| | | | | dr | | Bob Gu 07/05/17 | | dwg no | |
| | | | | enr | | Alan Ni 09/16/22 | | sheet 5 of 6 | |
| | | | | chr | | LQ Lei 09/16/22 | | size | |
| | | | | appd | | Tim Yao 09/16/22 | | A3 | |
| sheet index | | revision sheet | | D | | E | | type | |
| | | 3 1 | | 1 | | 5 1~6 | | Product Customer Drawing | |

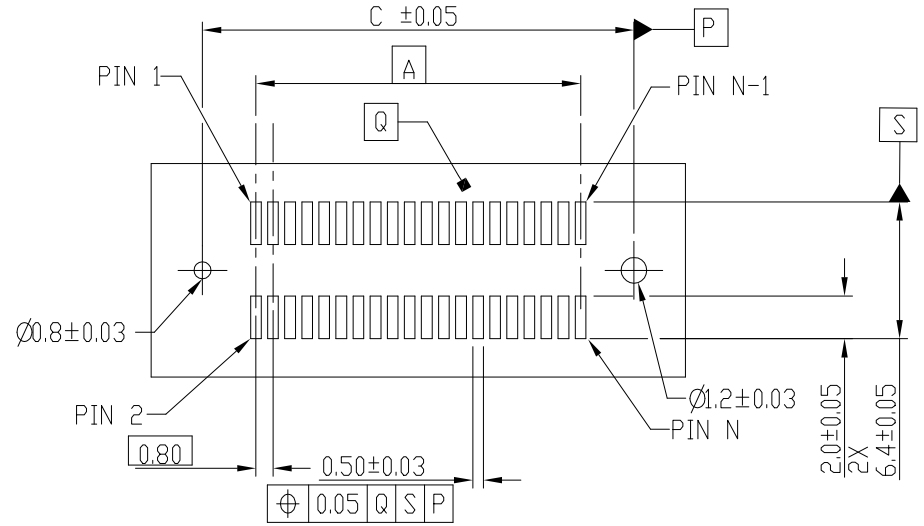
Amphenol FCI

© 2016 AFCI

FOR PLUG 1/2/3/4



RECOMMENDED PCB LAYOUT WITHOUT PEG AND HOLDDOWN FOR NO. OF PDS 2X10, 2X20, 2X30, 2X40, 2X50, 2X60



RECOMMENDED PCB LAYOUT WITH PEG FOR NO. OF PDS 2X10, 2X20, 2X30, 2X40, 2X50, 2X60

Amphenol FCI

© 2016 AFCI

| | | | | | | | | | |
|-------------|----------------|--|---------|---------------------------------------|------------------------------|--------------|-------------------------------|-------------------------|--|
| mat'l. code | | surface ISO 1302 <input checked="" type="checkbox"/> | | tolerance ISO 406 ISO 1101 | | projection | | product family BERGSTAK | |
| ltr | ecn no | dr | date | tolerances unless otherwise specified | | title | | sheet 6 of 6 | |
| H | | | | angles | linear | mm | | size | |
| | | | | 0°±3' | .0±.2 .00±.15 .000±.10 | scale 1:1 | | A3 | |
| | | dr | Bob Gu | 07/05/17 | | Amphenol FCI | | sheet 6 of 6 | |
| | | engr | Alan Ni | 09/16/22 | | | | size A3 | |
| | | chr | LQ Lei | 09/16/22 | | | | sheet 6 of 6 | |
| | | appd | Tim Yao | 09/16/22 | | | | size A3 | |
| sheet index | revision sheet | D | E | F | G | H | type Product Customer Drawing | | |
| | 3 | 1 | 1 | 5 | 1~6 | | | | |