

Features

- 12W in SIP8 package
- 3kVDC isolation
- 4:1 input voltage range
- Operating temperature from -40°C to +75°C with no derating and convection cooling only
- Continuous short circuit protection
- ON/OFF CTRL pin

Regulated Converters

RS12-Z

12 Watt
SIP8
Single Output



IEC/EN62368-1 certified
UL62368-1 certified
CSA/CAN No. 62368-1 certified
CB Report
EN55032 compliant

Description

The RS12 is an advanced DC/DC converter that uses planar transformer technology to offer a very high power density, 4:1 input voltage, regulated DC output with 3kVDC isolation and a wide operating temperature range of -40°C to +75°C (without derating and with convection cooling only). The SIP8 pinout is backwards compatible with our RS6 (6W) and RS3 (3W) offering the option of 3W, 6W or 12W of output power in the same sized package, the difference being that the RS12 uses a metal case. Additional features such as UVLO, CTRL pin, trimmable outputs and simple EMC filtering round off this versatile DC/DC converter which is also UL/IEC/EN 62368-1 safety certified with CB report.

Selection Guide

Part Number	nom. Input Voltage Range [VDC]	Output Voltage [VDC]	Output Current [mA]	Efficiency typ. ⁽¹⁾ [%]	max. Capacitive Load ⁽²⁾ [µF]
RS12-243.3SZ	9-36	3.3	2400	85	6000
RS12-2405SZ	9-36	5	2400	88	6000
RS12-2412SZ	9-36	12	1000	88	1000
RS12-2415SZ	9-36	15	800	88	860
RS12-2424SZ	9-36	24	500	89	200
RS12-483.3SZ	18-75	3.3	2400	85	5600
RS12-4805SZ	18-75	5	2400	88	5600
RS12-4812SZ	18-75	12	1000	88	1000
RS12-4815SZ	18-75	15	800	88	860
RS12-4824SZ	18-75	24	500	89	200

Notes:

Note1: Efficiency is tested by nominal input and full load at +25°C ambient
Note2: Max Cap Load is tested by minimum input and constant resistive load

Model Numbering



Ordering Examples:

RS12-2405SZ	nom. 24Vin (9-36VDC)	5Vout	Single
RS12-4812SZ	nom. 48Vin (18-75VDC)	12Vout	Single

Specifications (measured @ Ta= 25°C, nominal input voltage, full load and after warm up unless otherwise specified)

BASIC CHARACTERISTICS

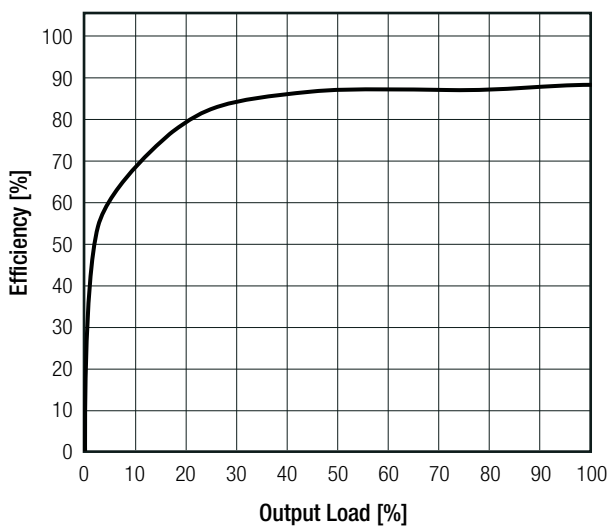
Parameter	Condition		Min.	Typ.	Max.
Input Voltage Range	nom. Vin= 24VDC 48VDC		9VDC 18VDC	24VDC 48VDC	36VDC 75VDC
Input Surge Voltage	100ms max.	nom. Vin= 24VDC 48VDC			50VDC 100VDC
Input Current	nom. Vin= 24VDC 48VDC			580mA 290mA	
Quiescent Current	nom. Vin= 24VDC 48VDC			7mA 5mA	
Under Voltage Lockout	nom. Vin= 24VDC 48VDC			7.5VDC 16VDC	
ON/OFF CTRL	DC-DC ON DC-DC OFF		Open or $3.5VDC \leq V_{CTRL} \leq 15VDC$ Short or $0VDC \leq V_{CTRL} \leq 1.2VDC$		
Input Current of CTRL Pin	DC-DC OFF				1mA
Internal Operating Frequency			470kHz	500kHz	
Output Voltage Trimming	refer to "OUTPUT VOLTAGE TRIMMING"		-10%		+10%
Minimum Load				0%	
Start-up time	power up ON/OFF CTRL			15ms 7ms	
Rise time				5ms	
Output Ripple and Noise ⁽³⁾	20MHz BW	3.3, 5, 12Vout 15, 24Vout		50mVp-p 75mVp-p	

Notes:

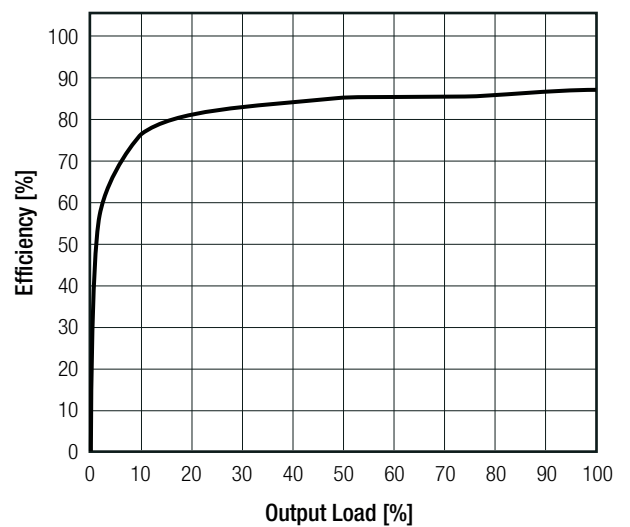
Note3: Measurements are made with a 10µF MLCC across output (low ESR)

Efficiency vs. Load

RS12-2405SZ



RS12-2412SZ

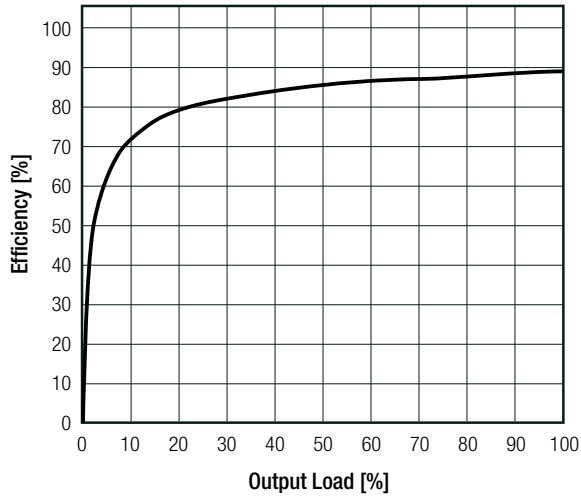


continued on next page

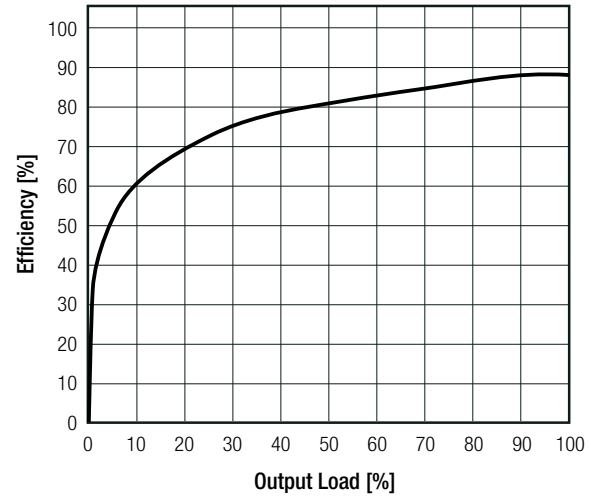
Specifications (measured @ Ta= 25°C, nominal input voltage, full load and after warm up unless otherwise specified)

Efficiency vs. Load

RS12-2424SZ

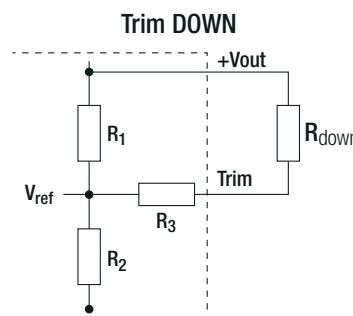
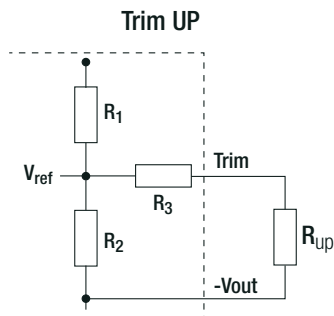


RS12-4824SZ



OUTPUT VOLTAGE TRIMMING

It allows the user to increase or decrease the output voltage of the module. This is accomplished by connecting an external resistor between the Trim pin and either the +Vout or -Vout pins. With an external resistor between the -Vout and Trim pin, the output voltage increases. With an external resistor between the Trim and +Vout pin, the output voltage decreases. The values for trim resistors shown in trim tables below are according to standard E96 values; therefore, the specified voltage may slightly vary.



- Vout_{nom} = nominal output voltage [VDC]
- Vout_{set} = trimmed output voltage [VDC]
- V_{ref} = reference voltage [VDC]
- R_{up} = trim up resistor [Ω]
- R_{down} = trim down resistor [Ω]
- R₁, R₂, R₃ = internal resistors [Ω]
- k_u = trim up factor []
- k_d = trim down factor []

Vout _{nom}	3.3VDC	5VDC	12VDC	15VDC	24VDC
R ₁	16.74kΩ	10kΩ	38.1kΩ	50kΩ	86.32kΩ
R ₂	10kΩ				
R ₃	52.3kΩ	35.7kΩ	48.7kΩ	51kΩ	73.2kΩ
V _{ref}	1.24VDC	2.5VDC			

Calculation:

$$k_u = \left[\frac{V_{ref}}{V_{out_{set}} - V_{ref}} \right] \times R_1$$

$$R_{up} = \left[\frac{k_u \times R_2}{R_2 - k_u} \right] - R_3$$

$$k_d = \left[\frac{V_{out_{set}} - V_{ref}}{V_{ref}} \right] \times R_2$$

$$R_{down} = \left[\frac{k_d \times R_1}{R_1 - k_d} \right] - R_3$$

continued on next page

Specifications (measured @ Ta= 25°C, nominal input voltage, full load and after warm up unless otherwise specified)

Practical Example REC15-0505SZ trim up 10%

$$K_u = \left[\frac{2.5}{5.5 - 2.5} \right] \times 10k = 8k33$$

$$R_{up} = \left[\frac{8k33 \times 10k}{10k - 8k33} \right] - 35k7\Omega = 14k2\Omega$$

R_{up} according to E96 \approx **14k3 Ω**

Practical Example REC15-0505SZ trim down 10%

$$K_d = \left[\frac{4.5 - 2.5}{2.5} \right] \times 10k = 8k$$

$$R_{down} = \left[\frac{8k \times 10k}{10k - 8k} \right] - 35k7 = 4k3\Omega$$

R_{down} according to E96 \approx **4k32 Ω**

Calculated trim table

RS12-xx03.3SZ

Vout _{set} =	3.333	3.366	3.399	3.432	3.465	3.498	3.531	3.564	3.597	3.63	[VDC]
R _{down} (E96) \approx	1M15	357k	196k	127k	86k6	61k9	44k2	31k6	21k5	13k7	[Ω]
Vout _{set} =	3.267	3.234	3.201	3.168	3.135	3.102	3.069	3.036	3.003	2.97	[VDC]
R _{down} (E96) \approx	649k	357k	232k	165k	124k	92k1	71k5	54k9	42k2	31k6	[Ω]

RS12-xx05SZ

Vout _{set} =	5.05	5.10	5.15	5.20	5.25	5.30	5.35	5.4	5.45	5.50	[VDC]
R _{down} (E96) \approx	464k	215k	130k	88k7	64k9	47k5	35k7	26k7	20k	14k3	[Ω]
Vout _{set} =	4.95	4.90	4.85	4.80	4.75	4.70	4.65	4.60	4.55	4.5	[VDC]
R _{down} (E96) \approx	453k	205k	121k	78k7	54k9	37k4	25k5	16k9	9k76	4k32	[Ω]

RS12-xx12SZ

Vout _{set} =	12.12	12.24	12.36	12.48	12.60	12.72	12.84	12.96	13.08	13.20	[VDC]
R _{down} (E96) \approx	953k	392k	237k	162k	118k	88k7	68k1	53k6	41k2	32k4	[Ω]
Vout _{set} =	11.88	11.76	11.64	11.52	11.40	11.28	11.16	11.04	10.92	10.8	[VDC]
R _{down} (E96) \approx	2M43	1M27	866k	634k	499k	402k	332k	280k	243k	210k	[Ω]

RS12-xx15SZ

Vout _{set} =	15.15	15.3	15.45	15.60	15.75	15.90	16.05	16.20	16.35	16.50	[VDC]
R _{down} (E96) \approx	953k	402k	243k	165k	121k	93k1	71k5	56k2	43k2	34k	[Ω]
Vout _{set} =	14.85	14.70	14.55	14.40	14.25	14.10	13.95	13.80	13.65	13.5	[VDC]
R _{down} (E96) \approx	3M48	1M82	1M21	909k	715k	576k	487k	412k	357k	309k	[Ω]

RS12-xx24SZ

Vout _{set} =	24.24	24.48	24.72	24.96	25.2	25.44	25.68	25.92	26.16	26.4	[VDC]
R _{down} (E96) \approx	1M27	487k	287k	196k	143k	107k	84k5	66k5	52k3	42k2	[Ω]
Vout _{set} =	23.76	23.52	23.28	23.04	22.8	22.56	22.32	22.08	21.84	21.6	[VDC]
R _{down} (E96) \approx	5M62	3M16	2M15	1M62	1M3	1M07	909k	768k	665k	590k	[Ω]

REGULATIONS

Parameter	Condition	Values
Output Accuracy		\pm 1.0% max.
Line Regulation	low line to high line	\pm 0.5% max.
Load Regulation	0% to 100% load	1.0% max.

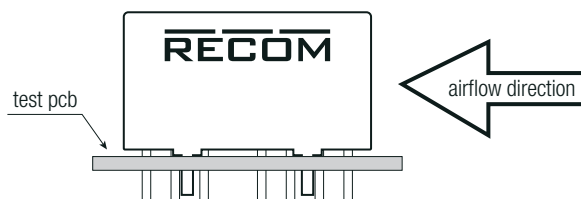
Specifications (measured @ Ta= 25°C, nominal input voltage, full load and after warm up unless otherwise specified)

PROTECTIONS			
Parameter	Condition	Value	
Short Circuit Protection (SCP)	below 100mΩ	continuous, automatic recovery	
Over Load Protection (OLP)		150% typ.	
Isolation Voltage ⁽⁴⁾	tested for 1 minute	I/P to O/P	3kVDC
		I/P (O/P) to metal case	1.5kVDC
Isolation Capacitance		2200pF typ.	
Isolation Resistance		1GΩ min.	
Insulation Grade		functional	
Notes:			
Note4: For repeat Hi-Pot testing, reduce the time and/or the test voltage			
Note5: Refer to local safety regulations if input over-current protection is also required. Recommended fuse: slow blow type			

ENVIRONMENTAL		
Parameter	Condition	Value
Operating Temperature Range ⁽⁶⁾		-40°C to refer to "Thermal Calculation"
Maximum Case Temperature		+105°C
Temperature Coefficient		±0.05%/K
Thermal Impedance ⁽⁶⁾	0.25m/s (natural convection)	19.7K/W
	1m/s	14.9K/W
	1.5m/s	13.1K/W
Operating Altitude	according to 62368-1	5000m
Operating Humidity		5% - 95% RH max.
Pollution Degree		PD2
Vibration		according to MIL-STD-202G
MTBF	according to MIL-HDBK-217F, G.B.	+25°C 1338 x 10 ³ hours

Notes:

Note6: Test PCB:160x100mm105µm (Eurocard), double layer, vertical mounted + refer to airflow direction below



Thermal Calculation

- T_{case max.} = case temperature [°C]
- T_{over} = temperature losses [K]
- T_{amb} = ambient temperature [°C]
- P_{out nom.} = nom. output power [W]
- P_{out set} = output power set [W]
- P_{diss} = internal losses [W]
- R_{th} = thermal impedance [K/W]
- η = efficiency under given operating conditions [%]

$$P_{diss} = \frac{P_{out\ set}}{\eta} - P_{out\ set}$$

$$T_{over} = R_{th} \times P_{diss}$$

$$T_{amb} = T_{case\ max.} - T_{over}$$

continued on next page

Specifications (measured @ Ta= 25°C, nominal input voltage, full load and after warm up unless otherwise specified)

Practical Example:

Take the **RS12-2405SZ** with 24V Input Voltage, 75% load, 1.0m/s airflow. ⁽⁶⁾
 What is the maximum operating ambient temperature?

$$T_{\text{case max.}} = 105^{\circ}\text{C}$$

$$P_{\text{out set}} = 9\text{W}$$

$$R_{\text{th}} = 14.9\text{K/W (1.0m/s)}$$

$$\eta = 87\% \text{ (Eff. vs Load Graph)}$$

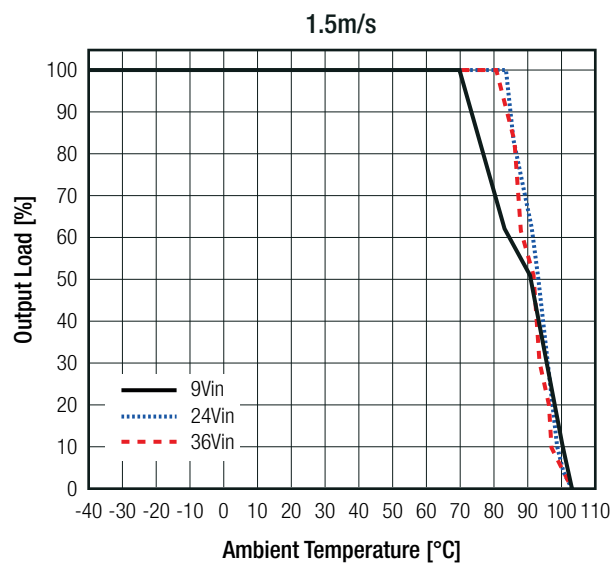
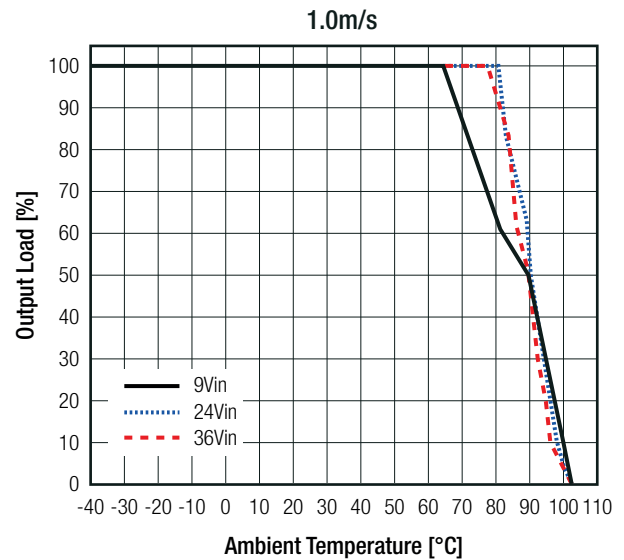
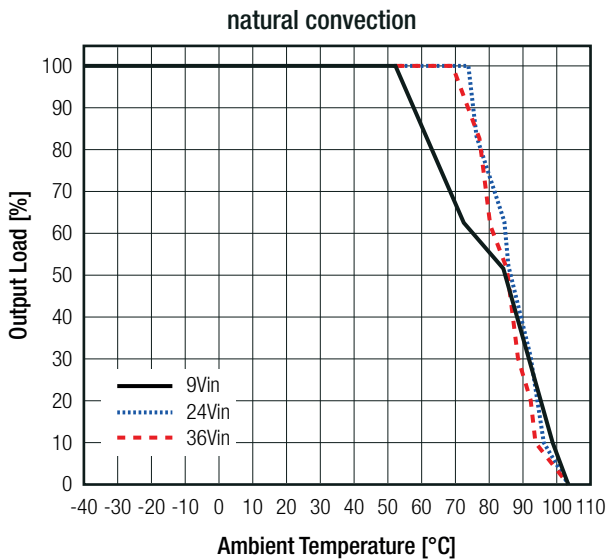
$$P_{\text{diss}} = \frac{9}{0.88} - 9 = 1.23\text{W}$$

$$T_{\text{amb}} = 105 - 18.3 = \underline{86.7^{\circ}\text{C}}$$

$$T_{\text{over}} = 14.9 \times 1.23 = 18.3\text{K}$$

Derating Graph (R12S-2405SZ)

(@ Chamber - tested with double layer PCB: 160x100mm 105µm Eurocard)



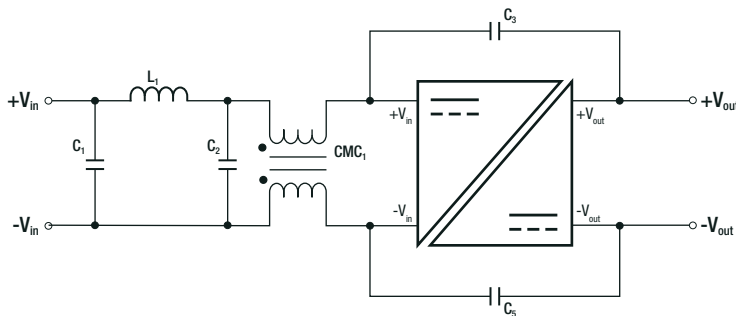
Specifications (measured @ Ta= 25°C, nominal input voltage, full load and after warm up unless otherwise specified)

SAFETY AND CERTIFICATIONS

Certificate Type	Report / File Number	Standard
Audio/video, information and communication technology equipment. Safety requirements (CB)	1912033-3-CB	IEC62368-1:2014 2nd Edition
Audio/video, information and communication technology equipment. Safety requirements		EN62368-1:2014+A11:2017
Audio/video, information and communication technology equipment. Safety requirements	E224736-A6002-UL	UL62368-1, 2nd Edition CAN/CSA-C22.2 No. 62368-1-14
RoHS2+		RoHS-2011/65/EU + AM-2015/863

EMC Compliance	Condition	Standard / Criterion
Electromagnetic compatibility of multimedia equipment - Emission requirements	with external filter (refer to "EMC Filtering")	EN55032, Class A EN55032, Class B
ESD Electrostatic discharge immunity test	Air ±8kV Contact ±6kV	EN61000-4-2, Criteria A
Radiated, radio-frequency, electromagnetic field immunity test	10V/m	EN61000-4-3, Criteria A
Fast Transient and Burst Immunity	±2kV	EN61000-4-4, Criteria A
Surge Immunity	±2kV	EN61000-4-5, Criteria A
Immunity to conducted disturbances, induced by radio-frequency fields	10V/rms	EN61000-4-6, Criteria A
Power Magnetic Field Immunity	10A/m	EN61000-4-8, Criteria A

EMC Filtering Suggestions according to EN55032 ⁽⁷⁾



Component List Class A

MODELS	C ₁	L ₁	C ₂	CMC ₁	C ₃ & C ₄
RS12-2405SZ	N/A	18µH RLS-186	10µF	N/A	1nF
RS12-2412SZ					
RS12-2424SZ					

Component List Class B

MODELS	C ₁	L ₁	C ₂	CMC ₁	C ₃ & C ₄
RS12-2405SZ	10µF	18µH RLS-186	10µF	11µH	2.2nF
RS12-2412SZ					
RS12-2424SZ					

Notes:

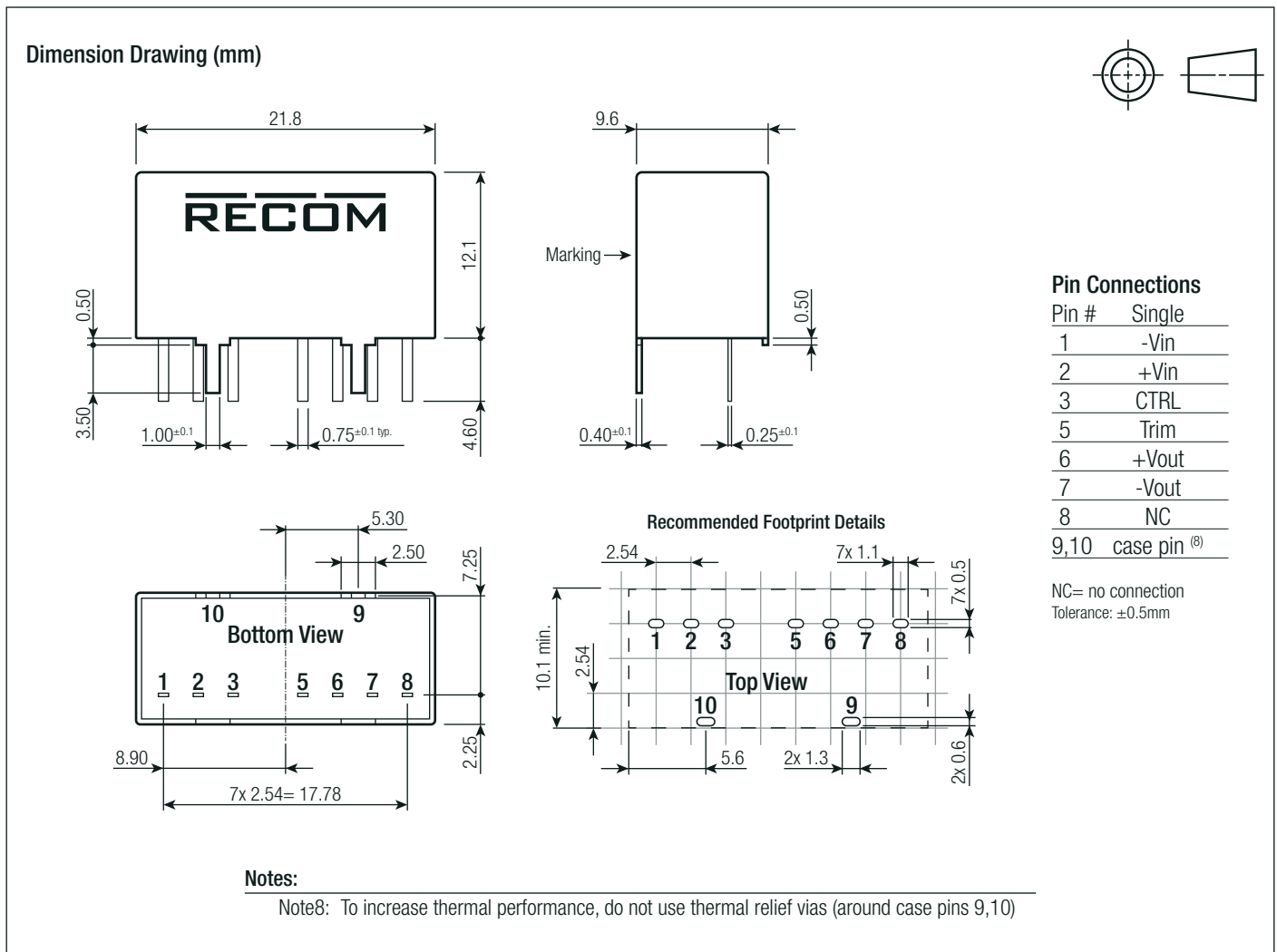
Note7: Filter suggestions are valid for indicated part numbers only. For other part numbers, please contact RECOM tech support for advice.

DIMENSION and PHYSICAL CHARACTERISTICS

Parameter	Type	Value
Material	case potting	metal epoxy, (UL94 V-0)
Dimension (LxWxH)		21.8 x 12.1 x 9.6mm
Weight		8.5g

continued on next page

Specifications (measured @ Ta= 25°C, nominal input voltage, full load and after warm up unless otherwise specified)



PACKAGING INFORMATION

Parameter	Type	Value
Packaging Dimension (LxWxH)	tube	520.0 x 14.6 x 20.0mm
Packaging Quantity		22pcs
Storage Temperature Range		-55°C to +125°C
Storage Humidity	non-condensing	95% RH max.

The product information and specifications may be subject to changes even without prior written notice. The product has been designed for various applications; its suitability lies in the responsibility of each customer. The products are not authorized for use in safety-critical applications without RECOM's explicit written consent. A safety-critical application is an application where a failure may reasonably be expected to endanger or cause loss of life, inflict bodily harm or damage property. The applicant shall indemnify and hold harmless RECOM, its affiliated companies and its representatives against any damage claims in connection with the unauthorized use of RECOM products in such safety-critical applications.

Mouser Electronics

Authorized Distributor

Click to View Pricing, Inventory, Delivery & Lifecycle Information:

RECOM:

[RS12-2405SZ](#) [RS12-2412SZ](#) [RS12-4824SZ](#) [RS12-483.3SZ](#) [RS12-2415SZ](#) [RS12-2424SZ](#) [RS12-243.3SZ](#) [RS12-4805SZ](#) [RS12-4812SZ](#) [RS12-4815SZ](#)