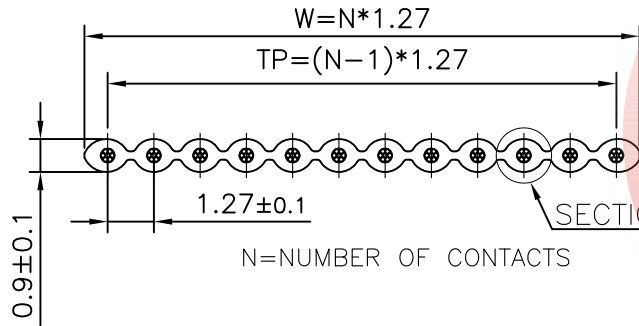


REV.	DESCRIPTION	DRAWN	CHECKED	APPROVED
A	NEW RELEASE	YCH 04/20/07	~	LJC 04/20/07
B	整理图面	YCH 05/14/07	~	LJC 05/14/07
C	整理图面	YCH 10/17/07	~	LJC 05/14/07
I	ADD Packing Specification	JLZ 11/18/15'	~	



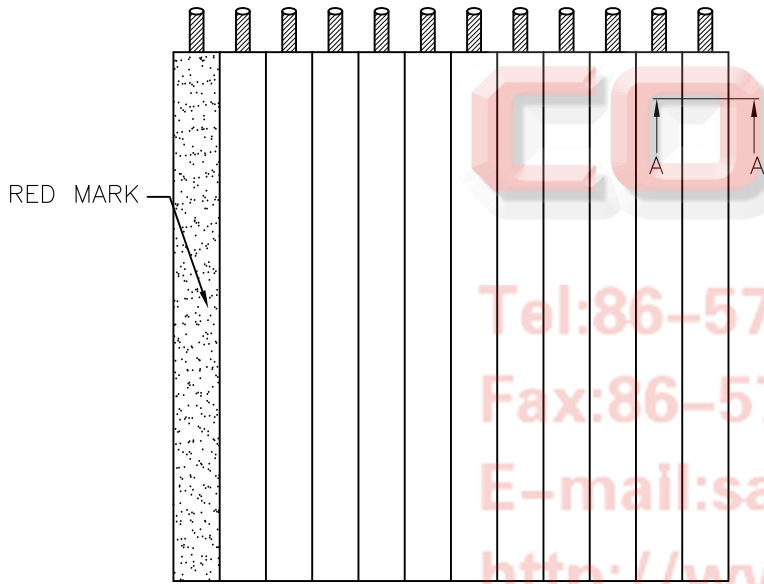
NOTES:

- Insulation material: PVC  
Color: Grey
- SPECIFICATION  
Rating: 300V  
Conductor Size: 28AWG or 30AWG.  
Insulation resistance: 100MΩ/km min.  
Operating temperature: -20°C~70°C.
- APPLICATION  
Internal wiring of computers, electronic exchanges, measurement control devices, business machines, communication devices, and other electronic equipment.

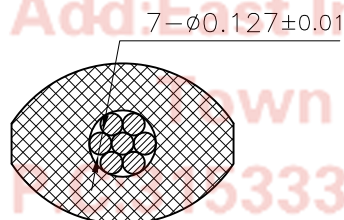
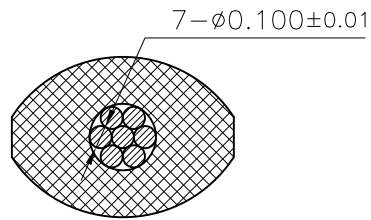
4. Product Number Code

DS1057 - X X X X X-X

- Packing Specifications
  - 30.5: 30.5m/reel
  - 61.0: 61.0m/reel
  - 76.5: 76.5m/reel
  - 153.0: 153m/reel
  - 457.0: 457m/reel
- Edge mark
  - R: Red mark
  - F: Flower mark
- Wire diameter
  - 1:  $\phi 0.100$  (30AWG)
  - 2:  $\phi 0.127$  (28AWG)
  - 3:  $\phi 0.090$  (SPECIAL)
- Wire AWG
  - 28: 28AWG
  - 30: 30AWG
  - T: SPECIAL (H)
- Cable color
  - A: Gray
  - S: Dark Grey (C)
- No. Of positions
  - 06: 6pin
  - 64: 64pin



Number	Dimensions			Max. conductor resistance DC 20°C Ω/m
	TP(mm)	W(mm)	Tolerance	
10	11.43	12.70	±0.30	$\phi 0.100 < 0.397$
14	16.51	17.78	±0.30	
16	19.05	20.32	±0.30	
20	24.13	25.40	±0.30	
24	29.21	30.48	±0.30	
26	31.75	33.02	±0.30	
30	36.83	38.10	±0.30	$\phi 0.127 < 0.237$
34	41.91	43.18	±0.40	
40	49.53	50.80	±0.40	
50	62.23	63.50	±0.40	
60	74.93	76.20	±0.40	
64	80.01	81.28	±0.40	




SECTION A-A (4:1)

SECTION A-A (4:1)

GENERAL TOLERANCE		ANGLE TOLERANCE	
X.	±0.60	X.	±5°
.X	±0.38	.X	±3°
.XX	±0.25	.XX	±2°

DRAWING TYPE	CUSTOMER	
SCALE	1:1	SHEET 1 OF 1
DRAWING NO.	C-DS1057-XXXXX-X-I	

PROJECTION	TITLE
UNITS	2651 GRAY FLAT CABLE
SHEET SIZE	SERIES DS1057


**晨翔电子有限公司**  
**CONNFLY CONNFLY ELECTRONIC CO. LTD**