

## CUBE20 BUS NODE ETHERNET-IP

8 digital inputs

Bus nodes

DI8 - (BN-E)

EtherNet/IP

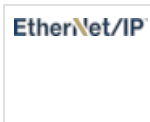
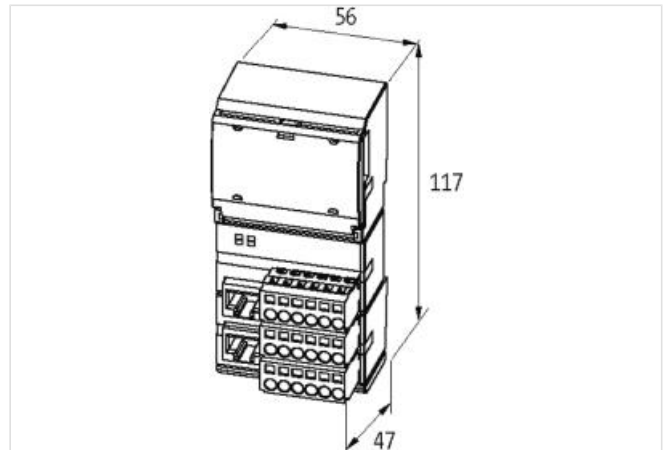
Connection cables are in the online shop under "Connection Technology".

### Link to Product

#### Illustration



Product may differ from Image



#### General data

Mounting method	DIN-rail mountable (EN 60715)
Temperature range	0...+55 °C (storage temperature -20...+85 °C)
Protection	IP20
Dimensions HxWxD	117x56x47 mm

#### Module supply

Operating voltage	24 V DC (EN 61131-2)
Current consumption	max. 150 mA

#### Input

Sensor supply US	24 V DC (EN 61131-2), max. 700 mA per module
Type	PNP (EN 61131-2)
Galvanic isolation	500 V DC between I/O and system electronics
Input filter	1 ms

#### Cube system

Module capacity	max. 15
I/O capacity	max. 504 Byte (Input), max. 500 Byte (Output)

#### Parameterization

Terminal row X3 (4 channels)	Input
Terminal row X2 (4 channels)	Input

#### Connections

Fieldbus	Ethernet 10/100 Mbit/s; 2× RJ45 (female)
Sensor-system/actuator supply	4× spring clamp plug-in terminals, max. 2.5 mm <sup>2</sup> (max. 12 A)
I/O ports	8× spring clamp plug-in terminals, max. 2.5 mm <sup>2</sup>
Internal system connection	4× spring clamp plug-in terminals, max. 2.5 mm <sup>2</sup> (max. 12 A)

**EtherNet/IP**

Addressing	DHCP, BOOTP or IP address by rotary switch
------------	--

**Diagnostic**

Communication status	via LED and BUS
Diagnostic via LED	per module
Diagnostic via BUS	per module and channel
Monitoring - under voltage	yes
Monitoring - no voltage	no
Short-circuit and overload	yes

**Commercial data**

country of origin	CZ
customs tariff number	85389099
EAN	4048879049498
eClass	27242604
Packaging unit	1.000