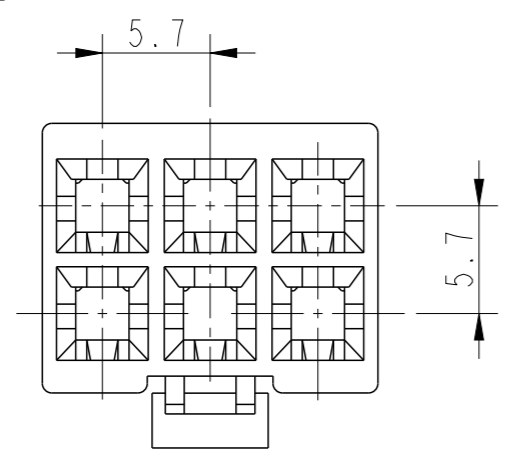
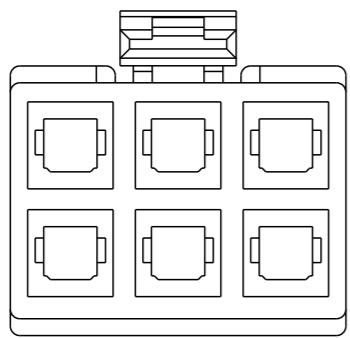
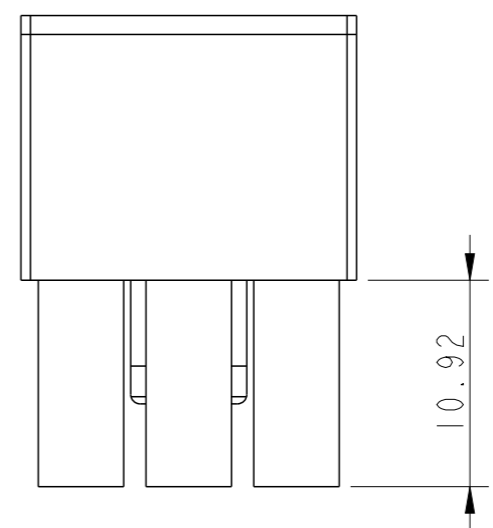
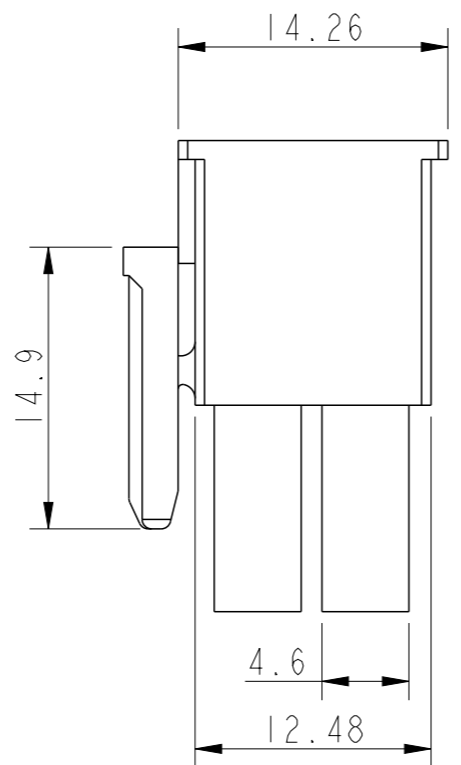
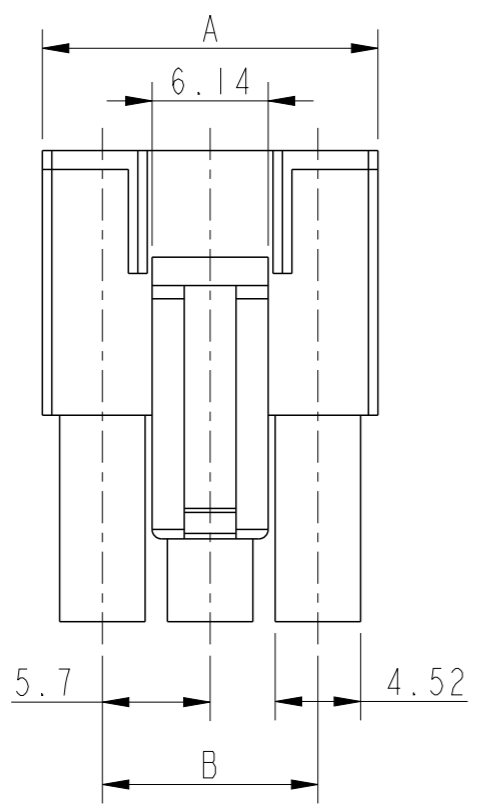
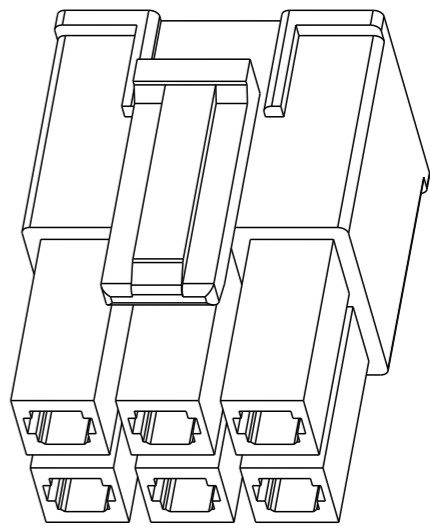


PART NUMBER  
10142707-XXLF



PART NUMBER:  
10142707-XX LF  
PIN COUNT:  
02~12 PIN

PIN	DIM A	DIM B
02	8.35	-
04	12.05	5.70
06	17.75	11.40
08	23.45	17.10
10	29.15	22.80
12	34.85	28.50



- NOTES:
- MATERIAL: PA66 UL94V-2, HALOGEN FREE, GLOW WIRE COMPATIBLE.
  - COLOR: BLACK.
  - RoHS COMPLIANT.
  - CRIMP TERMINAL P/N: 10143250.
  - MATE WITH HEADER P/N: 10142708.
  - PRODUCT SPEC: GS-12-1405.
  - PACKAGE SPEC: GS-14-2595.

Amphenol  
FCi

© 2016 AFCI

spec ref	dr Tony Leng 2017/02/10			projection	mm	size A3	scale 5:2
tolerance std	eng Tony Leng 2018/01/05					ecn no ELX-N-28879-1	rel level Released
TOLERANCES UNLESS OTHERWISE SPECIFIED			chr -			product family	
surface	linear	0.X	±0.30	<b>Amphenol FCI</b>	title Minitek Power 5.7 HSG	dwg no 10142707	rev B
		0.XX	±0.20				
		0.XXX	±0.10				
	angular	0°	±2°	cat. no.	Product - Customer Drw	sheet 1 of 2	

1

2

3

4

A

B

C

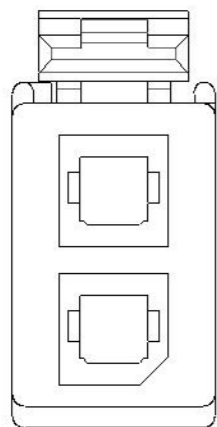
D

A

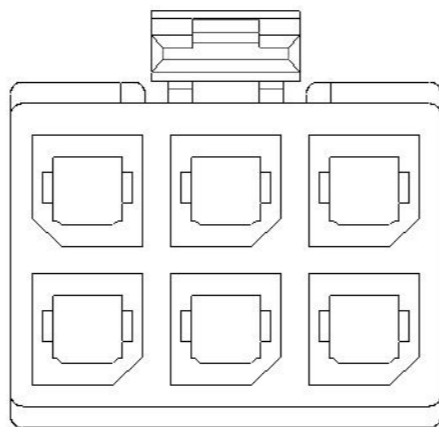
B

C

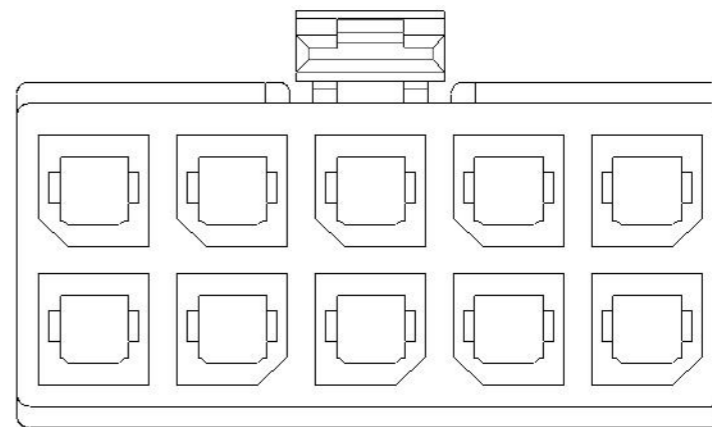
D



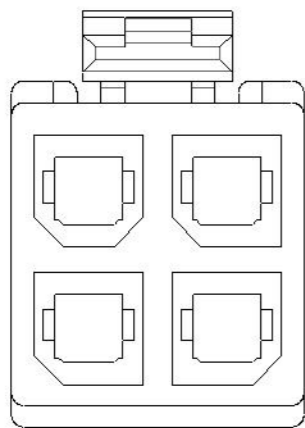
02P



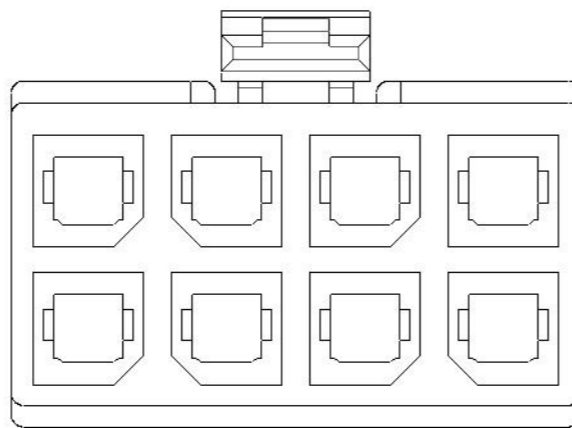
06P



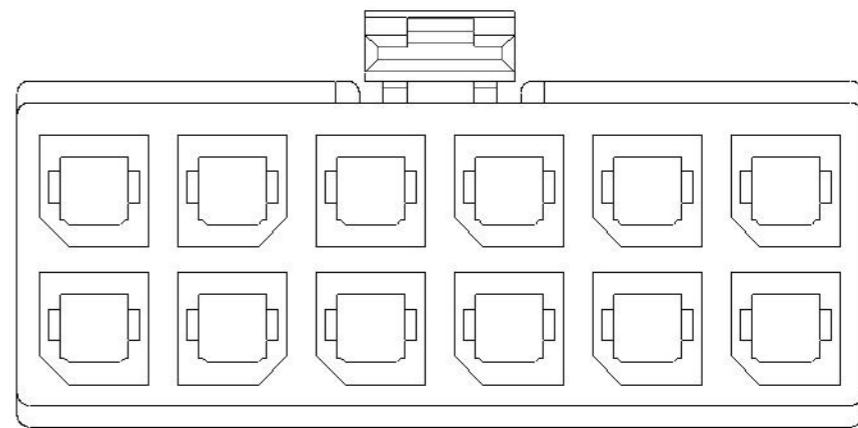
10P



04P



08P



12P

Amphenol  
FCi

© 2016 AFCI

spec ref		dr	Tony Leng	2017/02/10	projection 	mm 	size	A3	scale	5:2
tolerance std		eng	Tony Leng	2018/01/05			ecn no	ELX-N-28879-1		
TOLERANCES UNLESS OTHERWISE SPECIFIED		chr	-	-			rel level	Released		
surface	linear	0.X	±0.30	Amphenol FCi	title	Minitek Power 5.7 HSG	dwg no	10142707	rev	B
		0.XX	±0.20							
		0.XXX	±0.10							
	angular	0°	±2°	cat. no.	Product - Customer Drw	sheet 2 of 2				