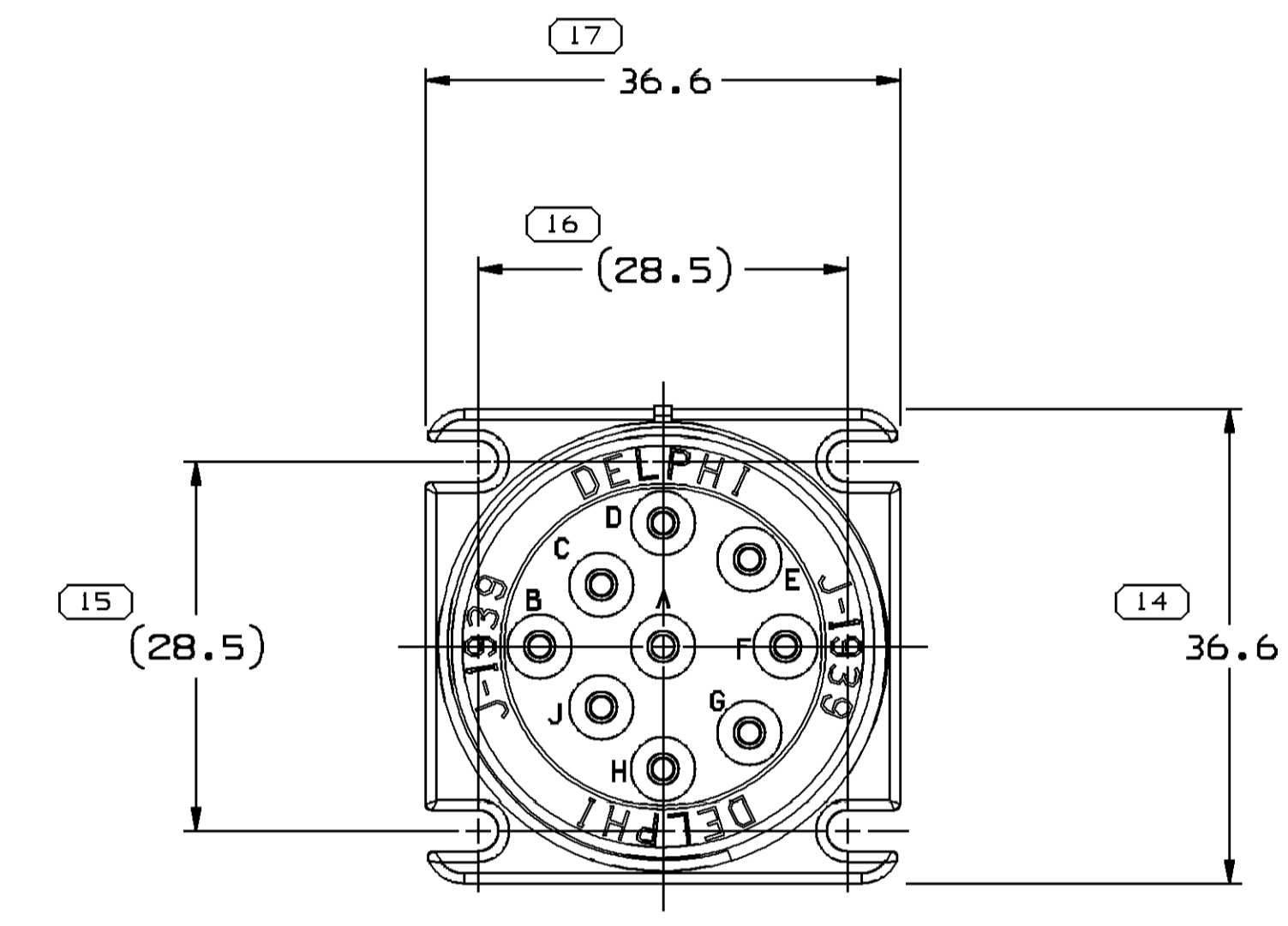
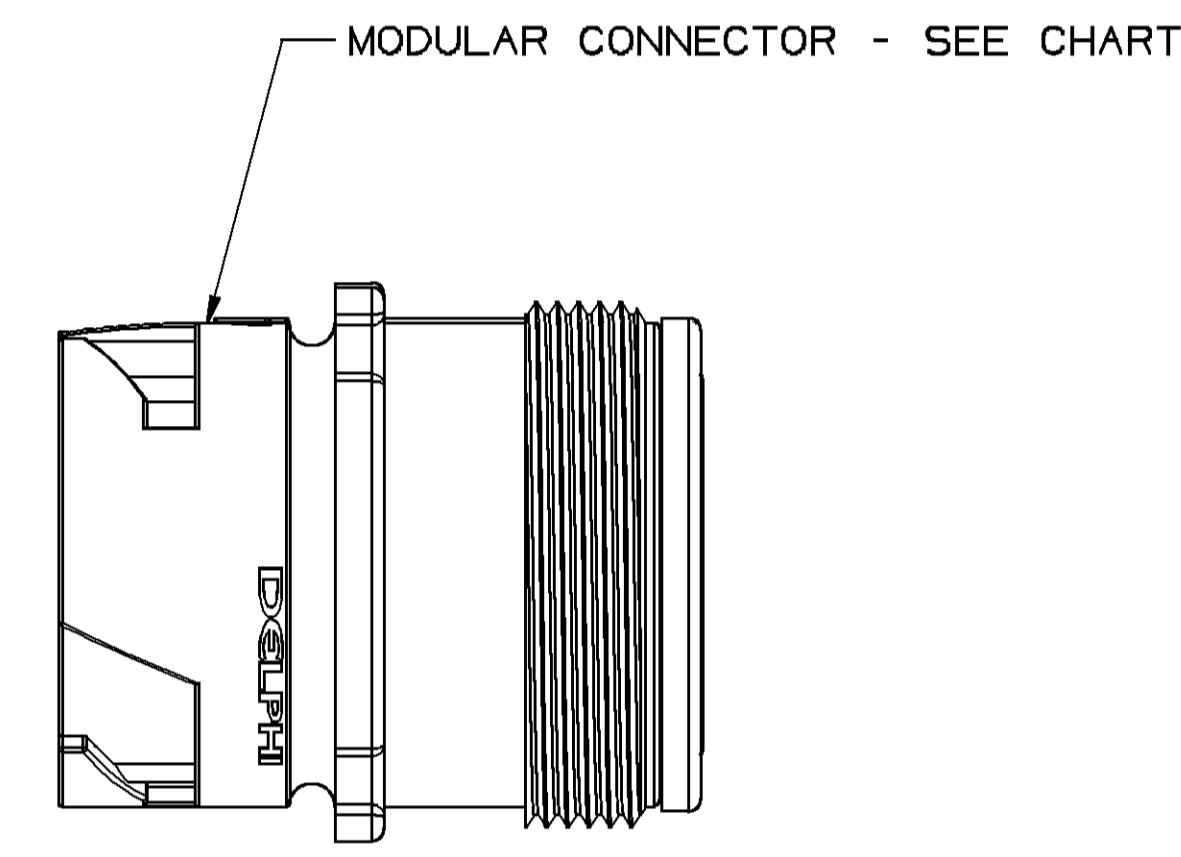
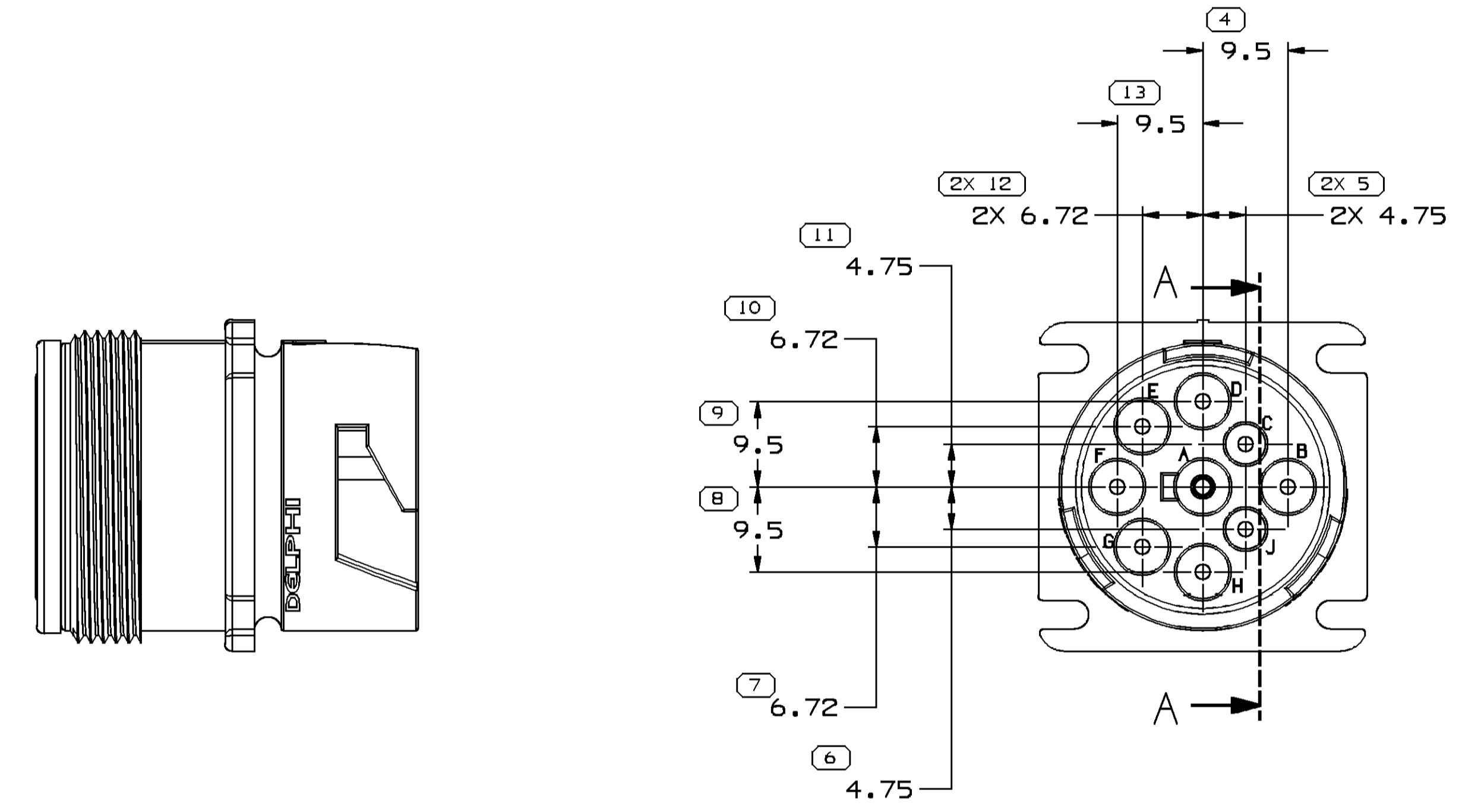
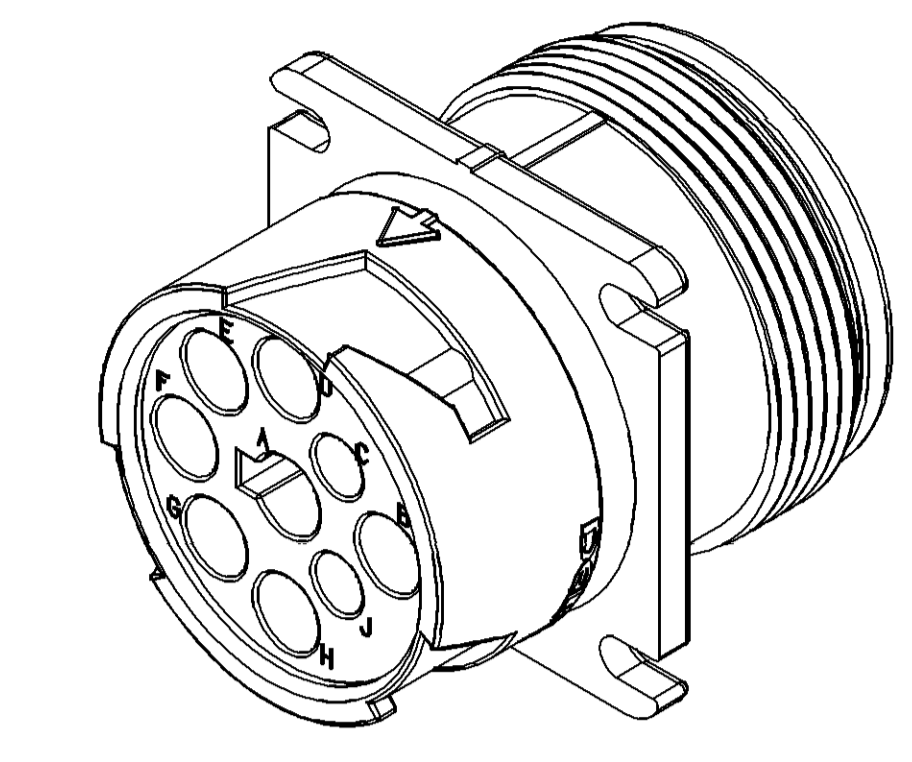
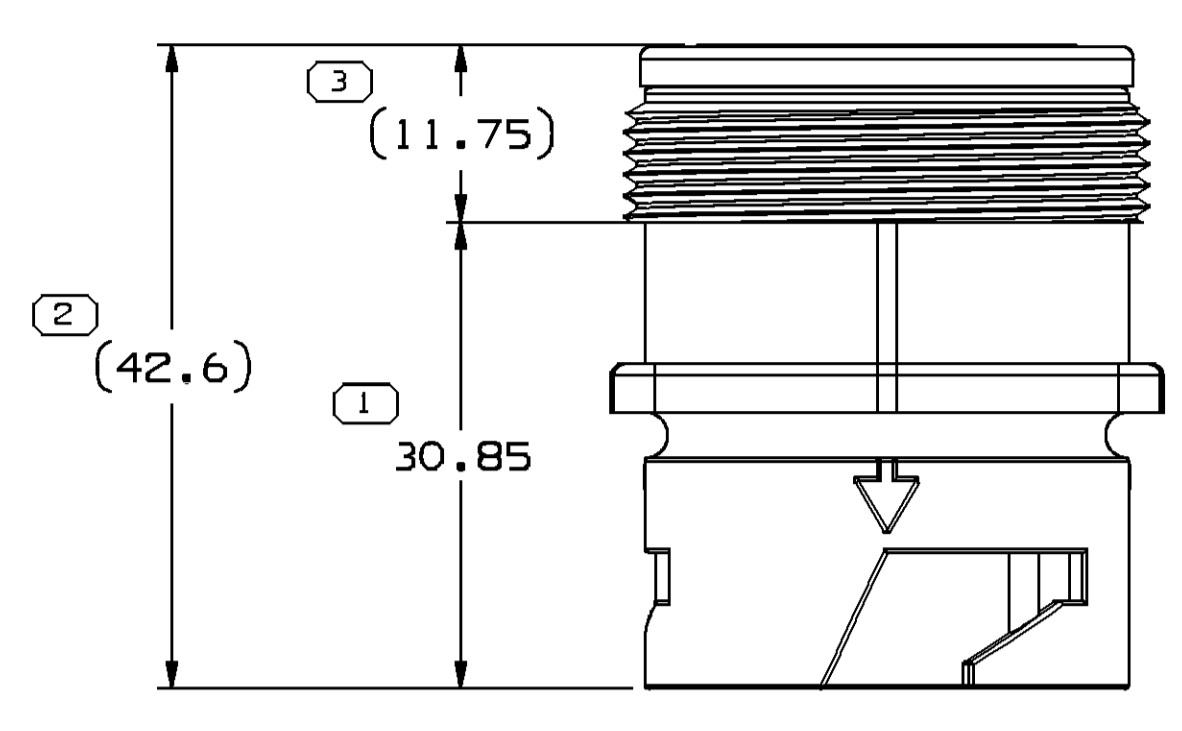
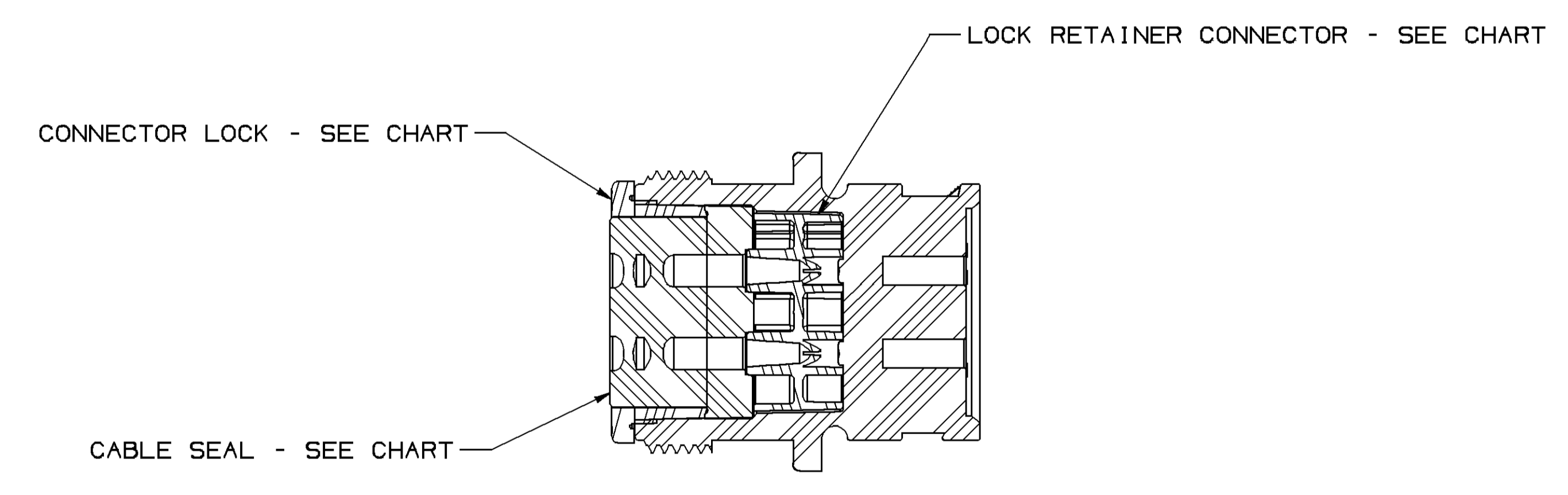


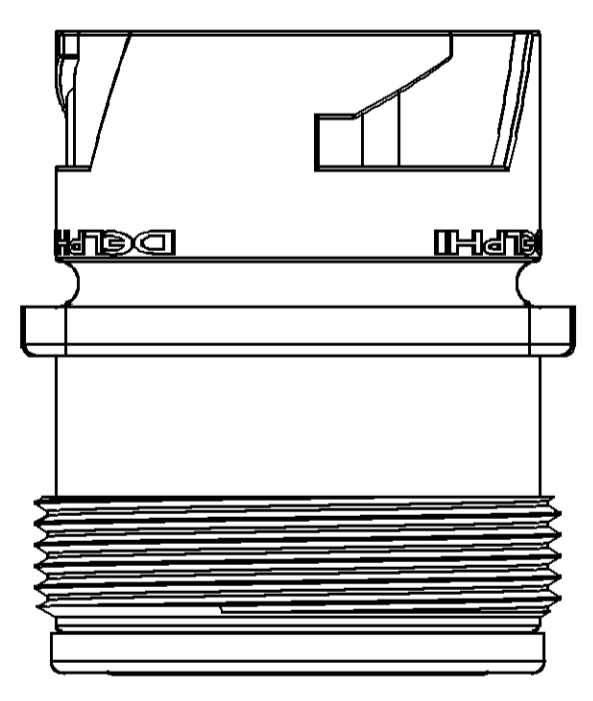
SYMBOL DEFINITION		MISSING SYMBOLS		DWS STATUS		REVISION HISTORY		AUTH		DR		APVD					
A DIMENSION WITHOUT AN INSPECTION REPORT SYMBOL ( ) DOES NOT REQUIRE INSPECTION. IT MAY BE CONTROLLED ON THE INDIVIDUAL COMPONENT DRAWING.		TOTAL NO OF INSPECTIONS REQUIRED		NO MISSING SYMBOL NUMBER		DATE	STG	REV	N/P	CHG	ZONE	13690621 - WAS ON SHT 1 AND ADDED DUST COVER NOTE		413585	AHY	JAA	OR
		19				15MR11	R	01	-	-							
		17															



TYPE 202



SECTION A-A



NOTES

- UNLESS OTHERWISE SPECIFIED AND/OR INDICATED:  
DIMENSIONS ARE TO FACE OF VIEW SHOWN AND AUTOMATICALLY ROUNDED BY COMPUTER FOR INSPECTION (SEE MATH MODEL FOR PRECISE DIMENSIONS). FOR ALL OTHER DIMENSIONS NOT SHOWN BUT REQUIRED FOR TOOL BUILD, SEE MATH MODEL FOR PRECISE TOOL PATH DATA.
- WHEN PARTS ARE SHIPPED THEY MUST BE PACKED IN PLASTIC BAGS OR SHIPPING CONTAINERS MUST BE LINED WITH PLASTIC LINERS. BAGS OR LINERS MUST BE SEALED TO AVOID FOREIGN MATTER.
- SEALING REQUIREMENTS - CONNECTOR MEETS SAE-J2030
- FOR APPLICATION DATA SEE THE INDIVIDUAL APPLICATION DRAWINGS.
- THIS PRODUCT IS NOT CATEGORIZED AS AN APPEARANCE ITEM, MINOR IMPERFECTIONS INCLUDING, BUT NOT LIMITED TO, FLOW MARKS, COLOR BLEMISHES, GATE VESTIGE, AND SOFT FLASH THAT DO NOT AFFECT THE FIT, FORM, OR FUNCTION OF THE PART ARE PERMISSIBLE PER DPNP-4.7-CS-01.
- CABLE SEAL WIRE DIAMETER RANGE IS 2.1 TO 4.9mm
- SONIC WELDED SEAL RETAINER PULL RETENTION FORCE TO EXCEED 1000 NEWTON'S
- DUST COVER WITH TEATHER 13667277 TO BE ASSEMBLED TO CONNECTOR AFTER HARNESS BUILD

PART NO	REV	N/P	STATUS	TYPE	13667272	13667276	13667274	13667273
13690621	01	AD	-	202	MODULAR CONN	LOCK CONN	CABLE SEAL	LOCK RETAINER CONN

DIMENSIONAL RANGE (MM)	CHART	EST
FROM > 0	> 20	> 30
TO 20	30	70
	70	100
	100	150
	150	200
	200	250
	250	300
	300	400

**DELPHI**  
DELPHI PACKARD ELECTRICAL/ELECTRONIC ARCHITECTURE  
WARREN, OH

OR  
APVD1 MA, ANTONIETA HDZ 15MR11  
APVD2 J.S. ALVARADO 15MR11  
APVD3 GLENN ROBINSON 15MR11  
APVD4

THIS DOCUMENT IS IN ACCORDANCE WITH ASME Y14.5M-1994 AS MODIFIED BY THE 3M GLOBAL DIMENSIONING AND TOLERANCING ADDENDUM-2001. SEPARATE PATTERNS OF FEATURES MAY BE SHOWN SEPARATELY, REGARDLESS OF DATUM REFERENCES.

ALL DIMENSIONS ARE IN MILLIMETERS

UNLESS OTHERWISE SPECIFIED

REFERENCE

THIRD ANGLE PROJECTION

DO NOT SCALE

USE MATH DATA

DRAWING NUMBER  
**13790231**

SIZE A0 SCALE 2:1 FRAME NO 1 OF 1 SHEET NO 2 OF 2 STG REV N/P R 01 -