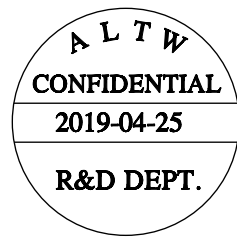
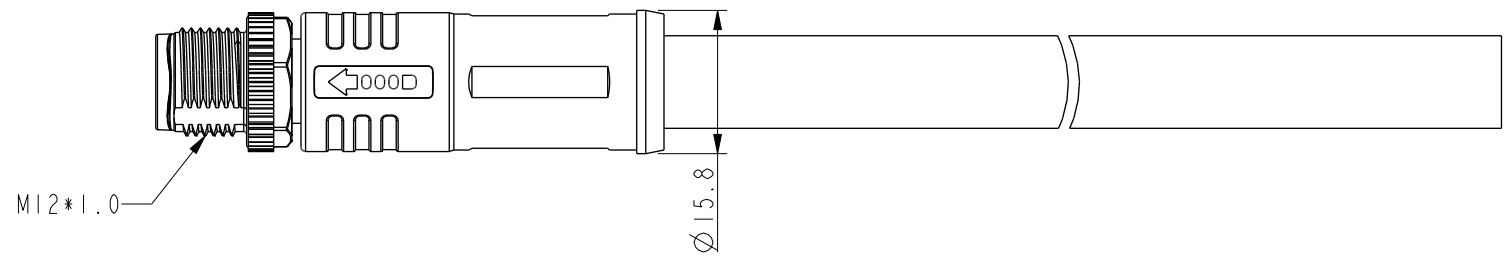
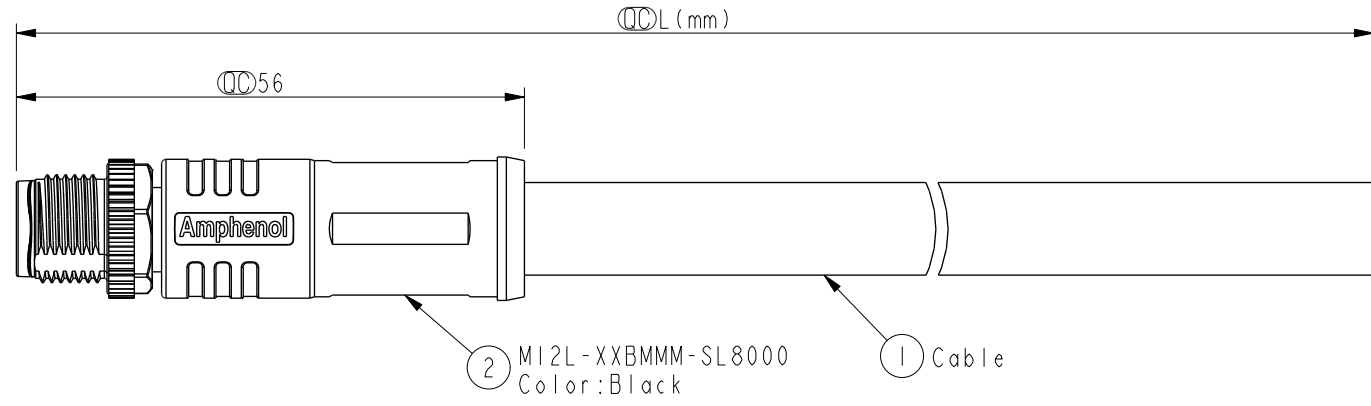


THIS DOCUMENT IS SUBJECT TO CHANGE WITHOUT NOTICE. IT IS CONFIDENTIAL AND A PROPERTY OF Amphenol LTW. DISCLOSURE TO THIRD PARTY HAS TO BE AUTHORIZED BY Amphenol LTW.

REV.	ECN NO.	DATE	SIGN	DESCRIPTION
A		2019-04-25	Allen Pan	05版轉A



4	-	-	4	-	-	4	Gray	黑	4	-	-	4	-	-	4	Gray	黑
3	Blue	藍	3	Blue	藍	3	Blue	藍	3	Blue	藍	3	Blue	藍	3	Blue	藍
2	Black	白	2	Black	白	2	Black	白	2	Black	白	2	Black	白	2	Black	白
1	-	-	1	White	棕	1	White	棕	1	-	-	1	White	棕	1	White	棕
FE	-	-	FE	-	-	FE	-	-	FE	Brown	灰	FE	Brown	灰	FE	Brown	灰
Pin #	Wire		Pin #	Wire		Pin #	Wire		Pin #	Wire		Pin #	Wire		Pin #	Wire	
2P			3P			4P			2+FE			3+FE			4+FE		

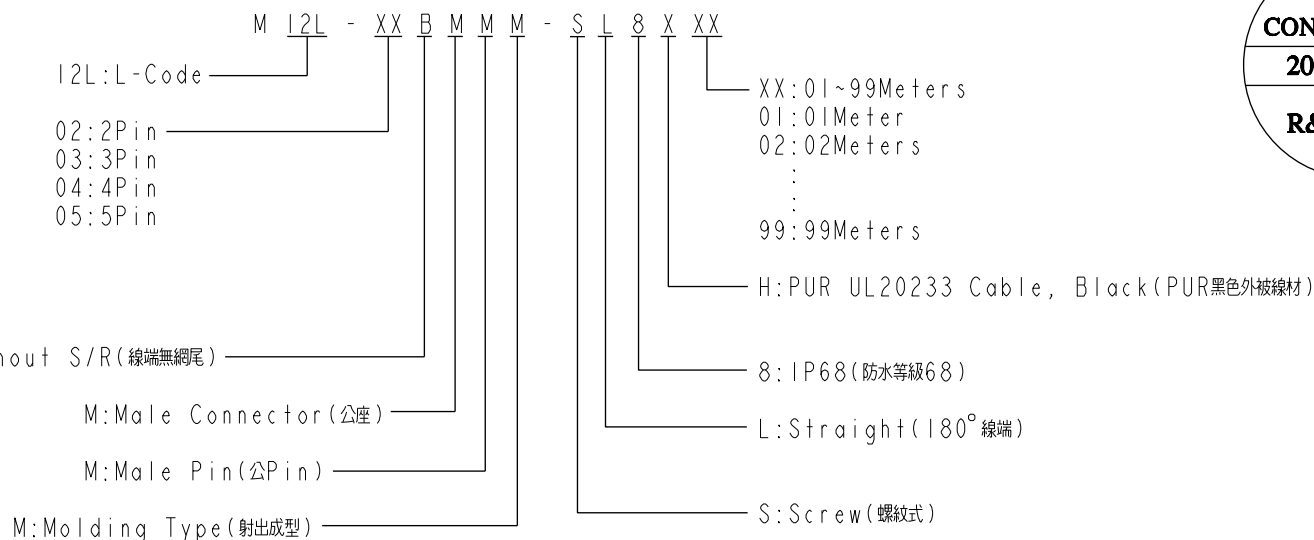
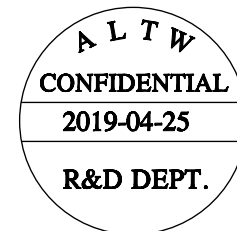
Pin Assignments Front View

- Notes:
- * $\varnothing\varnothing$ Important Dimension to Check.
 - * Waterproof Rate: IP68(1M, 24Hour).
 - * Housing: Thermoplastic, Black.
 - * Pin: Copper Alloy, Gold Plated.
 - * Nut: Zinc Alloy, Nickel Plated.
 - * Outer Mold: Thermoplastic, Black.
 - * Cable: UL20233, 14AWG, PUR Jacket, Black
 - * Rated Voltage: 63V DC.
 - * Rated Current: 16A
 - * Operating Temperature: -25~80°C
 - * Cable Length Tolerance: 01M:±40mm
02M~05M:±60mm
06M~10M:±100mm
11M~30M:±200mm
31M~99M:±500mm

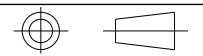
UNIT:mm		TITLE	M12 L-CODE, STRAIGHT, MALE CONN + CABLE		ITEM NO	M12L-XXBMMM-SL8XXX	DRAWN BY	Allen Pan	DATE	2019-04-25	
TOLERANCE	±0.5mm	SCALE	6:5	SIZE	A4	DWG NO	M12L-XXBMMM-SL8XXX	CHECKED BY	Fred Lee	DATE	2019-04-25
		REV.	A	WC-REV.	A.11	CUSTOMER	ALTW	APPROVED BY	Fred Lee	DATE	2019-04-25

Amphenol LTW
安費諾亮泰企業股份有限公司

THIS DOCUMENT IS SUBJECT TO CHANGE WITHOUT NOTICE. IT IS CONFIDENTIAL AND A PROPERTY OF Amphenol LTW. DISCLOSURE TO THIRD PARTY HAS TO BE AUTHORIZED BY Amphenol LTW.



UNIT: mm
TOLERANCE
±0.5mm



TITLE MI2 L-CODE, STRAIGHT, MALE CONN + CABLE			
SCALE 6:5	SIZE A4	SHEET 2 OF 2	
REV. A	WC-REV. A.11	QC: Inspection item	

Amphenol LTW
安費諾亮泰企業股份有限公司

ITEM NO MI2L-XXBMMM-SL8XXX	DRAWN BY Allen Pan	DATE 2019-04-25
DWG NO MI2L-XXBMMM-SL8XXX	CHECKED BY Fred Lee	DATE 2019-04-25
CUSTOMER ALTW	APPROVED BY Fred Lee	DATE 2019-04-25

Mouser Electronics

Authorized Distributor

Click to View Pricing, Inventory, Delivery & Lifecycle Information:

[Amphenol:](#)

[M12L-05BMMM-SL8H02](#) [M12L-05BMMM-SL8H01](#) [M12L-05BMMM-SL8H05](#) [M12L-05BMEM-SL8H01](#) [M12L-05BMEM-SL8H05](#)