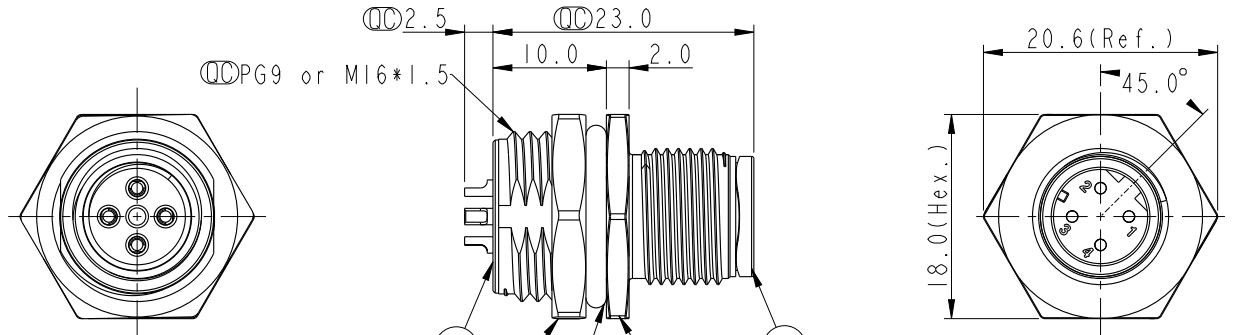
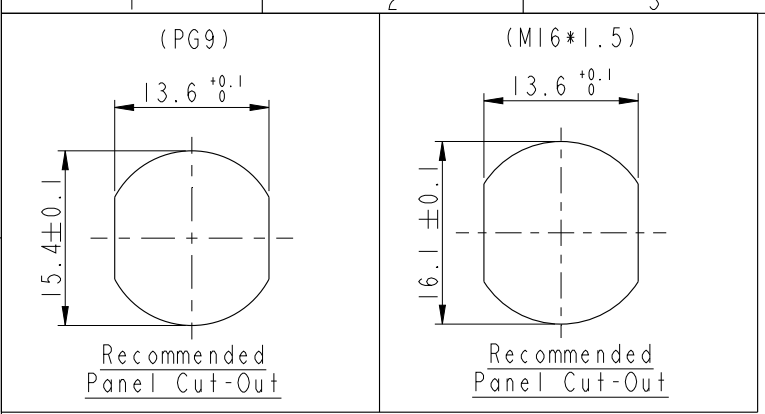


THIS DOCUMENT IS SUBJECT TO CHANGE WITHOUT NOTICE. IT IS CONFIDENTIAL AND A PROPERTY OF AMPHENOL LTW. DISCLOSURE TO THIRD PARTY HAS TO BE AUTHORIZED BY AMPHENOL LTW.

REV.	ECN NO.	DATE	SIGN	DESCRIPTION
B	LEN1580019-020	2015/07/24	Yulong_wang	Change to Share Drawing.
C	LEN1690147-148	2016/08/23	Yulong_wang	Add 3, 5 Pin & IP69K.

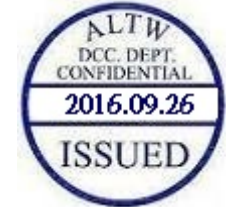
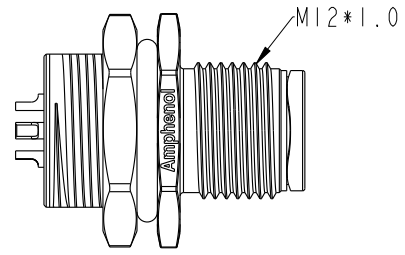


M I2D - XX P M M S - S H 8 XXX

I2D: D-Code
 03: 3Pin
 04: 4Pin
 05: 5Pin

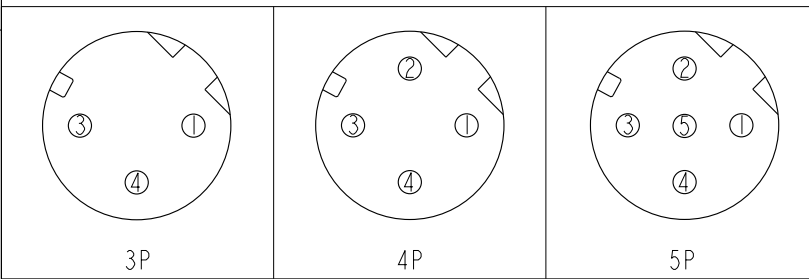
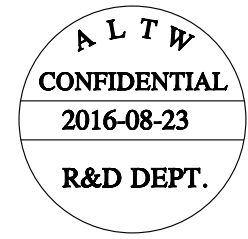
P: Panel (板端)
 M: Male Connector (公座)
 M: Male Pin (公Pin)

001: PG9
 002: M16*1.5
 8: IP68/69K (防水等級68/69K)
 H: Rear Fasten (后鎖式/Enclosure Front Mount)
 S: Screw (螺紋式)
 S: Solder Type (焊接式)



Note:

- * \varnothing Important Dimension.
- * Waterproof Rate: IP68, IP69K.
- * Housing: Nylon+GF, Black.
- * Male Pin: Copper Alloy, Gold Plated.
- * Shield: Zinc Alloy, Nickel Plated.
- * Screw Nut: Zinc Alloy, Nickel Plated.
- * Panel O-Ring: Viton, Black.
- * Rated Voltage: 3 & 4Pin 250V dc. or ac.
5Pin 60V dc. or ac.
- * Rated Current: 4A
- * Operating Temperature: -40~+105°C
- * For Panel Thickness Max 4.5mm.
- * Recommended Nut Torque: 4-6 Kgf.cm.



Pin Assignment Front View

UNIT: mm		TITLE		ITEM NO.	DRAWN BY	DATE
		M12 D-Code Male Conn. Solder Rear Type		DWG NO.	Yulong_wang	2016-08-23
TOLERANCE		SCALE	SIZE	SHEET	CHECKED BY	DATE
.X ±0.25 .XX ±0.1 .XXX ±0.05 ANGLES ±1°		2:1	A4	1 OF 1	Jinhai	2016-08-23
REV. C		WC-REV. A.5	\varnothing : Inspection item		APPROVED BY	DATE
			Amphenol LTW 安費諾亮泰企業股份有限公司		Jerry	2016-08-23
			CUSTOMER ALTW			

Mouser Electronics

Authorized Distributor

Click to View Pricing, Inventory, Delivery & Lifecycle Information:

[Amphenol:](#)

[M12D-04PMMS-SH8001](#)