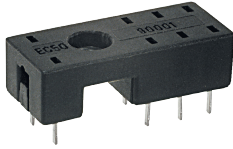


Plug-in sockets and accessories

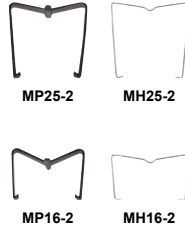
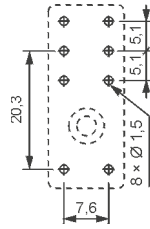
EC 50

For RM84, RM85, RM85 inrush, RM85 105 °C sensitive, RM87L, RM87L sensitive, RM87P, RM87P sensitive, RM83, RMP84, RMP85

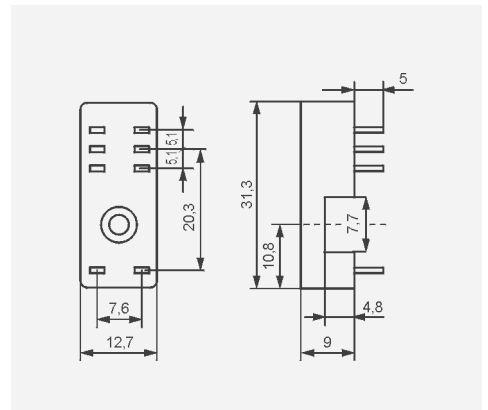
For PCB
31,3 x 12,7 x 9 mm
Two poles, 5 mm pinout
8 A, 300 V AC



Pinout



Dimensions



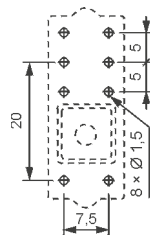
PW80

For RM84, RM85, RM85 inrush, RM85 105 °C sensitive, RM87L, RM87L sensitive, RM87P, RM87P sensitive, RM83

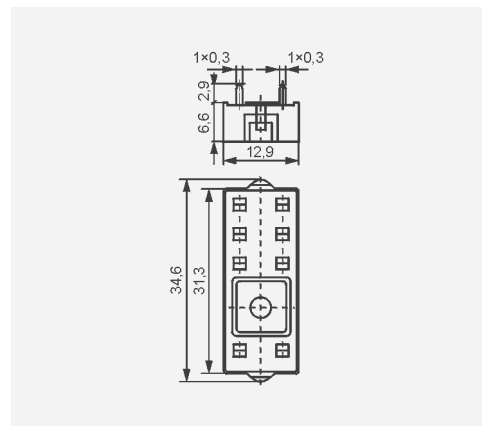
For PCB
34,6 x 12,9 x 6,6 mm
Two poles, 5 mm pinout
8 A, 250 V AC



Pinout



Dimensions



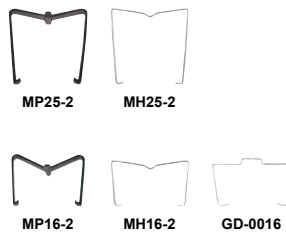
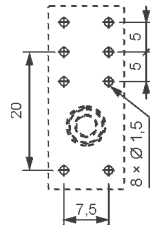
GD50

For RM84, RM85, RM85 inrush, RM85 105 °C sensitive, RM87L, RM87L sensitive, RM87P, RM87P sensitive, RM83, RMP84, RMP85

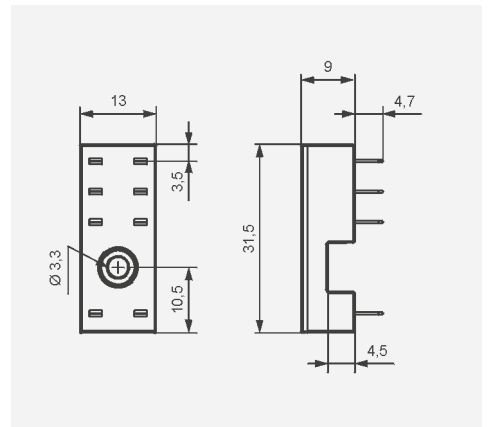
For PCB
31,5 x 13 x 9 mm
Two poles, 5 mm pinout
8 A, 300 V AC



Pinout



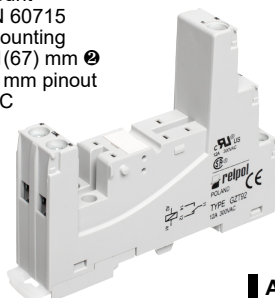
Dimensions



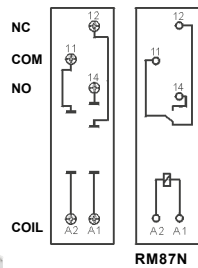
GZT92

For RM87N, RM87N sensitive

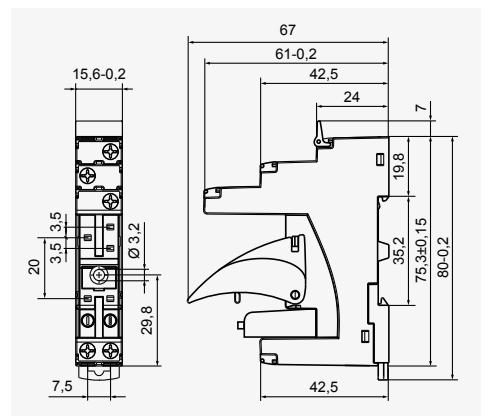
Screw terminals
Max. tightening moment for the terminal: 0,7 Nm
35 mm rail mount acc. to PN-EN 60715 or on panel mounting
80 x 15,6 x 61(67) mm
One pole, 3,5 mm pinout
12 A, 300 V AC



Connection diagrams



Dimensions



① Mounting and sub-assemblies of accessories in the socket - see page 16. Signalling / protecting modules type M... - see page 17.
② In the bracket the height of socket with retainer / retractor clip is shown.