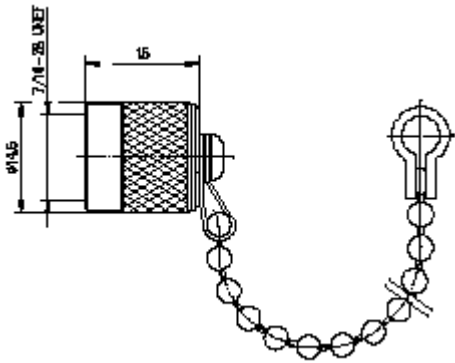


# TNC Dust Cap

Order-Nr.

H00050A0000

Combination connectors and cable clamps (see chapter 15) can be utilised to create a further number of TNC-connector variations.



Order-Nr.  
H00000A1239

