

## INTRODUCTION

Amphenol is a leading designer, manufacture and marketer of interconnection solutions since 1972. Amphenol is the first Company in India who started manufacturing high performance connectors. These expertise and capabilities enables us to turn your interconnection problems to solutions

Amphenol Back Shells and Accessories are developed for environmental protection needs of circular connectors. These are designed to meet the requirements of military standards. The Military numbers indicated in this catalogue are for reference only.

This catalogue describes the standard and special purpose designs used in Military and industrial circular connectors meeting the following specifications.

MIL-C-5015  
MIL-C-26482  
MIL-C-38999  
MIL-C-55116

### Index

| Contents                | Page |
|-------------------------|------|
| Series 62 IN            | 2    |
| Series MS/97/97B        | 10   |
| Series MS347 & MS Crimp | 17   |
| Series 38999            | 24   |
| Series 164              | 31   |

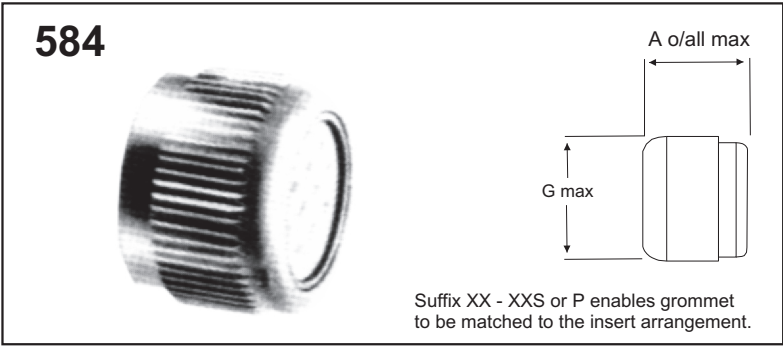
## **SERIES 62IN**

These are the accessories compatible with miniature circular bayonet-coupled connectors according to MIL-C-26482 Series 1. The standard finishes of these accessories are Cadmium with olive drab chromate. Other alternate finishes are also available on request.

|                 |   |
|-----------------|---|
| <b>62IN-584</b> | <b>Grommet seal &amp; nut</b>                             |
| <b>62IN-585</b> | <b>Grommet seal &amp; nut with Strain Relief Clamp</b>    |
| <b>62IN-720</b> | <b>Clamp for Unscreened jacketed cable</b>                |
| <b>62IN-776</b> | <b>General duty shell</b>                                 |
| <b>62IN-736</b> | <b>Cap with chain for single hole mounting Receptacle</b> |
| <b>62IN-737</b> | <b>Cap with chain for cable Receptacle</b>                |
| <b>62IN-738</b> | <b>Cap with chain for flange mounting Receptacle</b>      |
| <b>62IN-742</b> | <b>Cap with chain for plug</b>                            |
| <b>62IN-810</b> | <b>Cap with Chord for plug</b>                            |
| <b>62IN-812</b> | <b>Cap with Chord fo flange Receptacle</b>                |
| <b>62IN-813</b> | <b>Cap with Chord for single hole mount Receptacle</b>    |
| <b>62IN-814</b> | <b>Cap with Chord for cable Receptacle</b>                |
| <b>62IN-760</b> | <b>Flange mounting gasket</b>                             |
| <b>62IN-pg</b>  | <b>PG Adapter</b>   |

**62IN - 584 - XX - XXS or P**

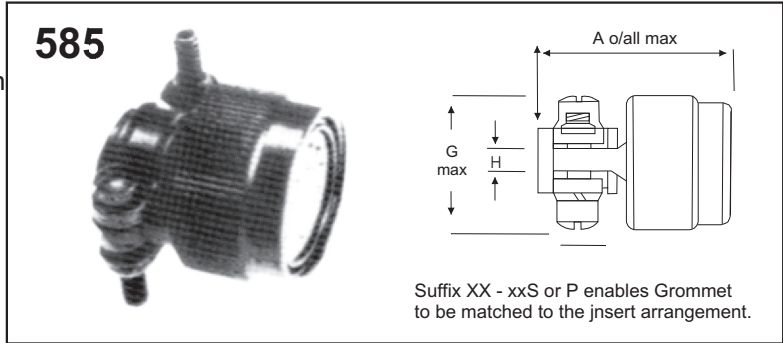
Grommet seal and nut provides an environmental for the exposed solder buckets in the open back class T shells.



| Shell Size | A     | G max |
|------------|-------|-------|
| 08         | 13.84 | 14.25 |
| 10         | 13.84 | 17.43 |
| 12         | 13.84 | 20.60 |
| 14         | 13.84 | 23.78 |
| 16         | 13.84 | 26.95 |
| 18         | 13.84 | 30.13 |
| 20         | 13.84 | 33.30 |
| 22         | 13.84 | 36.75 |
| 24         | 12.73 | 39.65 |

**62IN - 585 XX- XXS or P**

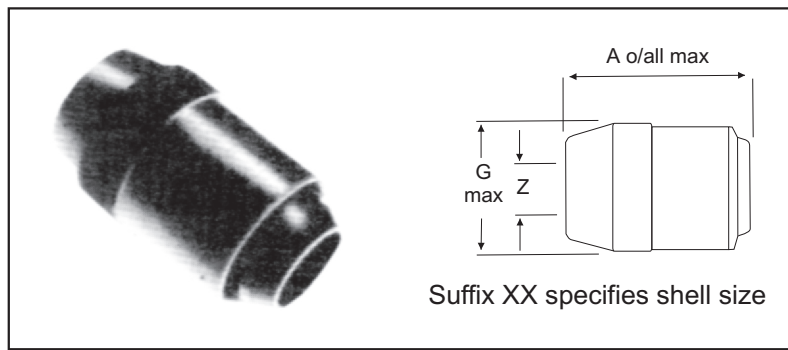
Grommet and nut with strain relief clamp. The clamp prevents the flexing of the wires in the immediate vicinity of the risers, so avoiding the risk of leaks.



| Shell Size | A max | G max | H max |
|------------|-------|-------|-------|
| 08         | 25.17 | 21.03 | 4.09  |
| 10         | 25.17 | 22.63 | 4.90  |
| 12         | 25.17 | 25.81 | 8.05  |
| 14         | 24.51 | 28.98 | 9.65  |
| 16         | 28.07 | 36.22 | 16.00 |
| 18         | 28.07 | 36.22 | 16.00 |
| 20         | 32.64 | 36.22 | 16.00 |
| 22         | 32.64 | 39.80 | 19.18 |
| 24         | 34.88 | 44.07 | 20.45 |

**62IN - 720 - XX**

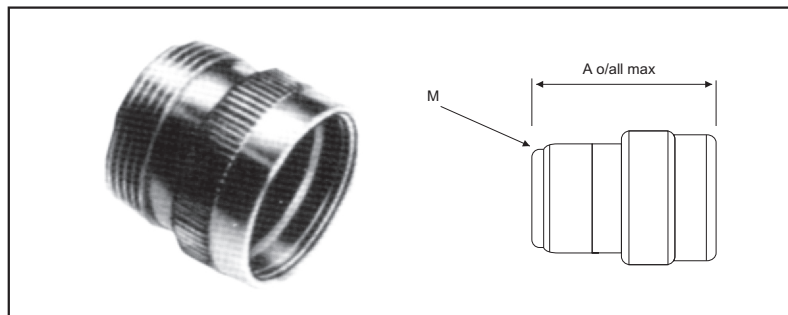
Clamp for unscreened jacketed cable  
No grommet is supplied, for use with  
50T, 51T and 56T styles.



| Shell Size | A max | G max | Z      |       |
|------------|-------|-------|--------|-------|
|            |       |       | closed | free  |
| 08         | 27.56 | 14.25 | 4.28   | 5.84  |
| 10         | 26.92 | 17.43 | 5.21   | 7.93  |
| 12         | 29.46 | 20.60 | 8.59   | 11.23 |
| 14         | 34.54 | 23.78 | 10.57  | 13.69 |
| 16         | 40.26 | 26.95 | 13.97  | 15.65 |
| 18         | 45.34 | 30.13 | 15.24  | 17.57 |
| 20         | 50.32 | 33.30 | 16.13  | 18.98 |
| 22         | 55.39 | 36.75 | 17.02  | 21.49 |
| 24         | 56.28 | 39.65 | 18.80  | 22.71 |

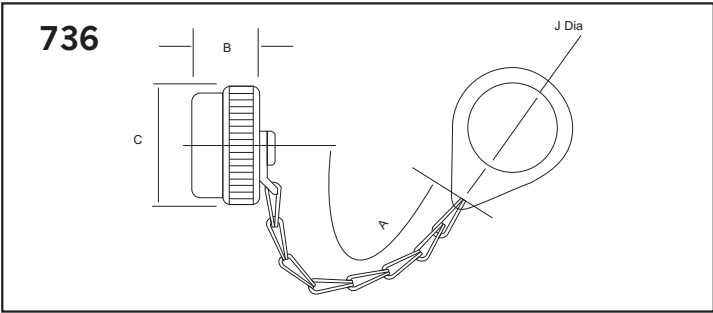
**62IN -776**

General duty shell to accept conduit,  
AN 3057 or  
MS 3057 A cable clamps and heat  
shrink sleeves.



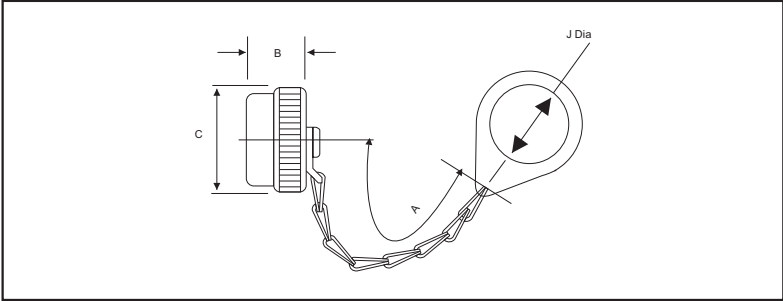
| Shell Size | A Max | M Thred         |
|------------|-------|-----------------|
| 08         | 23.80 | 1/2 - 28 UNEF   |
| 10         | 23.80 | 5/8 - 24 NEF    |
| 12         | 23.8  | 3/4 - 20 UNEF   |
| 14         | 23.80 | 7/8 - 20 UNEF   |
| 16         | 23.8  | 1 -20 UNEF      |
| 18         | 23.80 | 1.3/16 -18 NEF  |
| 20         | 23.8  | 1.3/16 - 18 NEF |
| 22         | 23.80 | 1.7/16 - 18 NEF |
| 24         | 23.8  | 1.7/16 - 18 NEF |

**62IN - 736**  
 Cap and chains for single hole  
 mounting receptacles



| Shell Size | A<br>-6.35 | B<br>-0.13 | C<br>DIA MAX | J<br>+ 0.127 |
|------------|------------|------------|--------------|--------------|
| 08         | 76.2       | 13.23      | 18.64        | 14.68        |
| 10         | 76.2       | 13.23      | 21.82        | 17.86        |
| 12         | 88.9       | 13.23      | 25.4         | 22.63        |
| 14         | 88.9       | 13.23      | 28.57        | 25.81        |
| 16         | 88.9       | 13.23      | 31.75        | 29.39        |
| 18         | 88.9       | 13.23      | 34.92        | 32.16        |
| 20         | 101.6      | 13.23      | 38.1         | 35.33        |
| 22         | 101.6      | 13.23      | 41.27        | 38.51        |
| 24         | 101.6      | 14.12      | 44.45        | 41.68        |

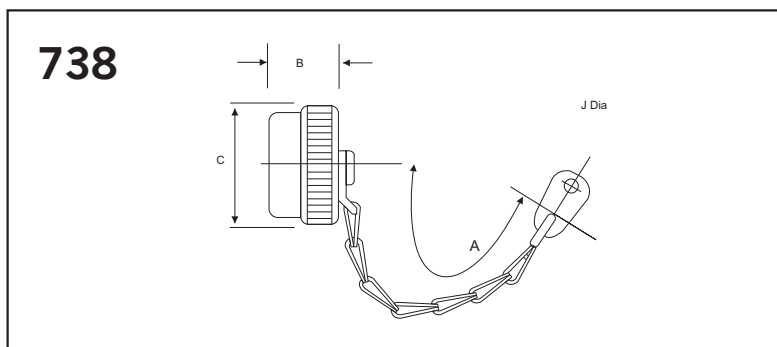
**62IN - 737**  
 Caps and chains for cable  
 mounting receptacles



| Shell Size | A<br>-6.35 | B<br>-0.13 | C<br>DIA MAX | J<br>- 0.127 |
|------------|------------|------------|--------------|--------------|
| 08         | 76.2       | 15.21      | 18.64        | 11.63        |
| 10         | 76.2       | 15.21      | 21.82        | 14.81        |
| 12         | 88.9       | 15.21      | 25.4         | 17.98        |
| 14         | 88.9       | 15.21      | 28.57        | 22.76        |
| 16         | 88.9       | 15.21      | 31.75        | 25.93        |
| 18         | 88.9       | 15.21      | 34.92        | 29.11        |
| 20         | 101.6      | 15.21      | 38.1         | 32.28        |
| 22         | 101.6      | 15.21      | 41.27        | 35.46        |
| 24         | 101.6      | 15.21      | 44.45        | 38.63        |

**62IN - 736**

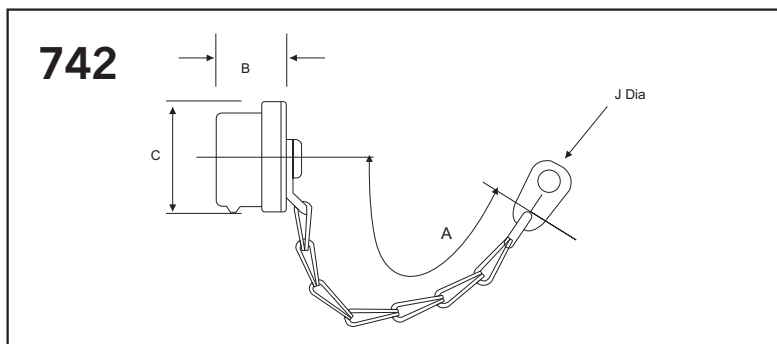
Caps and chains for flange mounting receptacles.



| Shell Size | A<br>- 6.35 | B<br>- 0.13 | C<br>dia<br>max | J<br>-0.127 |
|------------|-------------|-------------|-----------------|-------------|
| 08         | 76.2        | 13.23       | 18.64           | 3.18        |
| 10         | 76.2        | 13.23       | 21.82           | 3.18        |
| 12         | 88.9        | 13.23       | 25.4            | 3.18        |
| 14         | 88.9        | 13.23       | 28.57           | 3.18        |
| 16         | 88.9        | 13.23       | 31.75           | 3.18        |
| 18         | 88.9        | 13.23       | 34.92           | 3.18        |
| 20         | 101.6       | 13.23       | 38.1            | 3.18        |
| 22         | 101.6       | 13.23       | 41.27           | 3.18        |
| 24         | 101.6       | 14.12       | 44.45           | 3.86        |

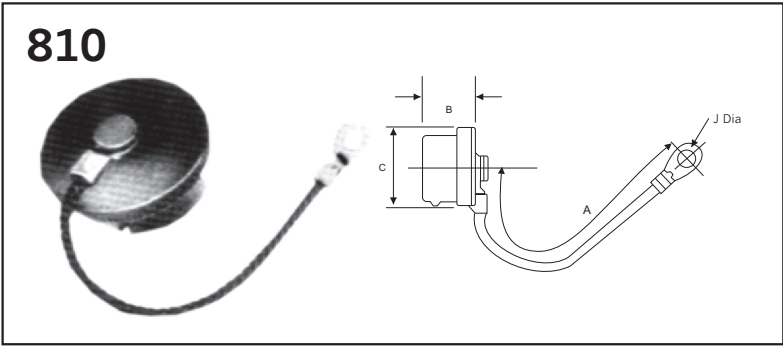
**62IN - 742**

Caps and chains for plugs.



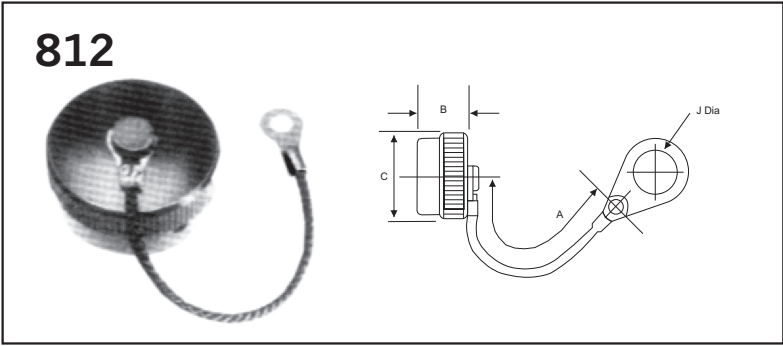
| Shell Size | A<br>- 6.35 | B<br>- 0.13 | C<br>dia<br>max | J<br>-0.127 |
|------------|-------------|-------------|-----------------|-------------|
| 08         | 76.2        | 13.25       | 18.26           | 3.18        |
| 10         | 76.2        | 13.25       | 21.43           | 3.18        |
| 12         | 88.9        | 13.25       | 25.4            | 3.18        |
| 14         | 88.9        | 13.25       | 28.57           | 3.18        |
| 16         | 88.9        | 13.25       | 31.75           | 3.18        |
| 18         | 88.9        | 13.25       | 34.92           | 3.18        |
| 20         | 101.6       | 14.83       | 38.1            | 3.18        |
| 22         | 101.6       | 14.83       | 41.27           | 3.18        |
| 24         | 101.6       | 15.67       | 44.45           | 3.86        |

**62IN - 810**  
Caps and cords for plugs



| Shell Size | A<br>- 6.35 | B<br>- 0.13 | C<br>dia<br>max | J<br>-0.8 |
|------------|-------------|-------------|-----------------|-----------|
| 08         | 76.2        | 13.25       | 18.26           | 3.68      |
| 10         | 76.2        | 13.25       | 21.43           | 3.68      |
| 12         | 88.9        | 13.25       | 25.4            | 3.68      |
| 14         | 88.9        | 13.25       | 28.57           | 3.68      |
| 16         | 88.9        | 13.25       | 31.75           | 3.68      |
| 20         | 101.6       | 14.83       | 38.1            | 3.68      |
| 22         | 101.6       | 14.83       | 41.27           | 3.68      |
| 24         | 101.6       | 15.67       | 44.45           | 4.34      |

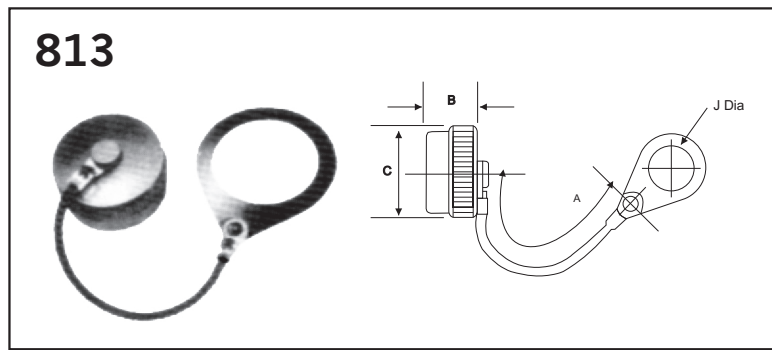
**62IN - 812**  
Caps and cords for flange mounting receptacles.



| Shell Size | A<br>- 6.35 | B<br>- 0.13 | C<br>dia<br>max | J<br>-0.08 |
|------------|-------------|-------------|-----------------|------------|
| 08         | 76.2        | 13.23       | 18.64           | 3.68       |
| 10         | 76.2        | 13.23       | 21.82           | 3.68       |
| 12         | 88.9        | 13.23       | 25.4            | 3.68       |
| 14         | 88.9        | 13.23       | 28.57           | 3.68       |
| 16         | 88.9        | 13.23       | 31.75           | 3.68       |
| 18         | 88.9        | 13.23       | 34.92           | 3.68       |
| 20         | 101.6       | 13.23       | 38.1            | 3.68       |
| 22         | 101.6       | 13.23       | 41.27           | 3.68       |
| 24         | 101.6       | 14.12       | 44.45           | 4.34       |

**62IN - 813**

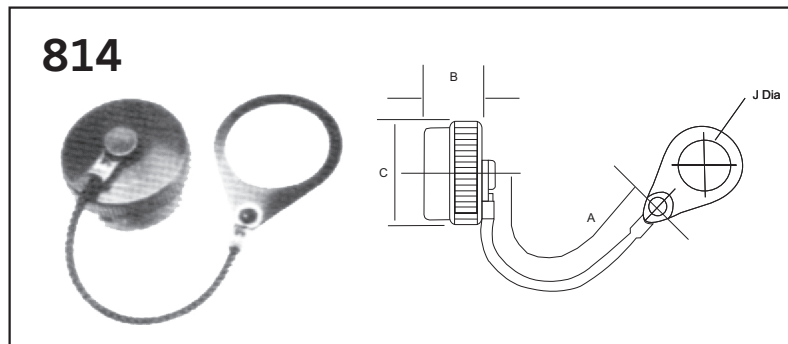
Caps and cords for single hole mounting receptacles.



| Shell Size | A<br>- 6.35 | B<br>- 0.13 | C<br>dia<br>max | J<br>-0.25 |
|------------|-------------|-------------|-----------------|------------|
| 08         | 76.2        | 13.23       | 18.64           | 14.68      |
| 10         | 76.2        | 13.23       | 21.82           | 17.86      |
| 12         | 88.9        | 13.23       | 25.4            | 22.63      |
| 14         | 88.9        | 13.23       | 28.57           | 25.81      |
| 16         | 88.9        | 13.23       | 31.75           | 29.39      |
| 18         | 88.9        | 13.23       | 34.92           | 32.15      |
| 20         | 101.6       | 13.23       | 38.1            | 35.33      |
| 22         | 101.6       | 13.23       | 41.27           | 38.51      |
| 24         | 101.6       | 14.12       | 44.45           | 41.68      |

**62IN - 814**

Caps and cords for cable mounting receptacles.

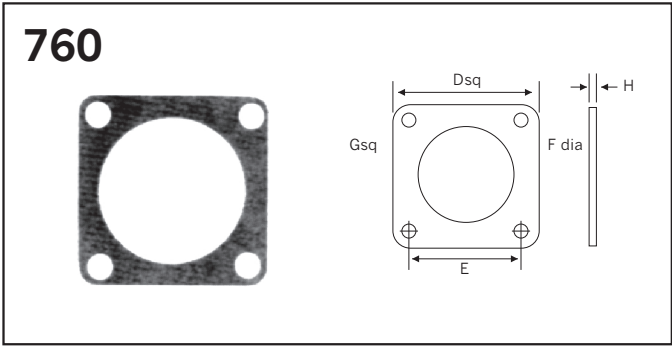


| Shell Size | A<br>- 6.35 | B<br>- 0.13 | C<br>dia<br>max | J<br>-0.25 |
|------------|-------------|-------------|-----------------|------------|
| 08         | 76.2        | 13.23       | 18.26           | 11.50      |
| 10         | 76.2        | 13.23       | 21.43           | 14.64      |
| 12         | 88.9        | 13.23       | 25.4            | 17.85      |
| 14         | 88.9        | 13.23       | 28.57           | 22.63      |
| 16         | 88.9        | 13.23       | 31.75           | 25.80      |
| 18         | 88.9        | 13.23       | 34.92           | 28.98      |
| 20         | 101.6       | 13.23       | 38.1            | 32.15      |
| 22         | 101.6       | 13.23       | 41.27           | 35.33      |
| 24         | 101.6       | 14.12       | 44.45           | 38.50      |



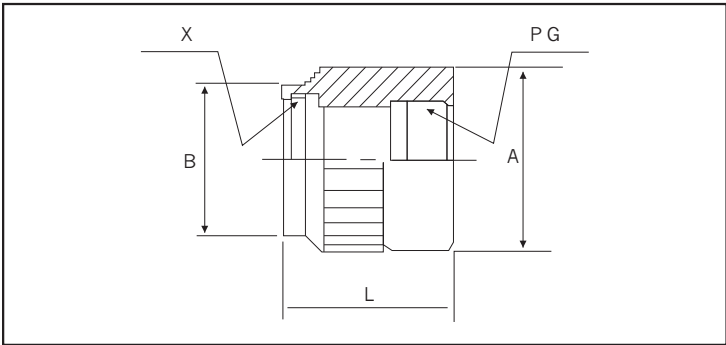
**62IN - 760**

Flange mounting gasket for box mounting and hermetic receptacles.



| Shell Size | D<br>±0.254 | E<br>±0.254 | F<br>±0.20 | G<br>+0.254 | H         |
|------------|-------------|-------------|------------|-------------|-----------|
| 08         | 20.62       | 15.08       | 12.90      | 3.30        | 1.06/0.40 |
| 10         | 23.82       | 18.26       | 16.07      | 3.30        | 1.06/0.40 |
| 12         | 26.18       | 20.65       | 19.25      | 3.30        | 1.06/0.40 |
| 14         | 28.57       | 23.01       | 22.42      | 3.30        | 1.06/0.40 |
| 16         | 30.96       | 24.61       | 25.60      | 3.30        | 1.06/0.40 |
| 18         | 33.32       | 27.00       | 28.77      | 3.30        | 1.06/0.40 |
| 20         | 36.52       | 29.36       | 31.95      | 3.30        | 1.06/0.40 |
| 22         | 39.70       | 31.75       | 35.13      | 3.30        | 1.06/0.40 |
| 24         | 42.87       | 34.92       | 38.30      | 3.96        | 1.06/0.40 |

**PG Adapter**



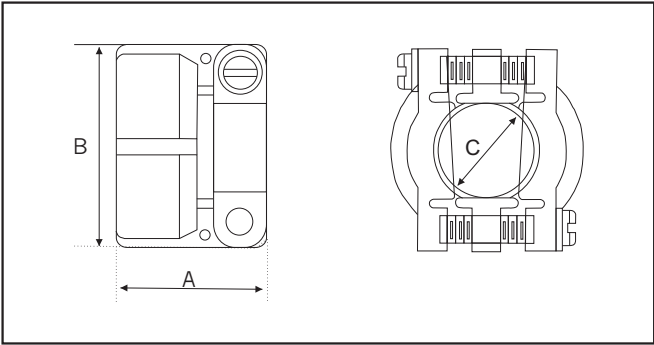
| Part No.      | For Shell Size | X Thread in inches | A     | B     | L     | PG Thread |
|---------------|----------------|--------------------|-------|-------|-------|-----------|
| 62IN08-PG7    | 8              | 13.23              | 16.50 | 14.50 | 20.00 | PG7       |
| 62IN10-PG9    | 10             | 13.23              | 22.00 | 17.70 | 20.00 | PG9       |
| 62IN12-PG9    | 12             | 13.23              | 22.00 | 21.00 | 20.00 | PG9       |
| 62IN14-PG13.5 | 14             | 13.23              | 28.00 | 23.50 | 25.00 | PG13.5    |
| 62IN16-PG9    | 16             | 13.23              | 29.00 | 27.80 | 30.00 | PG9       |
| 62IN20-PG21   | 20             | 13.23              | 35.00 | 34.00 | 40.00 | PG21      |

**SERIES MS/97/97B**

These are the accessories compatible with Threaded-coupled connectors according to MIL-C-5015. The standard finishes of these accessories are Black anodic. Other alternate finishes are also available on request.

|           |                            |
|-----------|----------------------------|
| MS-3057   | Cable Clamp                |
| MS-3420   | Telescopic Bush - Neoprene |
| MS-25042  | Cap for Plug               |
| MS-25043  | Cap for Receptacle         |
| 97B-25042 | Cap for Plug               |
| 97B-25043 | Cap for Receptacle         |
| MS-PG     | Pg Adapter                 |
| MS-52000  | Flange Gasket              |
| MS-3105   | Dummy Receptacle           |
| MS        | Strain Relief Backshell    |
| MS        | Right Angle Backshell      |

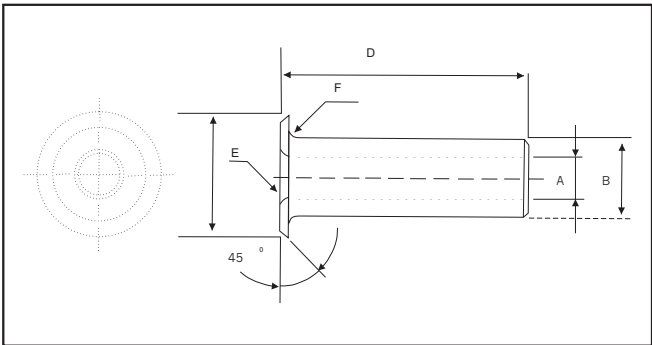
**Cable clamp**  
**MS-3057**  
 Use MS-3420 sleeves



All Dimensions are in mm

| Part number | Shell Size | Max OD of cable | A     | B     | C     | Thread in inches |
|-------------|------------|-----------------|-------|-------|-------|------------------|
| MS-3057-4A  | 10SL,12S   | 7.94            | 20.90 | 21.39 | 7.94  | 5/8-24           |
| MS-3057-6A  | 14,14S     | 11.11           | 21.27 | 25.27 | 11.11 | 3/4-20           |
| MS-3057-8A  | 16,16S     | 14.29           | 23.37 | 28.45 | 14.29 | 7/8-20           |
| MS-3057-10A | 18         | 15.87           | 23.37 | 30.89 | 15.87 | 1-20             |
| MS-3057-12A | 20,22      | 19.05           | 23.54 | 35.64 | 19.05 | 1 3/16-18        |
| MS-3057-16A | 24,28      | 23.81           | 25.78 | 42.75 | 23.81 | 1 7/16-18        |
| MS-3057-20A | 32         | 31.70           | 28.00 | 51.00 | 31.70 | 1 3/4-18         |
| MS-3057-24A | 36         | 34.92           | 29.36 | 57.02 | 34.92 | 2-18             |

**Neoprene sleeve**  
**MS-3420**  
 Rubber bushing Protects wire bundles and unjacketed cable from possible damage by cable clamp.



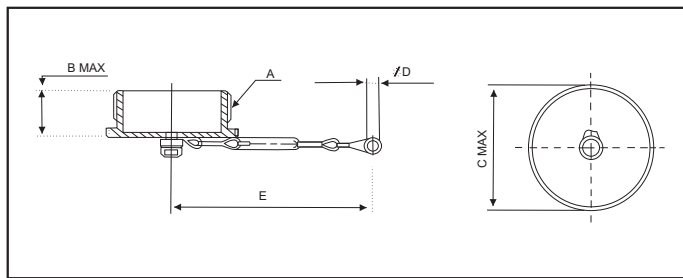
All Dimensions are in mm

| Part number | A     | B     | c     | D     | E Rad in inches | F Rad in inches |
|-------------|-------|-------|-------|-------|-----------------|-----------------|
| MS-3420-3   | 3.30  | 5.33  | 9.50  | 73.02 | 1/32            | 1/32            |
| MS-3420-4   | 5.59  | 7.67  | 12.70 | 69.85 | 1/32            | 1/32            |
| MS-3420-6   | 7.92  | 10.84 | 15.59 | 66.67 | 1/32            | 1/16            |
| MS-3420-8   | 11.10 | 14.02 | 18.77 | 63.50 | 1/16            | 1/16            |
| MS-3420-10  | 14.27 | 15.62 | 21.94 | 60.32 | 1/16            | 1/16            |
| MS-3420-12  | 15.87 | 18.80 | 26.90 | 57.15 | 1/16            | 1/16            |
| MS-3420-16  | 19.05 | 23.54 | 26.36 | 53.97 | 1/16            | 1/16            |
| MS-3420-20  | 23.80 | 31.50 | 40.41 | 50.80 | 1/16            | 1/16            |
| MS-3420-24  | 31.75 | 34.67 | 46.79 | 47.62 | 1/16            | 1/16            |

**Protective cap for MS and 97 series MS-25042**

**For Plugs**

Has external threads and used on all plugs where a coupling ring is provided



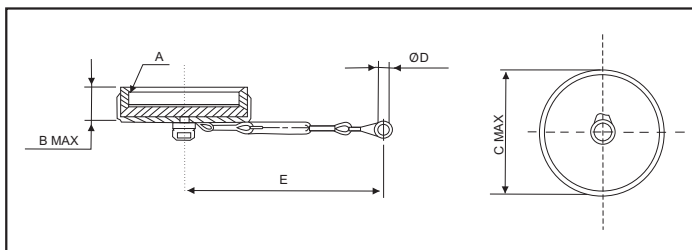
All Dimensions are in mm

| MS Part number | For connector size | A Thread in inches | B     | C    | D   | E        |
|----------------|--------------------|--------------------|-------|------|-----|----------|
| MS 25042-10-1  | MS 10S-1-SL        | 5/8-24             | 16.67 | 17.4 | 4   | 102      |
| MS 25042-12-1  | MS 12-12S          | 3/4-20             | 21.4  | 20.6 | 4   | 115      |
| MS 25042-14-1  | MS 14-14S          | 7/8-20             | 21.4  | 23.7 | 4   | 115      |
| MS 25042-16-1  | MS 16-16S          | 1-20               | 21.4  | 26.9 | 4   | 115      |
| MS 25042-18-1  | MS 18              | 1 1/8-18           | 21.4  | 30   | 4   | 115      |
| MS 25042-20-1  | MS 20              | 1 1/4-18           | 21.4  | 33   | 4.8 | 127      |
| MS 25042-22-1  | MS 22              | 1 3/8-18           | 21.4  | 36.4 | 4.8 | 127      |
| MS 25042-24-1  | MS 24              | 1 1/2-18           | 21.4  | 39.6 | 4.8 | 140      |
| MS 25042-28-1  | MS 28              | 1 3/4-18           | 21.4  | 46   | 4.8 | 197      |
| MS 25042-32-1  | MS 32              | 2 1/4-18           | 21.4  | 52   | 5.6 | 197      |
| MS 25042-36-1  | MS 36              | 2 1/4-186          | 21.4  | 58.7 | 5.6 | 197      |
| MS 25042-40-1  | MS 40              | 2 1/2-16           | 21.4  | 65   | 5.6 | -SLS-197 |

**Protective cap for MS & 97 series MS-25043**

**For receptacles**

Has internal threads & is used on all receptacles. Gasket is provided in the dust cap forming a watertight seal.



All Dimensions are in mm

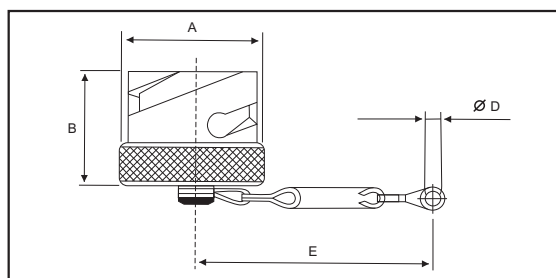
| MS Part number | For connector size | A Thread in inches | B     | C    | D   | E   |
|----------------|--------------------|--------------------|-------|------|-----|-----|
| MS 25043-10-1  | MS 10S-1-SL        | 5/8-24             | 11-11 | 20.7 | 3.6 | 102 |
| MS 25043-12-1  | MS 12-12S          | 3/4-20             | 11-11 | 25.4 | 3.6 | 115 |
| MS 25043-14-1  | MS 14-14S          | 7/8-20             | 11-11 | 28.6 | 3.6 | 115 |
| MS 25043-16-1  | MS 16-16S          | 1-20               | 11-11 | 30.2 | 3.6 | 115 |
| MS 25043-18-1  | MS 18              | 1 1/8-18           | 11-11 | 34.1 | 3.6 | 115 |
| MS 25043-20-1  | MS 20              | 1 1/4-18           | 11-11 | 37.3 | 4.4 | 127 |
| MS 25043-22-1  | MS 22              | 1 3/8-18           | 11-11 | 40.4 | 4.4 | 127 |
| MS 25043-24-1  | MS 24              | 1 1/2-18           | 11-11 | 43.6 | 4.4 | 140 |
| MS 25043-28-1  | MS 28              | 1 3/4-18           | 12-7  | 50   | 4.4 | 197 |
| MS 25043-32-1  | MS 32              | 2 -18              | 12-7  | 56.3 | 4.8 | 197 |
| MS 25043-36-1  | MS 36              | 2 1/4-18           | 12-7  | 62.7 | 4.8 | 197 |
| MS 25043-40-1  | MS 40              | 2 1/2-16           | 12-7  | 69   | 4.8 | 197 |

- Notes :
1. For protective caps without chain or with nylon cord, contact factory
  2. Standard - black anodised finish. For alternatives, contact factory.
  3. Standard - straight For diamond knurling on caps, contact factory.

## Protective cap for 97B series 97B-25042

### For Plugs

Has external grooves and is used on all plugs



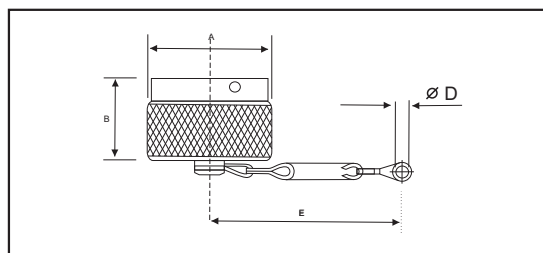
All Dimensions are in mm

| Part number    | For connector size | A Max | B     | D    | E   |
|----------------|--------------------|-------|-------|------|-----|
| 97B 25042-10SL | 10SL               | 23.00 | 24.00 | 4.20 | 102 |
| 97B 25042-14S  | 14S                | 30.00 | 24.00 | 4.20 | 115 |
| 97B 25042-16S  | 16S                | 32.50 | 24.00 | 4.20 | 115 |
| 97B 25042-16   | 16                 | 32.50 | 33.00 | 4.70 | 115 |
| 97B 25042-18   | 18                 | 36.40 | 39.00 | 4.70 | 115 |
| 97B 25042-20   | 20                 | 40.50 | 33.00 | 4.70 | 127 |
| 97B 25042-22   | 22                 | 43.50 | 33.00 | 4.70 | 127 |
| 97B 25042-24   | 24                 | 46.50 | 44.00 | 4.70 | 140 |
| 97B 25042-28   | 28                 | 54.00 | 33.00 | 5.60 | 197 |
| 97B 25042-32   | 32                 | 60.00 | 46.00 | 5.60 | 197 |
| 97B 25042-36   | 36                 | 66.20 | 46.00 | 5.60 | 197 |
| 97B 25042-40   | 40                 | 73.00 | 33.00 | 5.60 | 197 |

## Protective cap for 97B series 97B-25043

### For receptacles

Has internal bayonet pins and is used on all receptacles.

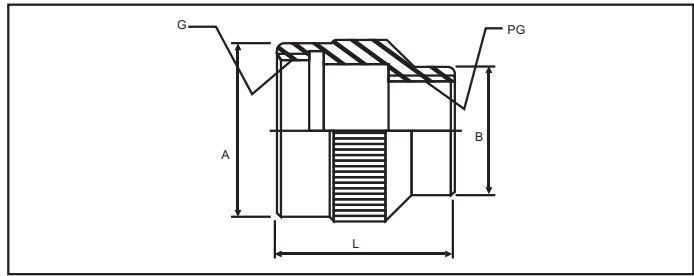


All Dimensions are in mm

| Part number    | For connector size | A Max | B     | D    | E   |
|----------------|--------------------|-------|-------|------|-----|
| 97B 25043-10SL | 10SL               | 23.00 | 15.50 | 4.20 | 102 |
| 97B 25043-14S  | 14S                | 30.00 | 15.50 | 4.20 | 115 |
| 97B 25043-16S  | 16S                | 32.50 | 15.50 | 4.20 | 115 |
| 97B 25043-16   | 16                 | 32.50 | 21.20 | 4.20 | 115 |
| 97B 25043-18   | 18                 | 37.00 | 21.20 | 4.20 | 115 |
| 97B 25043-20   | 20                 | 40.50 | 21.20 | 4.70 | 127 |
| 97B 25043-22   | 22                 | 43.50 | 21.20 | 4.70 | 127 |
| 97B 25043-24   | 24                 | 47.50 | 21.20 | 4.70 | 140 |
| 97B 25043-28   | 28                 | 54.00 | 21.20 | 5.60 | 197 |
| 97B 25043-32   | 32                 | 60.50 | 21.20 | 5.60 | 197 |
| 97B 25043-36   | 36                 | 67.00 | 21.20 | 5.60 | 197 |
| 97B 25043-40   | 40                 | 73.00 | 21.20 | 5.60 | 197 |

- Notes :
1. For protective caps without chain or with nylon cord, contact factory
  2. Standard - black anodised finish. For alternatives, contact factory.
  3. Standard - straight For diamond knurling on caps, contact factory.

### PG Adapter

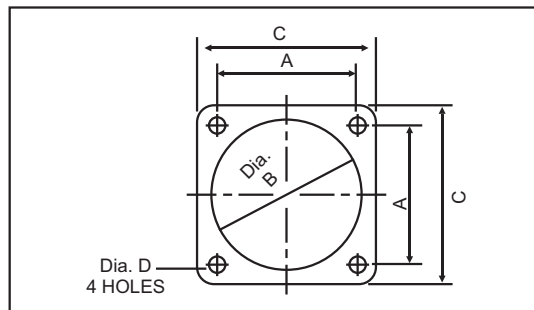


All Dimensions are in mm

| Shell Size | G Thread in inches | PG 9 |    |    | PG 11 |    |    | PG13 |    |    | PG16 |    |    | PG21 |    |    | PG29 |    |    | PG36 |    |    |  |
|------------|--------------------|------|----|----|-------|----|----|------|----|----|------|----|----|------|----|----|------|----|----|------|----|----|--|
|            |                    | A    | B  | L  | A     | B  | L  | A    | B  | L  | A    | B  | L  | A    | B  | L  | A    | B  | L  | A    | B  | L  |  |
| 10SL       | 5/8-24             |      |    |    |       |    |    |      |    |    |      |    |    |      |    |    |      |    |    |      |    |    |  |
| 12S        | 11/16-24           |      |    |    |       |    |    |      |    |    |      |    |    |      |    |    |      |    |    |      |    |    |  |
| 14         | 3/4-20             |      |    |    | 23    | 23 | 30 | 23   | 23 | 30 |      |    |    |      |    |    |      |    |    |      |    |    |  |
| 16         | 7/8-20             |      |    |    | 25    | 25 | 30 |      |    |    | 25   | 25 | 30 |      |    |    |      |    |    |      |    |    |  |
| 18         | 1-20               | 30   | 21 | 26 | 30    | 26 | 37 |      |    |    | 30   | 28 | 37 |      |    |    |      |    |    |      |    |    |  |
| 20         | 1 1/8-18           |      |    |    | 35    | 26 | 40 |      |    |    | 35   | 28 | 40 | 35   | 35 | 40 |      |    |    |      |    |    |  |
| 22         | 1 1/4-18           |      |    |    |       |    |    |      |    |    | 35   | 28 | 40 | 35   | 35 | 40 |      |    |    |      |    |    |  |
| 24         | 1 3/8-18           |      |    |    |       |    |    |      |    |    |      |    |    | 38   | 35 | 40 | 40   | 40 | 40 |      |    |    |  |
| 28         | 1 5/8-18           |      |    |    |       |    |    |      |    |    |      |    |    | 45   | 37 | 45 | 45   | 45 | 45 |      |    |    |  |
| 36         | 2 1/8-18           |      |    |    |       |    |    |      |    |    |      |    |    |      |    |    | 57   | 44 | 55 | 57   | 57 | 55 |  |

Notes : For ordering information on flat gaskets and PG adaptors,contact factory.

### Flange Gasket MS-52000

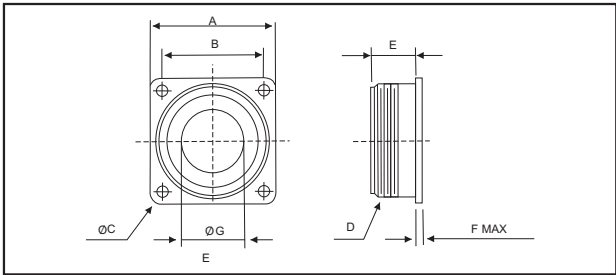


All Dimensions are in mm

| Part number | For connector Size | A Max | B     | D     | E    |
|-------------|--------------------|-------|-------|-------|------|
| MS-101000   | 10SL               | 18.26 | 15.90 | 25.40 | 4.35 |
| MS-108686   | 12S & 12           | 20.62 | 19.05 | 27.80 | 4.35 |
| MS-101001   | 14S & 14           | 23.01 | 22.20 | 30.15 | 4.35 |
| MS-101002   | 16S & 16           | 24.61 | 25.40 | 32.50 | 4.35 |
| MS-101003   | 18                 | 27.00 | 28.57 | 34.90 | 5.15 |
| MS-101004   | 20                 | 29.36 | 31.75 | 38.10 | 5.15 |
| MS-101005   | 22                 | 31.75 | 34.90 | 41.20 | 5.15 |
| MS-108687   | 24                 | 34.90 | 38.10 | 44.45 | 5.15 |
| MS-101006   | 28                 | 39.70 | 44.45 | 50.80 | 5.15 |
| MS-108688   | 32                 | 44.45 | 50.80 | 57.15 | 5.55 |
| MS-101007   | 36                 | 49.22 | 55.57 | 63.50 | 5.55 |

Notes : The dash number also indicates shell size.

Dummy receptacle  
MS-3105

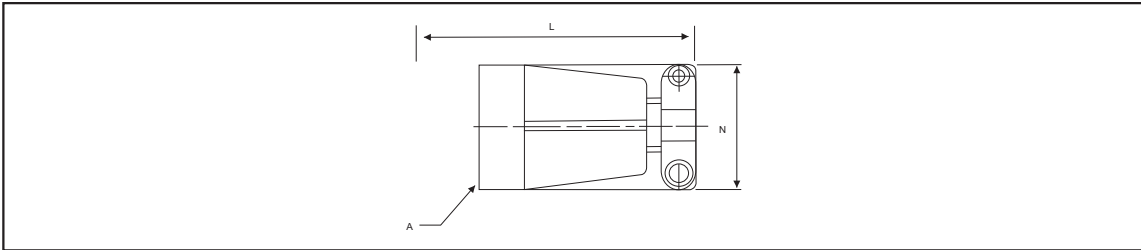


All Dimensions are in mm

| Part number<br>(see note) | A      | B     | C    | D<br>Thread in inches | E     | F    | G     |
|---------------------------|--------|-------|------|-----------------------|-------|------|-------|
| MS-3105-10S               | 25.4   | 18.26 | 3.05 | 5/8-24                | 14-27 | 3.96 | 8.20  |
| MS-3105-12S               | 27.79  | 20.62 | 3.05 | 3/4-20                | 14-27 | 3.96 | 11.43 |
| MS-3105-12                | 27.789 | 20.62 | 3.05 | 3/4-20                | 19-05 | 3.96 | 11.43 |
| MS-3105-14S               | 30.17  | 23.01 | 3.05 | 7/8-20                | 14-27 | 3.96 | 13.36 |
| MS-3105-14                | 30.17  | 23.01 | 3.05 | 7/8-20                | 19.05 | 3.96 | 13.36 |
| MS-3105-16S               | 32.54  | 24.61 | 3.05 | 1-20                  | 14.27 | 3.96 | 16.41 |
| MS-3105-16                | 32.54  | 24.61 | 3.05 | 1-20                  | 19.05 | 3.96 | 16.41 |
| MS-3105-18                | 34.92  | 26.97 | 3.05 | 1 1/8-18              | 19.05 | 5.16 | 18.03 |
| MS-3105-20                | 38.10  | 29.36 | 3.05 | 1 1/4-18              | 19.05 | 5.16 | 23.54 |
| MS-3105-22                | 41.27  | 31.75 | 3.05 | 1 3/8-18              | 19.05 | 5.16 | 25.93 |
| MS-3105-24                | 44.45  | 34.92 | 3.73 | 1 1/2-18              | 20.62 | 5.16 | 29.21 |
| MS-3105-28                | 50.8   | 39.67 | 3.73 | 1 3/4-18              | 20.62 | 5.16 | 34.67 |
| MS-3105-36                | 63.5   | 49.22 | 4.39 | 2 1/4-16              | 22.22 | 9.11 | 46.56 |

Notes : The dash number also indicates shell size.

Strain Relief Backshell Class E and F

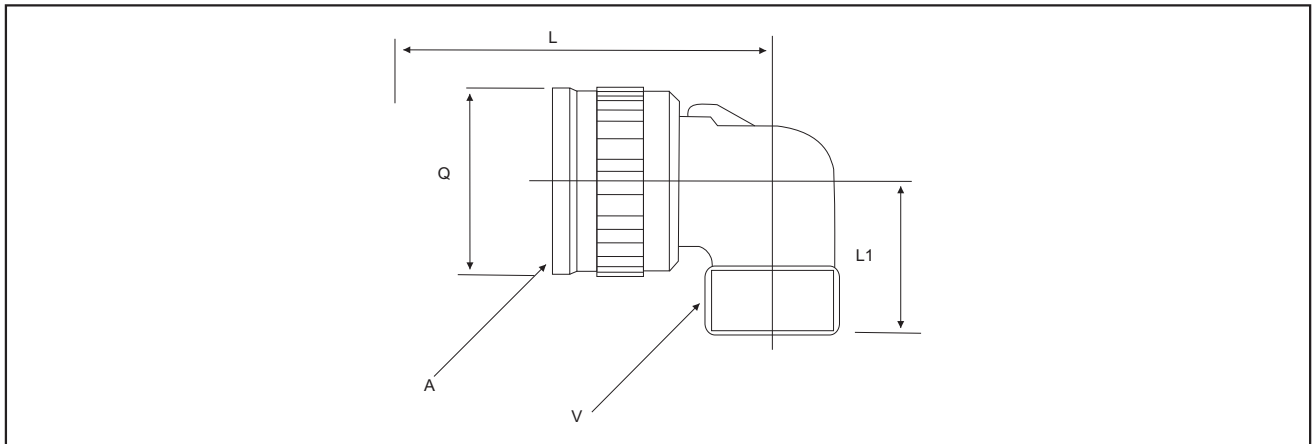


All Dimensions are in mm

| Part number | A    | A Thread Class 2B in inches | L max for MS/97 | L max for 97B | N max |
|-------------|------|-----------------------------|-----------------|---------------|-------|
| MS-108155   | 10SL | 5/8-24 NEF                  | 54.07           | 59.10         | 21.97 |
| MS-108156   | 12S  | 11/16-24NEF                 | 54.07           | ---           | 21.97 |
| MS-108157   | 14S  | 3/4-20 UNEF                 | 55.90           | 61.34         | 25.15 |
| MS-108158   | 16S  | 7/8-20 UNEF                 | 55.90           | 62.86         | 28.45 |
| MS-108158   | 16   | 7/8-20UNEF                  | 64.41           |               | 28.45 |
| MS-108159   | 18   | 1-20 UNEF                   | 65.94           | 71.10         | 30.76 |
| MS-108160   | 20   | 1 1/8-24 NS                 | 67.41           | 72.55         | 37.29 |
| MS-108161   | 22   | 1 1/4-18 NEF                | 67.41           | 72.55         | 37.29 |
| MS-108162   | 24   | 1 3/8-18NEF                 | 73.28           | 76.82         | 44.45 |
| MS-108163   | 28   | 1 5/8-18 NEF                | 73.28           | 77.82         | 44.45 |
| MS-108164   | 32   | 1 29/32-18 NS               | 74.75           |               | 52.22 |
| MS-108165   | 36   | 2 1/16-20 UNS               | 74.75           | 77.64         | 57.15 |

Standard finish is cadmium Olive drab

## Right Angle Backshell



All Dimensions are in mm

| Part number | Connector Size | A Thread Class 2B in inches | L max for MS/97 | L max for 97B | L 1 max | L 1 max | V Thread in inches |
|-------------|----------------|-----------------------------|-----------------|---------------|---------|---------|--------------------|
| MS-108917   | 10SL           | 5/8-24 NEF                  | 37.60           | 45.00         | 25.00   | 22.22   | 5/8-24 UNEF        |
| MS-108918   | 12S            | 11/16-24 NEF                | 37.80           | ---           | 25.00   | 25.40   | 5/8-24 UNEF        |
| MS-108918   | 12             | 11/16-24 NEF                | 47.30           | ---           | 25.00   | 25.40   | 5/8-24 UNEF        |
| MS-108919   | 14S            | 3/4-20NEF                   | 39.40           | 47.00         | 27.00   | 28.57   | 3/4-20UNEF         |
| MS-108919   | 14             | 3/4-20 UNEF                 | 48.90           | ---           | 27.00   | 28.57   | 3/4-20 UNEF        |
| MS-108920   | 16S            | 7/8-20 UNEF                 | 42.60           | 48.00         | 28.00   | 31.75   | 7/8-20 UNEF        |
| MS-108920   | 16             | 7/8-20UNEF                  | 52.10           | 57.00         | 28.00   | 31.75   | 7/8-20UNEF         |
| MS-108921   | 18             | 1-20 UNEF                   | 53.70           | 58.00         | 31.00   | 34.13   | 1-20 UNEF          |
| MS-108922   | 20             | 1 1/8-24 NS                 | 58.80           | 61.00         | 34.00   | 37.30   | 1 3/16-18 NS       |
| MS-108923   | 22             | 1 1/4-18 NEF                | 58.80           | 61.00         | 34.00   | 40.48   | 1 3/16-18 UNEF     |
| MS-108924   | 24             | 1 3/8-18NEF                 | 63.60           | 66.00         | 37.00   | 43.66   | 1 7/16-18 UNEF     |
| MS-108925   | 28             | 1 5/8-18 NEF                | 63.60           | 66.00         | 39.00   | 50.00   | 1 7/16-18 UNEF     |
| MS-108926   | 32             | 1 29/32-18 NS               | 69.60           | 72.00         | 45.00   | 56.50   | 1 3/4-18 UNS       |
| MS-108927   | 36             | 2 1/16-20 UNS               | 72.80           | 75.00         | 48.00   | 62.71   | 2-18 UNS           |

Standard finish is cadmium Olive drab

Note : Both versions, straight and diamond knurling available on back accessories. For details, contact factory.



## **SERIES MS347 & MS CRIMP**

These are the accessories compatible with connectors according to MIL-C-26482 Series 2 & MIL-C-5015 Crimp type. The standard finishes of these accessories are Cadmium with olive drab chromate. Other alternate finishes are also available on request.

M85049/26-1 Straight Shield Termination

M85049/26-2 Shielding Ring

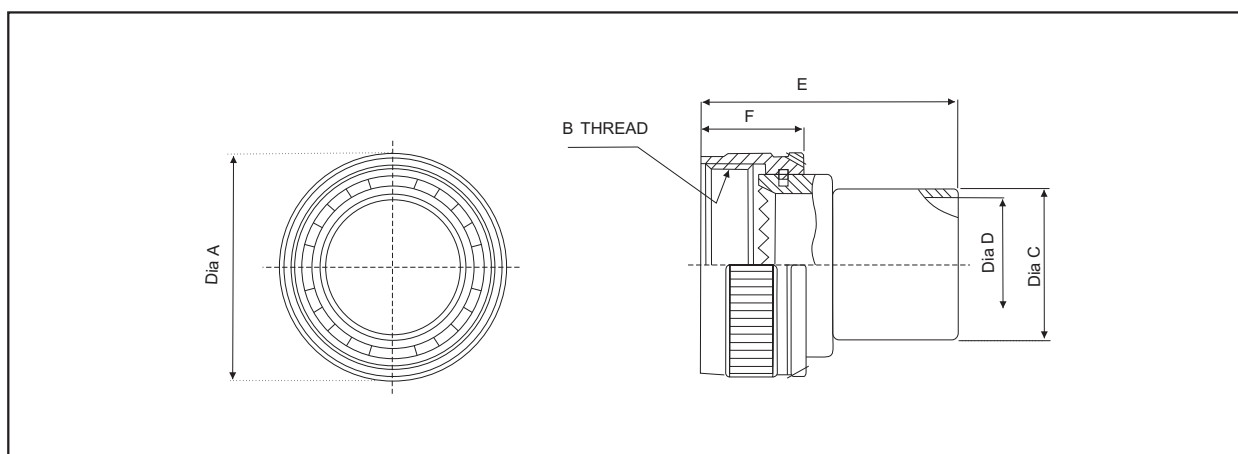
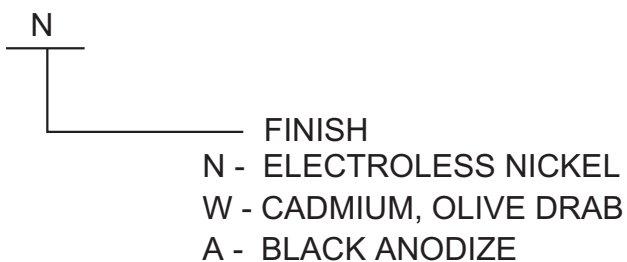
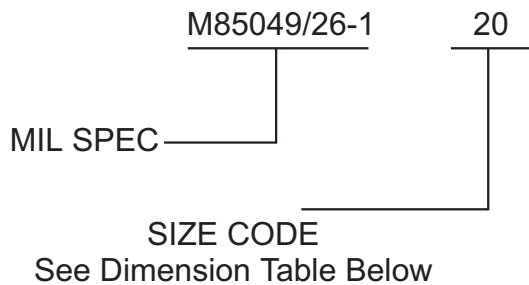
M85049/31 Straight Back Shell

M85049/34 Straight Adapter

M85049/52-1 Straight SR Clamp

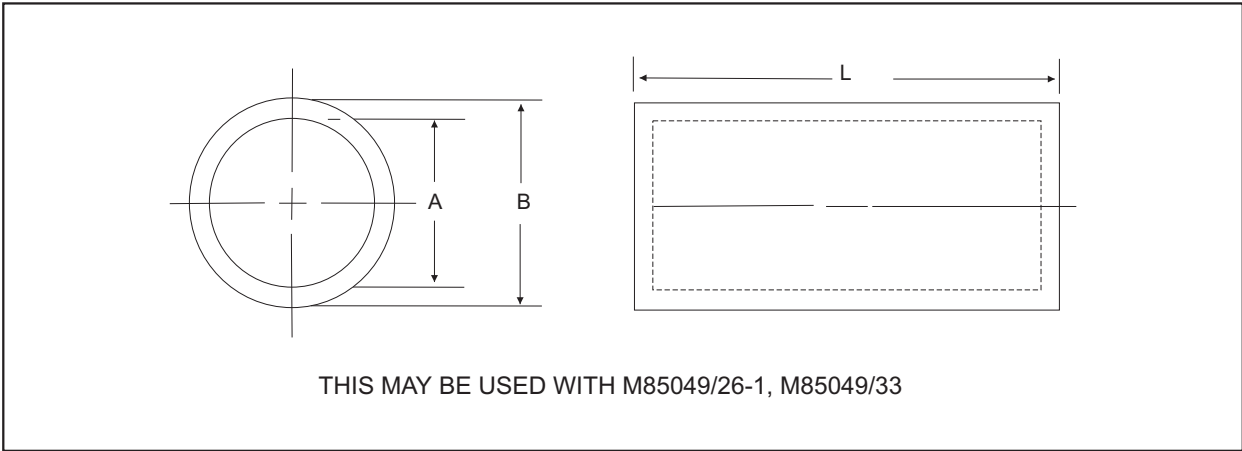
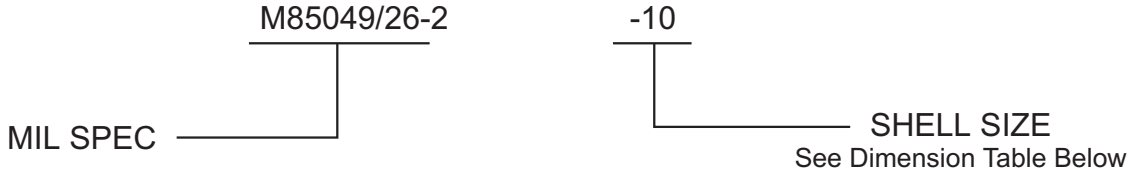
M85049/60-1 Shrink Boot Adapter

# Straight Shield Termination M85049/26-1



| Size Code | MIL-C-26482 Series 2 | MIL-C-5015 Crimp | A dia | B Thread Class 28 | C dia | D dia | E     | F     |
|-----------|----------------------|------------------|-------|-------------------|-------|-------|-------|-------|
| 8         | 8                    | 85               | 15.68 | 1/2-20UNE         | 8.56  | 6.35  | 32.44 | 13.72 |
| 10        | 10                   | 10S,10SL         | 18.65 | 5/8-24UNEF        | 12.40 | 8.26  | 32.44 | 13.72 |
| 12        | 12                   | 12S & 12         | 21.80 | 3/4-20UNEF        | 12.70 | 10.67 | 32.44 | 13.72 |
| 14        | 14                   | 14S & 14         | 25.00 | 7/8-20UNEF        | 15.75 | 13.72 | 32.44 | 13.72 |
| 16        | 16                   | 16S & 16         | 28.25 | 1-20UNEF          | 19.05 | 17.02 | 32.44 | 13.72 |
| 18        | 18                   | 18               | 30.94 | 1-1/16-18UNEF     | 22.36 | 20.05 | 32.44 | 13.72 |
| 20        | 20                   | 20               | 34.17 | 1-3/16-18UNEF     | 25.44 | 23.22 | 32.44 | 13.72 |
| 22        | 22                   | 22               | 37.29 | 1-5/16-18UNEF     | 28.45 | 26.40 | 32.44 | 13.72 |
| 24        | 24                   | 24               | 40.47 | 1-7/16-18UNEF     | 30.28 | 28.25 | 32.44 | 13.72 |
| 28        |                      | 28               | 50.10 | 1-3/4-18UNS       | 39.25 | 35.29 | 36.66 | 17.84 |
| 32        |                      | 32               | 56.37 | 2-18UNS           | 45.60 | 41.53 | 36.66 | 17.84 |
| 36        |                      | 36               | 62.72 | 2.1/46UN          | 51.95 | 47.00 | 36.66 | 17.84 |

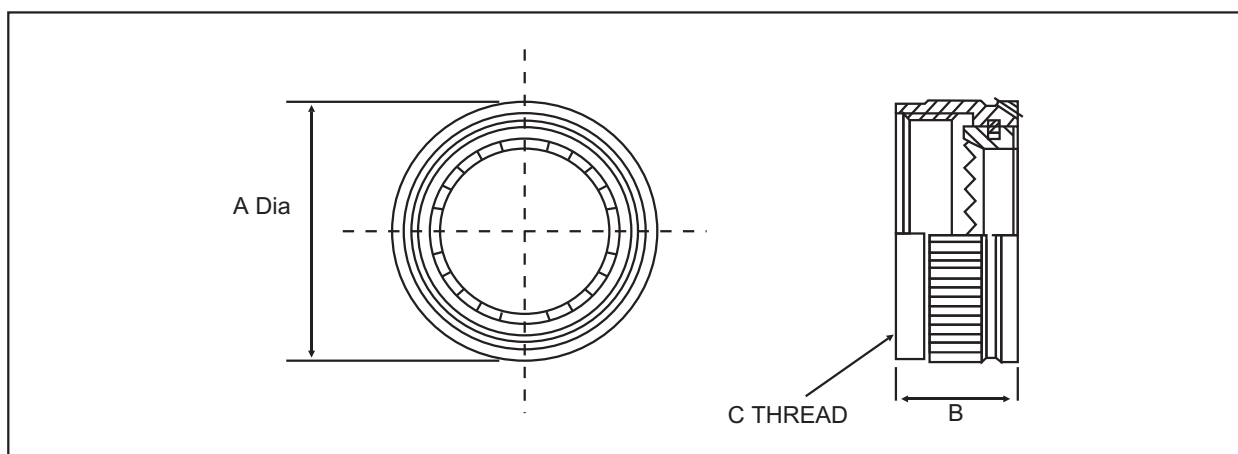
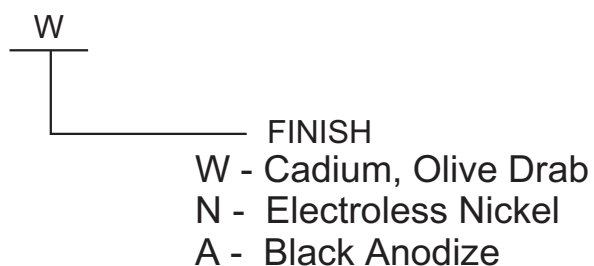
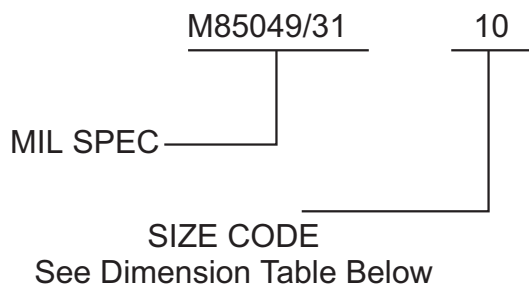
Shielding Ring  
M85049/26-2



| Size Code | Colour Code | A dia |       | B dia |       | L<br>-0.20 |
|-----------|-------------|-------|-------|-------|-------|------------|
|           |             | min   | Max   | Min   | Max   |            |
| 8         | GREEN       | 10.16 | 10.42 | 12.40 | 11.64 | 6.35       |
| 10        | RED         | 14.86 | 15.12 | 16.77 | 17.28 |            |
| 12        |             |       |       |       |       |            |
| 14        | BLUE        | 17.91 | 18.17 | 19.82 | 20.32 |            |
| 16        | GRAY        | 21.21 | 21.47 | 23.12 | 23.63 |            |
| 18        | BROWN       | 25.53 | 25.79 | 27.44 | 27.94 |            |
| 20        | GREEN       | 28.58 | 28.83 | 30.48 | 30.99 |            |
| 22        | PINK        | 31.63 | 31.88 | 33.53 | 34.04 |            |
| 24        |             |       |       |       |       |            |
| 28        | RED         | 42.30 | 42.55 | 44.20 | 44.71 |            |
| 32        | GRAY        | 48.65 | 48.90 | 50.55 | 51.05 |            |
| 36        | GREEN       | 55.00 | 55.25 | 56.90 | 57.41 |            |

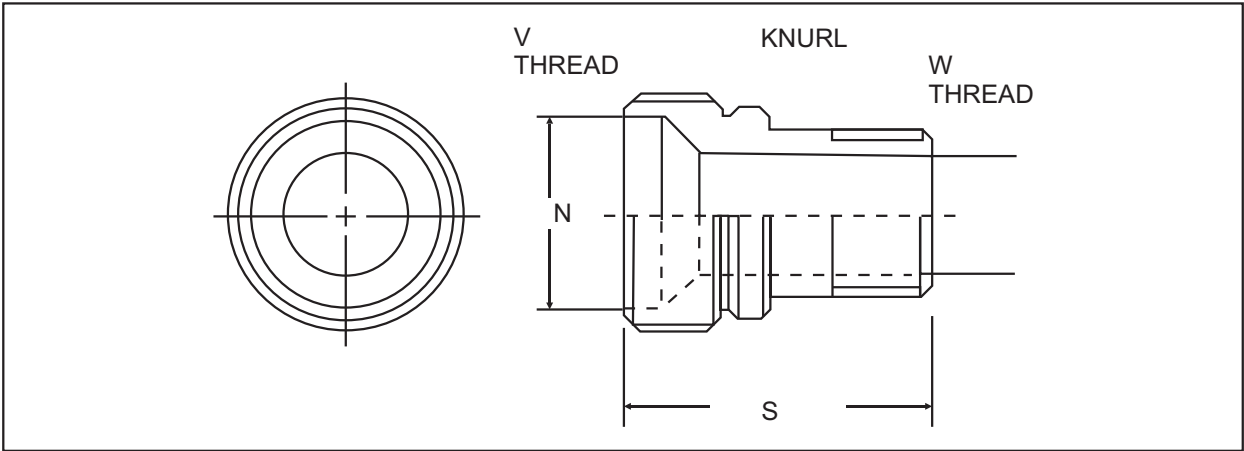
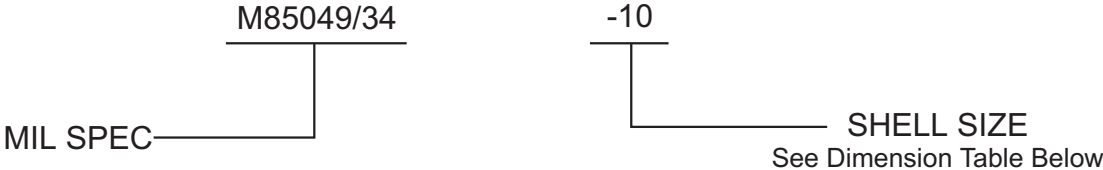
STANDARD MATERIAL IS COPPER AND FINISH TIN PLATING CONSULT FACTORY FOR ANY VARIATIONS

# Straight Back Shell M85049/31



| Size Code | Connector Shell Size |                     | A     | B     | C Thread Class 2B |
|-----------|----------------------|---------------------|-------|-------|-------------------|
|           | MIL-C-26482 Series 2 | MIL-C-5015 Series 2 |       |       |                   |
| 8         | 8                    | 8S                  | 15.67 | 13.72 | 1/2-20 UNF        |
| 10        | 10                   | 10S, 10SL           | 18.64 | 13.72 | 5/8-24 UNEF       |
| 12        | 12                   | 12S & 12            | 21.79 | 13.72 | 3/4-20 UNEF       |
| 14        | 14                   | 14S & 14            | 24.99 | 13.72 | 7/8-20 UNEF       |
| 16        | 16                   | 16S & 16            | 28.24 | 13.72 | 1-20 UNEF         |
| 18        | 18                   | 18                  | 30.94 | 13.72 | 1-1/16-18 UNEF    |
| 20        | 20                   | 20                  | 34.16 | 13.72 | 1-3/16-18 UNEF    |
| 22        | 22                   | 22                  | 37.29 | 13.72 | 1-5/16-18 UNEF    |
| 24        | 24                   | 24                  | 40.46 | 13.72 | 1-7/16-18 UNEF    |
| 28        |                      | 28                  | 50.01 | 17.83 | 1-3/4-18 UNS      |
| 32        |                      | 32                  | 56.36 | 17.83 | 2-18 UNS          |
| 36        |                      | 36                  | 62.71 | 17.83 | 2-1/4-16 UN       |

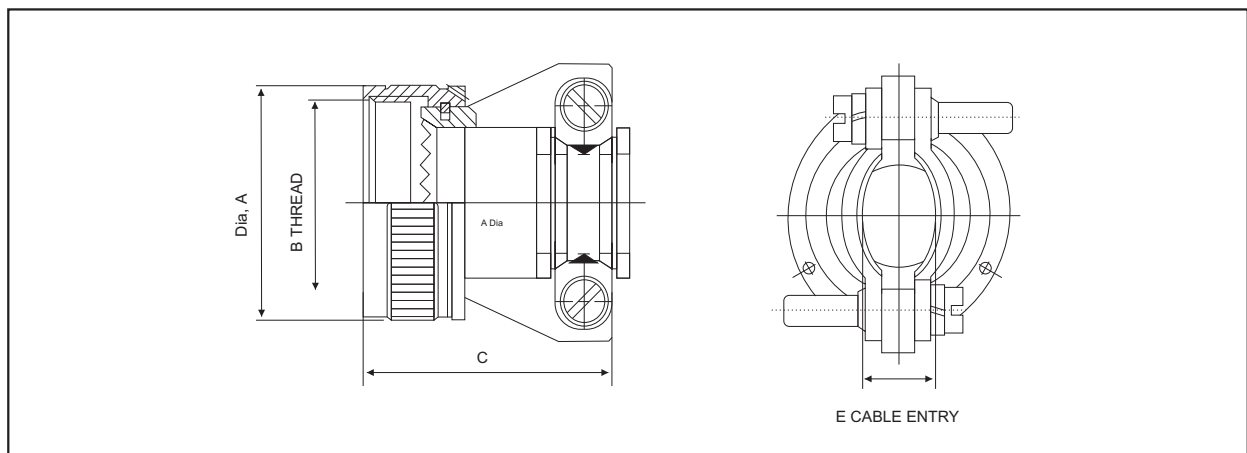
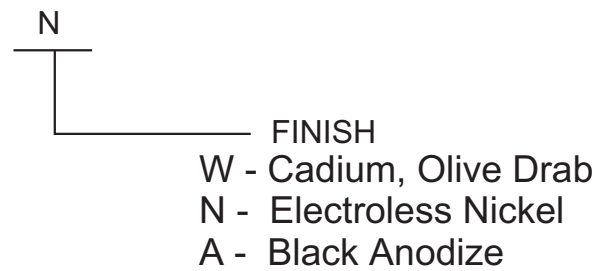
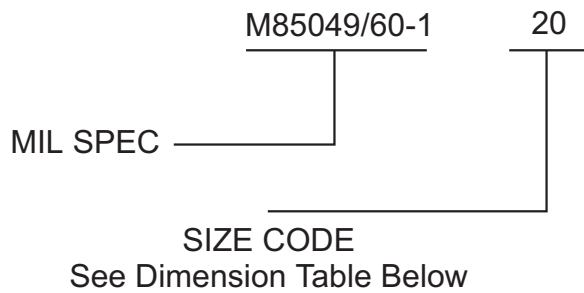
Straight Adapter  
 For MS3114, MS3124 & MS 3474 Receptacles



| Size Code | F dia<br>+ 0.13<br>-0.02 | N dia<br>+ 0.25<br>- 0.27 | S<br>max | Thread UNEF Class2 A |           |
|-----------|--------------------------|---------------------------|----------|----------------------|-----------|
|           |                          |                           |          | V                    | W         |
| 8         | 8.18                     | 12.7                      | 20.63    | 5/8-24               | 7/16-28   |
| 10        | 11.16                    | 15.47                     | 20.63    | 3/4-20               | 9/16-24   |
| 12        | 14.33                    | 18.65                     | 20.63    | 7/8-20               | 13/16-24  |
| 14        | 16.97                    | 21.82                     | 20.63    | 1-20                 | 13/16-20  |
| 16        | 20.15                    | 24.62                     | 20.63    | 1-1/8-18             | 15/16-20  |
| 18        | 23.12                    | 28.16                     | 20.63    | 1-1/4-18             | 1-1/16-18 |
| 20        | 26.04                    | 30.97                     | 23.02    | 1-3/8-18             | 1-3/16-18 |
| 22        | 29.22                    | 34.14                     | 23.02    | 1-1/2-18             | 1-5/16-18 |
| 24        | 32.39                    | 37.32                     | 23.79    | 1-5/8-18             | 1-7/16-18 |

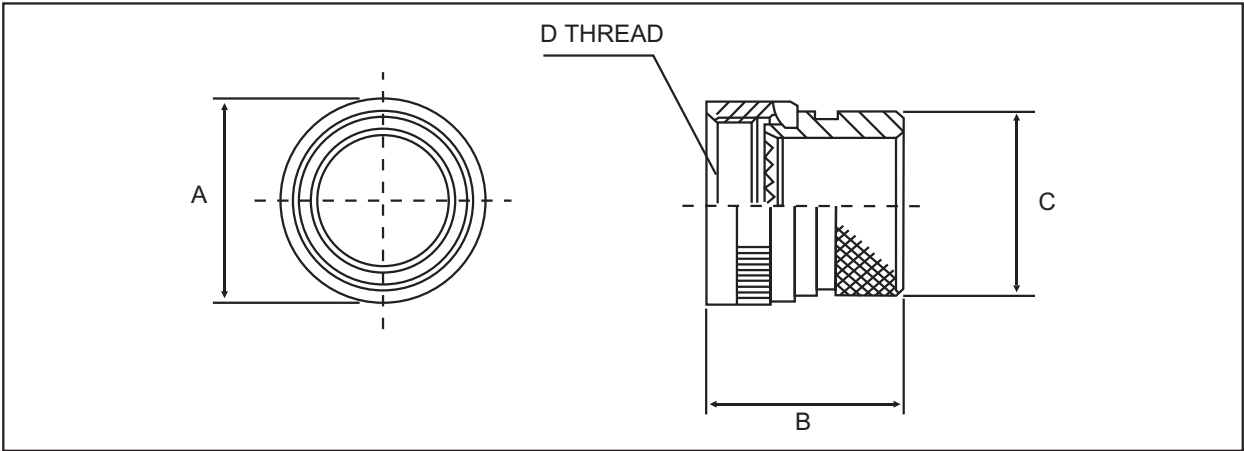
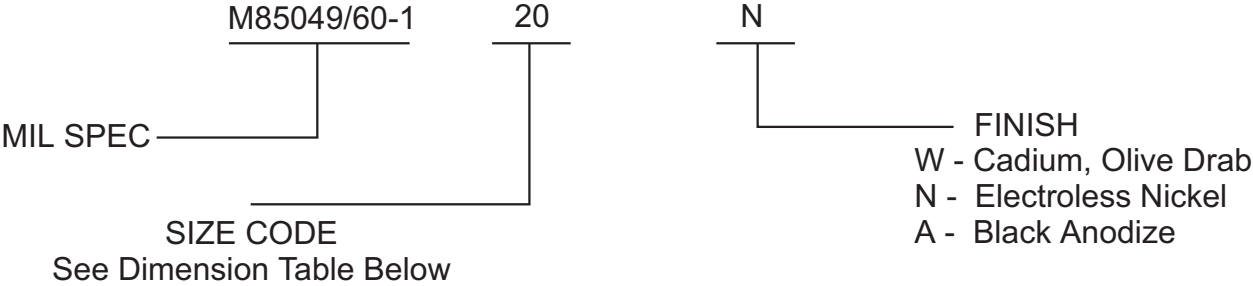
STANDARD FINISH IS CADMIUM OLIVE DRAB FOR OTHER FINISHES CONSULT FACTORY

# Straight Strain Relief M85049/52-1



| Size Code | For Connector Shell Size (REF) |                  | A max | B Thread Class 2 B | C     | E Cable Entry |       |
|-----------|--------------------------------|------------------|-------|--------------------|-------|---------------|-------|
|           | MIL-C-26482 Series             | MIL-C-5015 Crimp |       |                    |       | Max           | Min   |
| 8         | 8                              | 8 S              | 15.67 | 1/2-20 UNF         | 22.61 | 5.18          | 3.17  |
| 10        | 10                             | 10S, 10SL        | 18.64 | 5/8-24 UNEF        | 25.40 | 7.26          | 4.74  |
| 12        | 12                             | 12S & 12         | 21.79 | 3/4-20 UNEF        | 28.57 | 10.56         | 7.39  |
| 14        | 14                             | 14S & 14         | 24.99 | 7/8-20 UNEF        | 28.57 | 12.09         | 8.91  |
| 16        | 16                             | 16S & 16         | 28.24 | 1-20UNEF           | 31.75 | 15.90         | 12.72 |
| 18        | 18                             | 18               | 30.93 | 1-1/16 -18UNEF     | 38.10 | 17.93         | 13.15 |
| 20        | 20                             | 20               | 34.16 | 1-3/16 -18UNEF     | 41.27 | 21.10         | 14.75 |
| 22        | 22                             | 22               | 37.29 | 1-5/16 -18UNEF     | 44.45 | 24.28         | 16.35 |
| 24        | 24                             | 24               | 40.46 | 1-7/16 -18UNEF     | 47.62 | 27.47         | 17.93 |
| 28        |                                | 28               | 50.01 | 1-3/4 -18UNS       | 55.54 | 30.10         | 19.05 |
| 32        |                                | 32               | 56.36 | 2 -18UNS           | 60.32 | 31.75         | 22.22 |
| 36        |                                | 36               | 62.71 | 2-1/4 -16UNS       | 69.85 | 34.92         | 23.82 |

Shrink Boot Adapter  
 For MS3114, MS3124 & MS3474 Receptacles



| Size Code | Connector Shell Size                   |                  | A Dia | B     | C Dia | D Thread Class2 B |
|-----------|--|------------------|-------|-------|-------|-------------------|
|           | MIL-C-26482 Series 2 M83723 SR I & III | MIL-C-5015 Crimp |       |       |       |                   |
| -8        | 8                                      | 8 S              | 15.67 | 28.57 | 13.53 | 1/2-20UNF         |
| -10       | 10                                     | 10S, 10SL        | 18.64 | 28.57 | 15.36 | 5/8-24 UNEF       |
| -12       | 12                                     | 12S & 12         | 21.79 | 28.57 | 19.65 | 3/4-20 UNEF       |
| -14       | 14                                     | 14S & 14         | 24.99 | 28.57 | 21.28 | 7/8-20 UNEF       |
| -16       | 16                                     | 16S & 16         | 28.24 | 28.57 | 24.46 | 1-20 UNEF         |
| -18       | 18                                     | 18               | 30.93 | 28.57 | 26.46 | 1-1/16-18 UNEF    |
| -20       | 20                                     | 20               | 34.16 | 28.57 | 30.91 | 1-3/16-18 UNEF    |
| -22       | 22                                     | 22               | 34-28 | 28.57 | 34.41 | 1-5/16-18 UNEF    |
| -24       | 24                                     | 24               | 40.46 | 28.57 | 36.65 | 1-7/16-18 UNEF    |
| -28       |  | 28               | 50.01 | 32.68 | 43.40 | 1-3/4-18 UNEF     |
| -32       |  | 32               | 56.36 | 36.80 | 48.74 | 2-18 UNEF         |
| -36       |  | 36               | 62.7  | 36.80 | 55.09 | 2 1/4-16 UNEF     |

STANDARD FINISH IS CADMIUM OLIVE DRAB FOR OTHER FINISHES CONSULT FACTORY

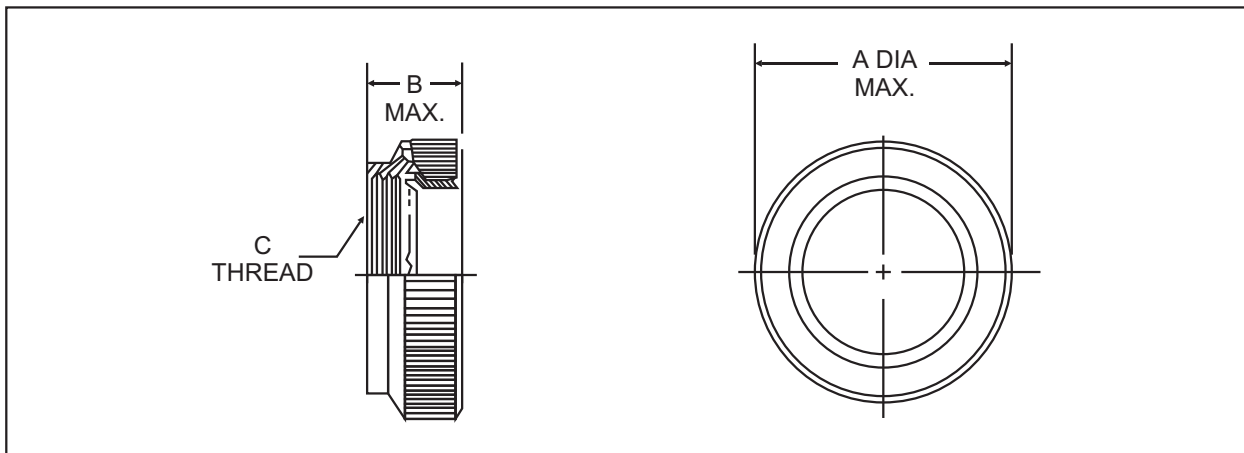
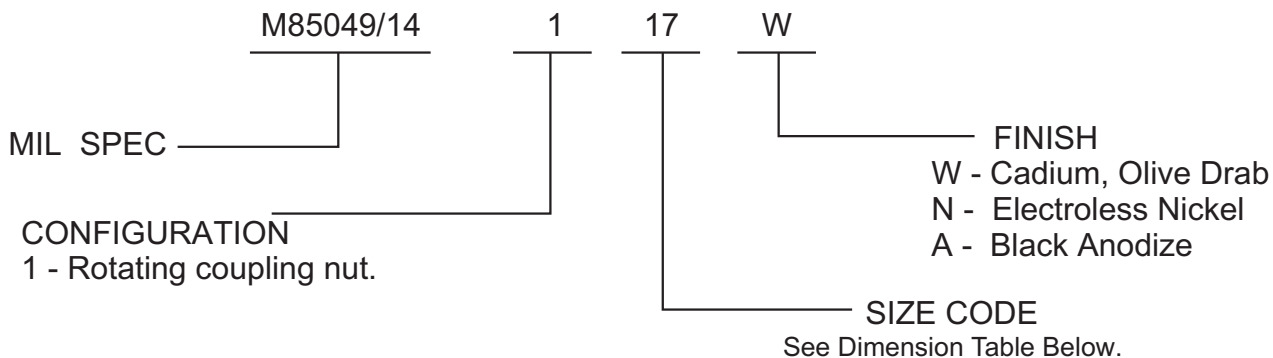
**SERIES - D38999**

These are the accessories compatible with connectors according to MIL-C-38999 Series 3. The standard finishes of these accessories are Cadmium with olive drab chromate. Other alternate finishes are also available on request.

|                    |                                    |
|--------------------|------------------------------------|
| <b>M85049/14</b>   | <b>Back Shell</b>                  |
| <b>M85049/33-2</b> | <b>Straight Shield Termination</b> |
| <b>M85049/35</b>   | <b>Straight Adapter</b>            |
| <b>M85049/38</b>   | <b>Straight Strain Relief</b>      |
| <b>M85049/58</b>   | <b>Plotting Boot Ring</b>          |
| <b>M85049/69</b>   | <b>Shrink Boot Adapter</b>         |

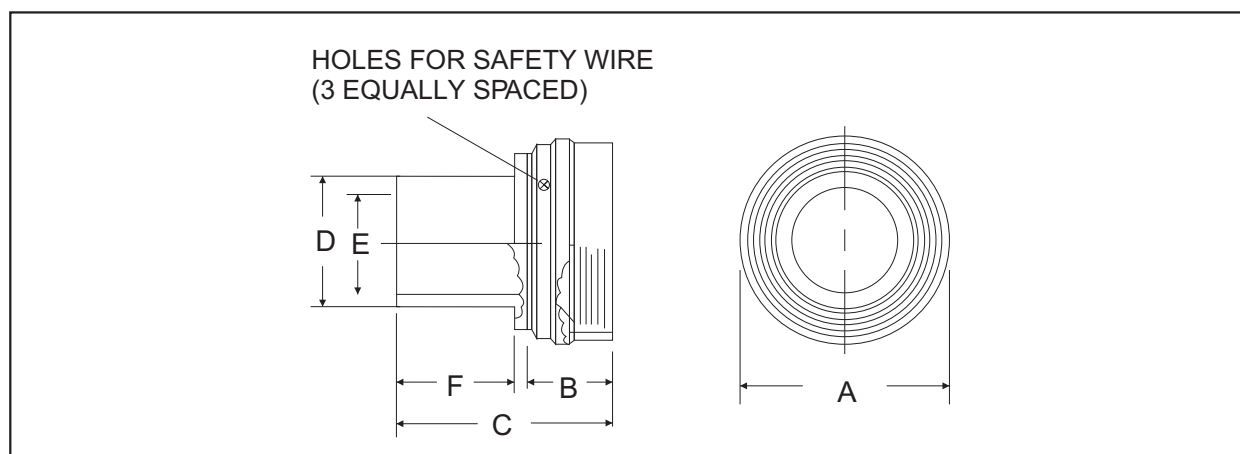
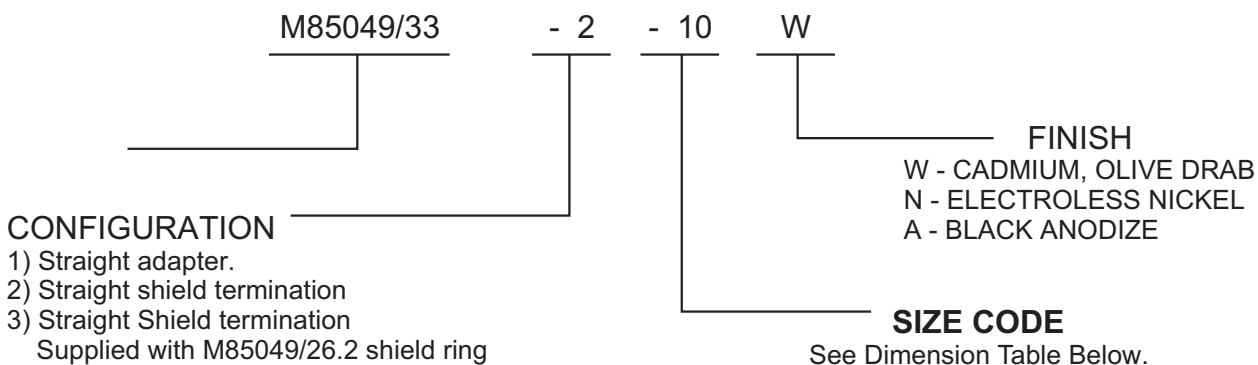


Back Shell  
M85049/14



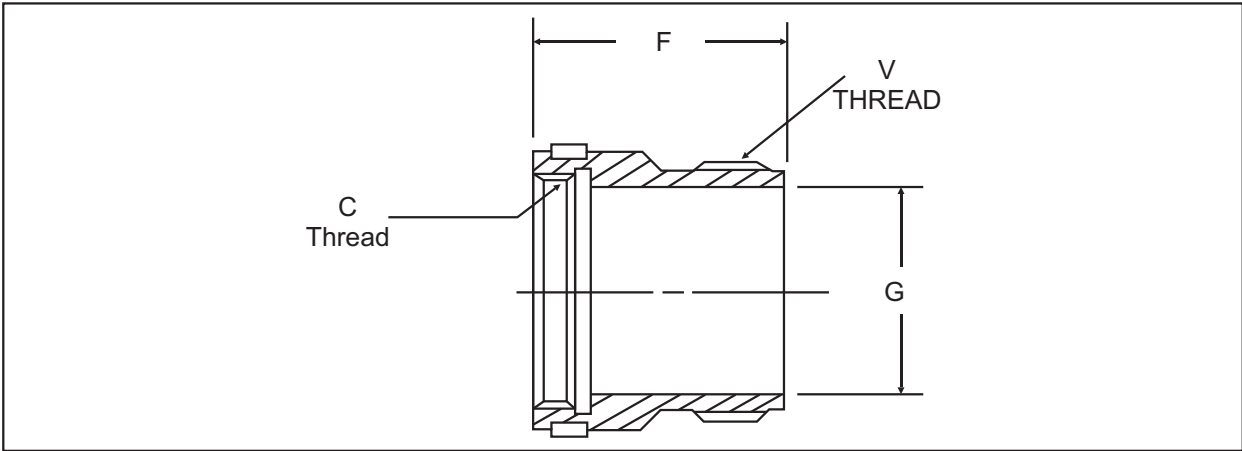
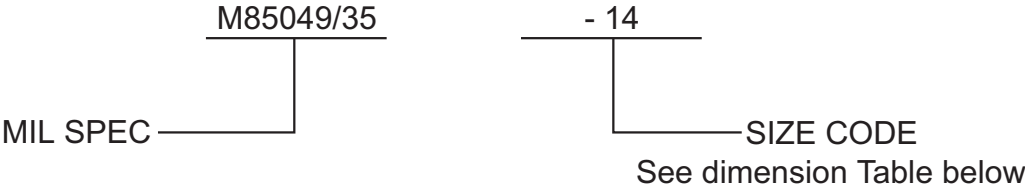
| Size Code | M85049 Self Locking Only |       | C Thread<br>Metric RH Class 6H |
|-----------|--------------------------|-------|--------------------------------|
|           | A max                    | B max |                                |
| 9         | 21.79                    | 16.76 | M12 x 1.0-0.10R                |
| 11        | 24.99                    | 16.76 | M15 x 1.0-0.10R                |
| 13        | 29.38                    | 16.76 | M18 x 1.0-0.10R                |
| 15        | 32.48                    | 16.76 | M22 x 1.0-0.10R                |
| 17        | 35.71                    | 16.76 | M25 x 1.0-0.10R                |
| 19        | 38.50                    | 16.76 | M28 x 1.0-0.10R                |
| 21        | 41.70                    | 16.76 | M31 x 1.0-0.10R                |
| 23        | 44.90                    | 16.76 | M34 x 1.0-0.10R                |
| 25        | 47.98                    | 16.76 | M37 x 1.0-0.10R                |

## Straight Shield Termination M85049/33



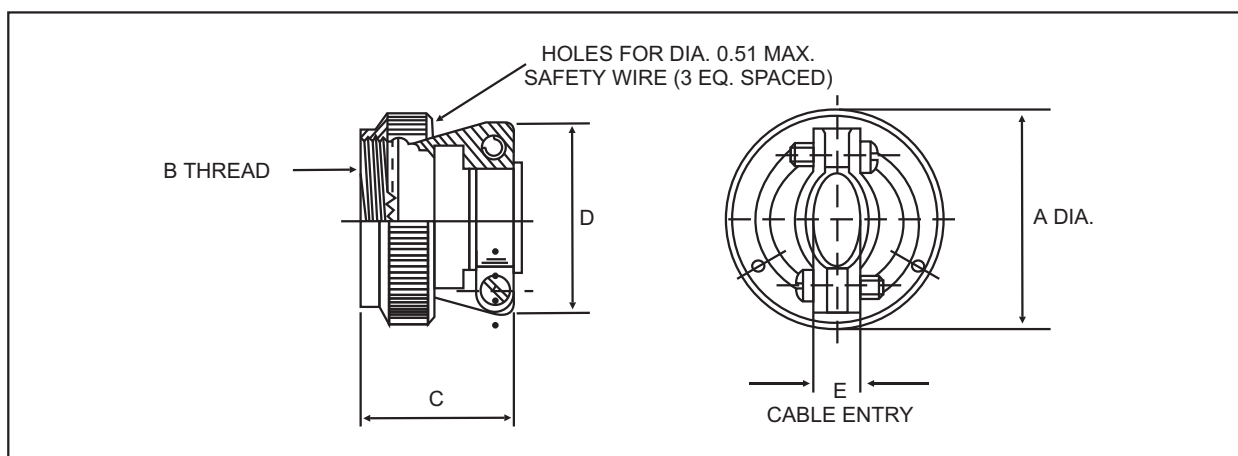
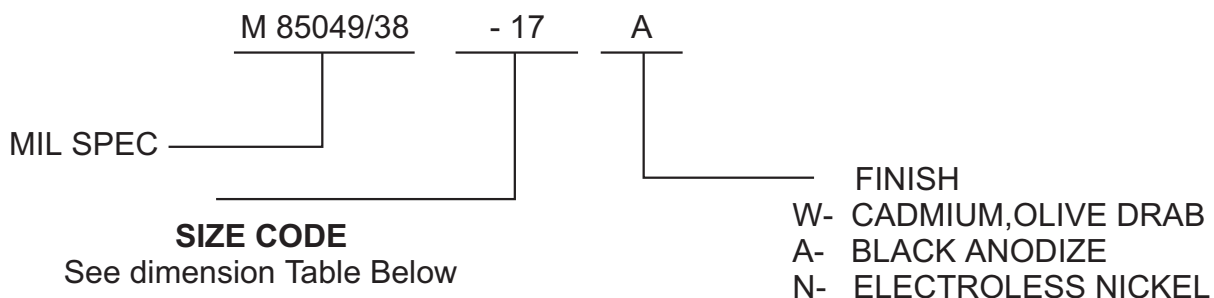
| Size Code | MIL-C-3899 Shell Size |           | A dia max | B max | C max | D dia max | F min | USE M85049/26-2 Crimp Ring |
|-----------|-----------------------|-----------|-----------|-------|-------|-----------|-------|----------------------------|
|           | Series I              | Series II |           |       |       |           |       |                            |
| 8         | 9                     | 8         | 19.05     | 13.72 | 28.88 | 8.82      | 6.74  | 8                          |
| 10        | 11                    | 10        | 21.59     | 13.72 | 28.88 | 12.65     | 8.72  | 10                         |
| 12        | 13                    | 12        | 25.40     | 13.72 | 28.88 | 12.83     | 11.10 | 12                         |
| 14        | 15                    | 14        | 27.94     | 13.72 | 28.88 | 16.00     | 14.28 | 14                         |
| 16        | 17                    | 16        | 31.75     | 13.72 | 28.88 | 19.31     | 17.45 | 16                         |
| 18        | 19                    | 18        | 35.56     | 13.72 | 28.88 | 22.61     | 20.63 | 18                         |
| 20        | 21                    | 20        | 38.10     | 13.72 | 28.88 | 25.66     | 23.80 | 20                         |
| 22        | 23                    | 22        | 41.91     | 13.72 | 28.88 | 28.71     | 26.57 | 12                         |
| 24        | 25                    | 24        | 43.18     | 13.72 | 28.88 | 30.54     | 28.58 | 24                         |

**Straight Adapter  
M 85049/35**



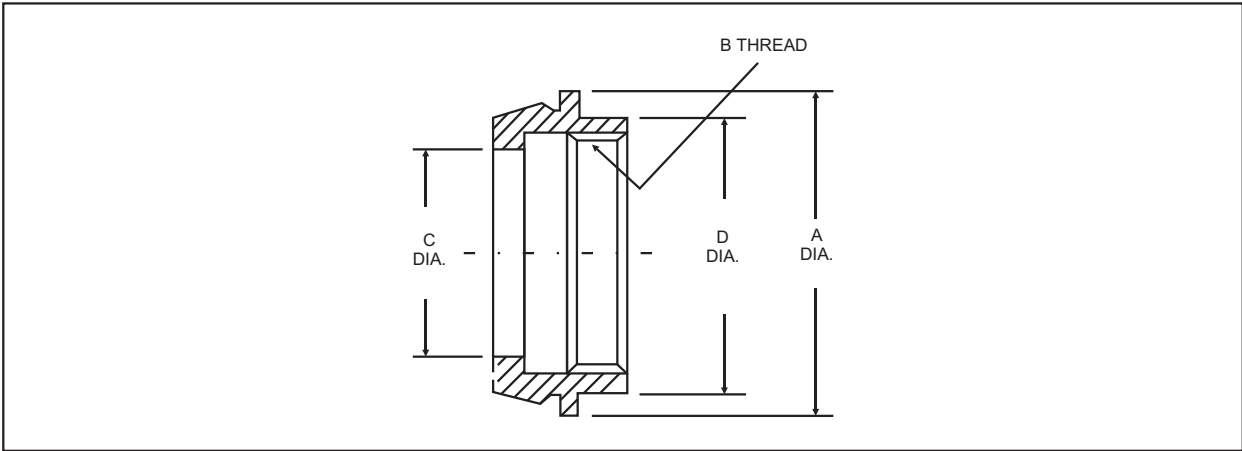
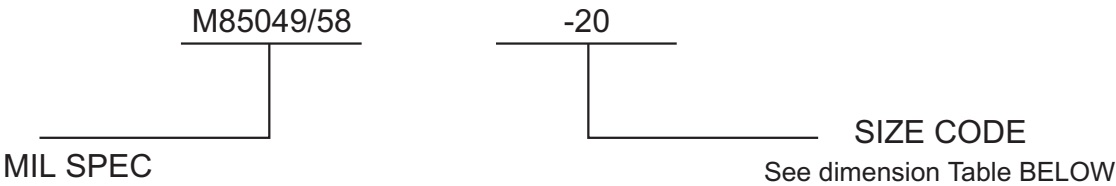
| Size code | MIL-C-38999 Shell Size |          | C Thread Class 2B UNEF | F max | G min dia | V Thread Class 2A UNEF |
|-----------|------------------------|----------|------------------------|-------|-----------|------------------------|
|           | Series 11              | Series 1 |                        |       |           |                        |
| 8         | 8                      | 9        | 7/16-28                | 17.48 | 7.14      | 1/2-28                 |
| 10        | 10                     | 11       | 9/16-24                |       | 10.32     | 5/8-24                 |
| 12        | 12                     | 13       | 11/16-20               |       | 13.49     | 3/4-20                 |
| 14        | 14                     | 15       | 13/16-20               |       | 16.67     | 7/8-20                 |
| 16        | 16                     | 17       | 15/16-20               |       | 19.83     | 1-20                   |
| 18        | 18                     | 19       | 1 1/16-18              |       | 22,23     | 1 3/16-18              |
| 20        | 20                     | 21       | 1 3/16-18              | 19.05 | 25.40     | 1 7/16-18              |
| 22        | 22                     | 23       | 1 5/16-18              |       | 28.58     |                        |
| 24        | 24                     | 25       | 1 7/16-18              |       | 31.57     |                        |

# Straight Strain Relief M 85049/38



| Shell Size | A max | B Metric R. H. Thread Class 6H | C max | D max | E Cable Clamp |       |
|------------|-------|--------------------------------|-------|-------|---------------|-------|
|            |       |                                |       |       | max           | min   |
| 9          | 21.79 | M12-1.0-0.100R                 | 27.9  | 21.6  | 5.94          | 2.49  |
| 11         | 24.99 | M15-1.0-0.100R                 | 27.9  | 22.9  | 5.94          | 3.89  |
| 13         | 29.39 | M18-1.0-0.100R                 | 30.5  | 27.9  | 8.83          | 4.83  |
| 15         | 32.49 | M22-1.0-0.100R                 | 31.8  | 29.2  | 11.61         | 6.60  |
| 17         | 35.71 | M25-1.0-0.100R                 | 34.3  | 33.0  | 16.10         | 7.19  |
| 19         | 38.50 | M28-1.0-0.100R                 | 40.6  | 38.1  | 15.60         | 8.26  |
| 21         | 41.70 | M31-1.0-0.100R                 | 43.2  | 40.6  | 17.73         | 8.71  |
| 23         | 44.91 | M34-1.0-0.100R                 | 47.0  | 43.2  | 20.90         | 9.68  |
| 25         | 47.98 | M37-1.0-0.100R                 | 49.5  | 45.7  | 21.67         | 10.62 |

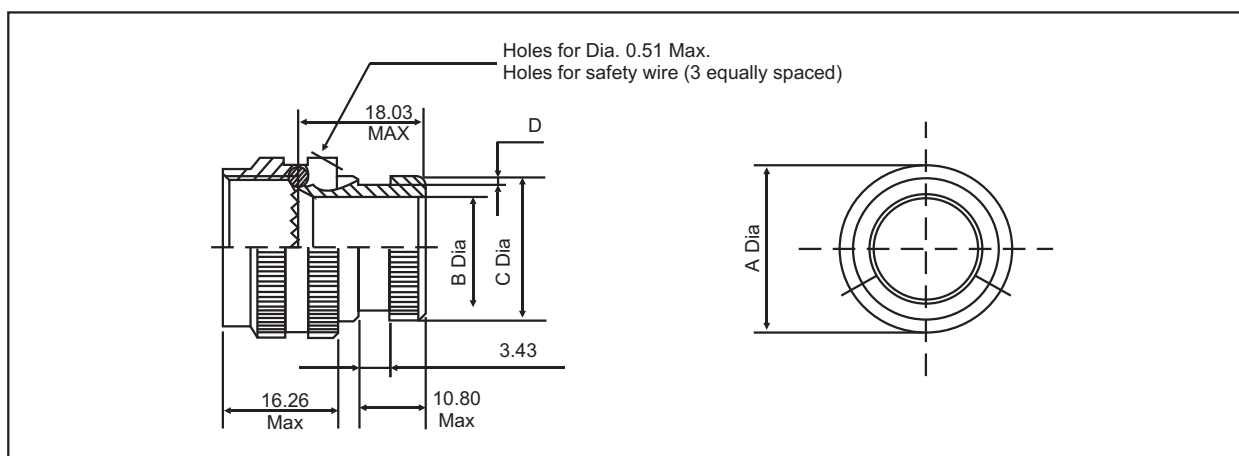
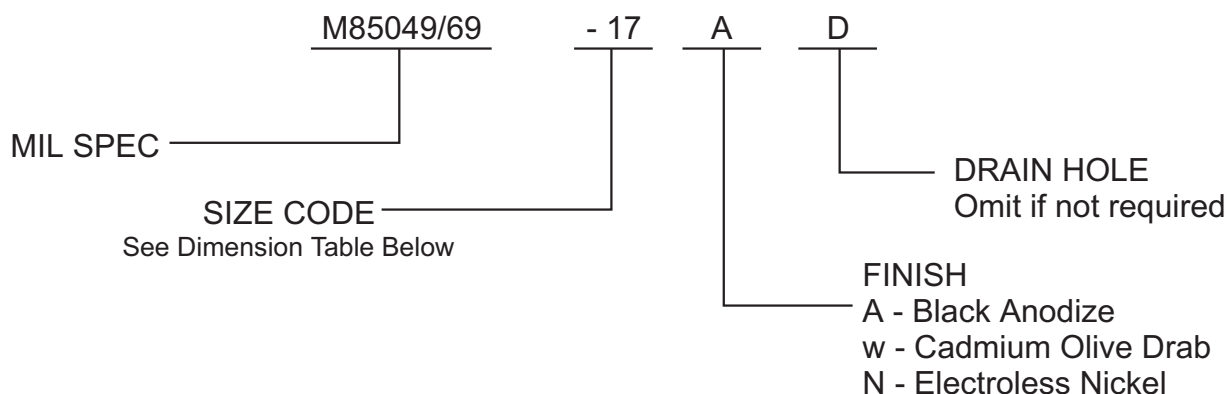
**Potting Boot Ring  
M85049/58**



| Size Code | MIL - C-38999 Shell Size |           | A max dia | B Thread UNEF Class 2B | C +.005 dia | D +.005 dia |
|-----------|--------------------------|-----------|-----------|------------------------|-------------|-------------|
|           | Series I                 | Series II |           |                        |             |             |
| 8         | 9                        | 8         | 15.24     | 7/16-28                | 8.74        | 12.70       |
| 10        | 11                       | 10        | 18.54     | 9/16-24                | 11.99       | 15.88       |
| 12        | 13                       | 12        | 21.59     | 11/16-24               | 14.89       | 19.05       |
| 14        | 15                       | 14        | 24.80     | 13/16-20               | 18.06       | 22.23       |
| 16        | 17                       | 16        | 28.00     | 15/16-20               | 21.24       | 25.40       |
| 18        | 19                       | 18        | 31.15     | 1-1/16-18              | 23.93       | 28.58       |
| 20        | 21                       | 20        | 34.35     | 1-3/16-18              | 27.11       | 31.75       |
| 22        | 23                       | 22        | 37.50     | 1-5/16-18              | 30.28       | 34.93       |
| 24        | 25                       | 24        | 40.70     | 1-7/16-18              | 33.46       | 38.10       |

STANDARD FINISH IS CADMIUM OLIVE DRAB FOR OTHER FINISHES CONSULT FACTORY

# Shrink Boot Adapter M85049/69



| Size Code | A Dia max | B max | C dia max | D<br>+0.00<br>-0.20 |
|-----------|-----------|-------|-----------|---------------------|
| 9         | 19.1      | 6.35  | 13.54     | 1.12                |
| 11        | 21.6      | 9.52  | 15.37     | 1.12                |
| 13        | 25.4      | 12.70 | 19.66     | 1.12                |
| 15        | 29.20     | 15.88 | 21.29     | 1.12                |
| 17        | 31.8      | 19.05 | 24.46     | 1.12                |
| 19        | 35.6      | 20.62 | 26.47     | 1.12                |
| 21        | 39.40     | 23.80 | 30.91     | 1.75                |
| 23        | 41.9      | 26.97 | 34.42     | 1.75                |
| 25        | 47.00     | 30.18 | 36.65     | 1.75                |

## **SERIES 164**

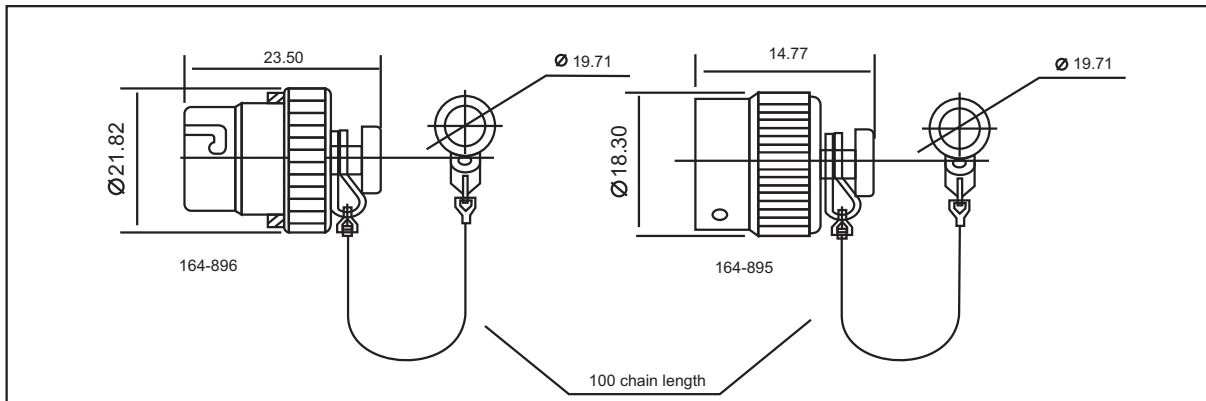
These are accessories compatible with connectors to MIL-C-55116. The standard finishes of these accessories are Cadmium with olive drab chromate. Other alternate finishes are also available on request.

|                |                                  |
|----------------|----------------------------------|
| <b>164-895</b> | <b>Cap for receptacles</b>       |
| <b>164-896</b> | <b>Cap for plug</b>              |
| <b>164-377</b> | <b>Cap for 10 pin Receptacle</b> |

## Accessories

### Cap and chain

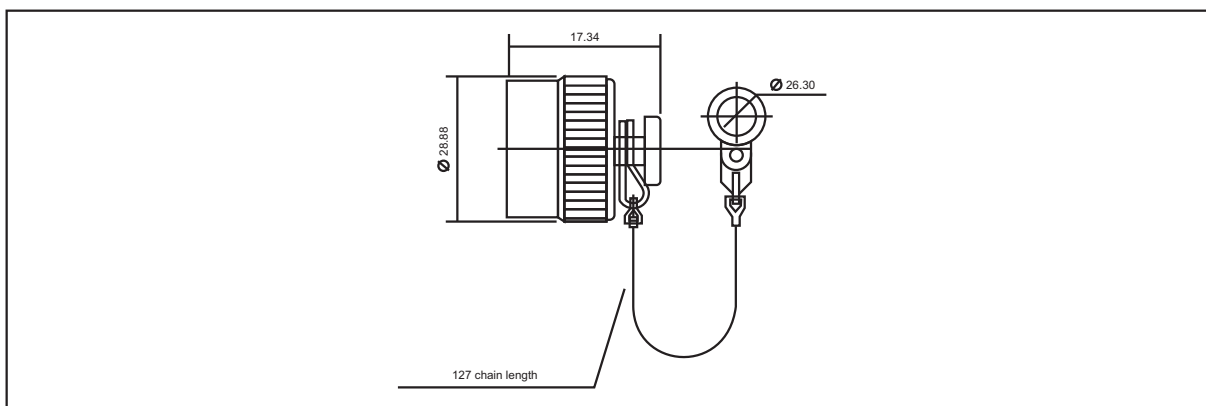
These cap and chain assemblies are used with 5 and 6 pin connectors as protective covers giving additional protection against moisture, dust and sand. The caps are manufactured from aluminum and black anodized. The chain is manufactured from stainless steel and is passivated.



All Dimensions are in mm

| Part Number | For Connector |
|-------------|---------------|
| 164-895     | 164-183       |
| 164-896     | 164-229       |

### Cap and chain for ten pin waterproof audio receptacles (U-79 / U) Part No. 164-377



#### Special accessories

Please contact factory with specifications and drawings. Amphenol has in-house capability to meet and custom build your special accessories requirements for circular connectors.

#### Notice :

All information, including illustrations given herein is believed to be accurate at the time printing. In Lieu of design advances. Amphenol reserves the right to change specifications without notice. This publication ACR 91/00-01 supersedes all existing Amphenol literature on backshells & accessories for circular connectors.





# Mouser Electronics

Authorized Distributor

Click to View Pricing, Inventory, Delivery & Lifecycle Information:

[Amphenol:](#)

[MS3057-8B](#) [MS3057-16A](#) [MS3057-8A](#) [MS305710A](#) [MS3057-4B](#) [MS3057-12A](#) [MS3057-6A](#)