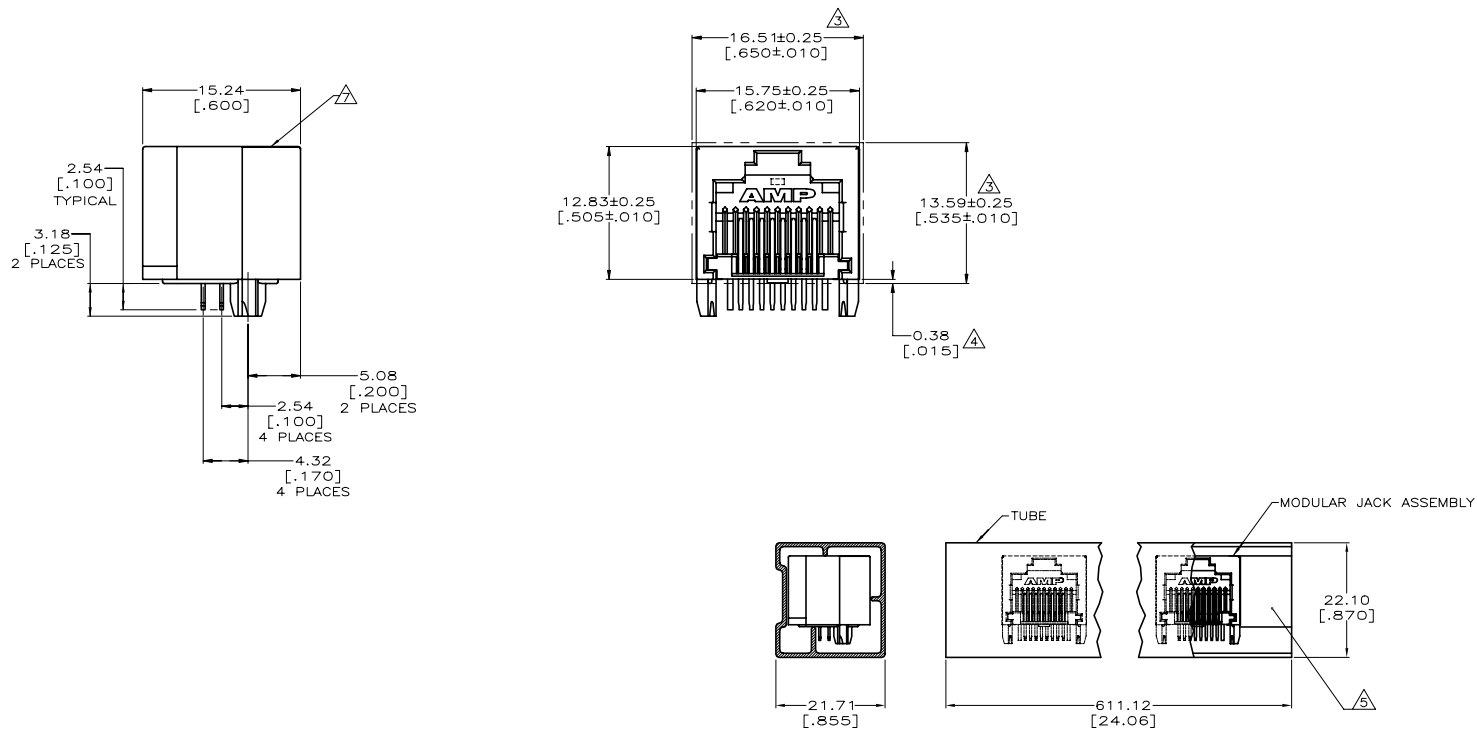
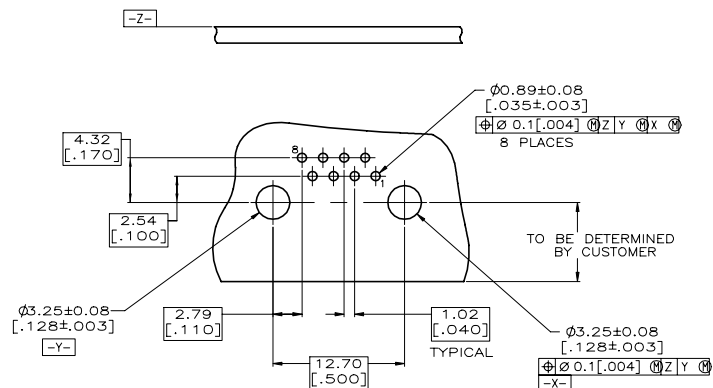


REVISIONS				
TR	LN	DESCRIPTION	DATE	BY / APPR
F1		ECO-18-014918	29AUG2020	RR / SH



- △ MATERIAL:
HOUSING - HIGH TEMPERATURE THERMOPLASTIC, BLACK, UL94V-0; IR REFLOW SOLDERING PROCESS COMPATIBLE.
TERMINALS - .36[.014] THICK PHOS BRONZE PLATED WITH 3.81µm[.000150] MINIMUM THICK (SEE P/N TABLE) IN SOLDER AREA. 1.27µm [0.00050] MINIMUM GOLD IN LOCALIZED PLATE AREA. ENTIRE TERMINAL PLATED WITH 1.27µm [0.00050] MINIMUM THICK NICKEL.
- 2. JACK CAVITY CONFORMS TO FCC RULES AND REGULATIONS PART 68, SUBPART F.
- △ SUGGESTED PANEL OPENING DIMENSIONS.
- △ SUGGESTED CLEARANCE BETWEEN BOTTOM OF CONNECTOR AND BOTTOM PANEL OPENING.
- △ PACKAGED 35 PIECES PER TUBE, SEE DETAIL "A".
- △ 80 PIECES/TRAY, 10 TRAYS/BOX.
- △ MANUFACTURING DATE CODE:
INK STAMP, LOCATED APPROX. AS SHOWN.
FIRST 2 DIGITS = LAST 2 DIGITS OF YEAR.
NEXT 2 DIGITS = MANUFACTURING WORK WEEK.
LAST DIGIT = DAY OF WEEK WITH SUNDAY = 1.

DETAIL A
TUBE PACKAGING
SCALE 2:1



SUGGESTED PRINTED CIRCUIT BOARD LAYOUT
(COMPONENT SIDE)

OBSOLETE	MATTE TIN	△ TUBE	1-406525-3
	MATTE TIN	△ TRAY, PICK & PLACE COMPATIBLE	1-406525-2
	MATTE TIN	TRAY	1-406525-1
OBSOLETE	BRIGHT TIN-LEAD	△ TUBE	406525-3
OBSOLETE	BRIGHT TIN-LEAD	△ TRAY, PICK & PLACE COMPATIBLE	406525-2
OBSOLETE	BRIGHT TIN-LEAD	TRAY	406525-1
	△ TERMINAL PLATING	PACKAGING	PART NUMBER
THIS DRAWING IS A CONTROLLED DOCUMENT.		DATE: 17SEP97	TE Connectivity
DESIGNER: S. GARBETT		DATE: 17SEP97	TE Connectivity
DRAWN: S. GARBETT		DATE: 17SEP97	TE Connectivity
CHECKED: M. BERSTINE		DATE: 17SEP97	TE Connectivity
APPROVED: M. BERSTINE		DATE: 17SEP97	TE Connectivity
PRODUCT SPEC: 108-1163-4			
APPLICATION SPEC: 114-2154			
MATERIAL FINISH: -		SIZE: A1	DATE CODE: 00779
WEIGHT: 0.000000		DRAWING NO: C-406525	RESTRICTED TO: -
CUSTOMER DRAWING		SCALE: 4:1	SHEET: 1 of 1
		REV: F1	