

Panel feed-through terminal block - VDFK 6/K-DP - 0711043

Please be informed that the data shown in this PDF Document is generated from our Online Catalog. Please find the complete data in the user's documentation. Our General Terms of Use for Downloads are valid (<http://phoenixcontact.com/download>)



Panel feed-through terminal block, connection method: Screw connection with tension sleeve, Solder connection, number of positions: 1, load current: 41 A, cross section: 0.2 mm² - 10 mm², connection direction of the conductor to plug-in direction: 0 °, width: 10 mm, color: gray

The figure shows version VDFK 6/K in gray

Your advantages

- ✓ Easy fixing using plastic knurled nut or quick mounting wedge
- ✓ Touch-proof insulating housing
- ✓ Spacer plates increase clearances and creepage distances
- ✓ Terminal blocks can be grouped
- ✓ Universal screw connection with screw locking
- ✓ Strain relief can be snapped on as an option
- ✓ Well-known connection principle allows worldwide use
- ✓ Low temperature rise, thanks to maximum contact force



Key Commercial Data

Packing unit	50 pc
Minimum order quantity	50 pc
GTIN	
GTIN	4017918117160

Technical data

Item properties

Brief article description	Panel feed-through terminal block
Range of articles	VDFK 6
Number of positions	1
Connection method	Screw connection with tension sleeve
Number of connections	2

Electrical parameters

Panel feed-through terminal block - VDFK 6/K-DP - 0711043

Technical data

Electrical parameters

Nominal current	41 A
Nom. voltage	500 V
Rated voltage	500 V
Rated surge voltage (III/3)	6 kV

Connection capacity, external

Connection method	Screw connection with tension sleeve
Connection direction of the conductor to plug-in direction	0 °
Conductor cross section solid	0.2 mm ² ... 10 mm ²
Conductor cross section flexible	0.2 mm ² ... 6 mm ²
Conductor cross section flexible, with ferrule without plastic sleeve	0.25 mm ² ... 6 mm ²
Conductor cross section, flexible, with ferrule, with plastic sleeve	0.25 mm ² ... 6 mm ²
2 conductors with same cross section, solid	0.2 mm ² ... 4 mm ²
2 conductors with same cross section, flexible	0.2 mm ² ... 4 mm ²
2 conductors with same cross section, flexible, with ferrule without plastic sleeve	0.25 mm ² ... 2.5 mm ²
2 conductors with the same cross section, flexible, with TWIN ferrule with plastic sleeve	0.5 mm ² ... 4 mm ²
Internal cylindrical gage	A5
Stripping length	9 mm
Torque	1.5 Nm ... 1.8 Nm

Connection capacity, internal

Connection method	Solder connection
Connection direction of the conductor to plug-in direction	0 °

Material data - contact

Note	WEEE/RoHS-compliant, free of whiskers according to IEC 60068-2-82/ JEDEC JESD 201
Contact material	Cu alloy
Surface characteristics	tin-plated

Material data - housing

Housing color	gray (7042)
Insulating material	PA
Insulating material group	I
CTI according to IEC 60112	600
Flammability rating according to UL 94	V0
Glow wire flammability index GWFI according to EN 60695-2-12	850
Glow wire ignition temperature GWIT according to EN 60695-2-13	775
Temperature for the ball pressure test according to EN 60695-10-2	125 °C

Dimensions for the product

Width [w]	10 mm
-------------	-------

Panel feed-through terminal block - VDFK 6/K-DP - 0711043

Technical data

Dimensions for the product

Pitch	10 mm
-------	-------

Dimensions for mounting cutout

Plate thickness	4 mm ... 7 mm
-----------------	---------------

Packaging information

Pieces per package	50
Denomination packing units	Pcs.

Electrical tests

Rated current	41 A
Conductor cross section	6 mm ²

Air clearances and creepage distances

Clearances and creepage distances	Internal part molded
Application	Internal part molded
Minimum clearance - inhomogeneous field (III/3)	5.5 mm

Standards and Regulations

Connection in acc. with standard	CSA
	IEC 60947-7-1
Flammability rating according to UL 94	V0
Safety note	<ul style="list-style-type: none"> • WARNING: Only electrically qualified personnel may install and operate the product. They must observe the following safety notes. The qualified personnel must be familiar with the basics of electrical engineering. They must be able to recognize and prevent danger. The relevant symbol on the packaging indicates that only personnel familiar with electrical engineering are allowed to install and operate the product. • The installation notes/Design In documents online on the download page at phoenixcontact.com/products must be observed for this product. • The cable entry funnel is not safe to touch. Never connect or disconnect the terminal when it is energized. Take appropriate steps to ensure touch protection. • To maintain the nominal voltage, cast the terminals on the inside. # There is no electrical contact to the housing. Ensure protective grounding is established for green-yellow color versions.

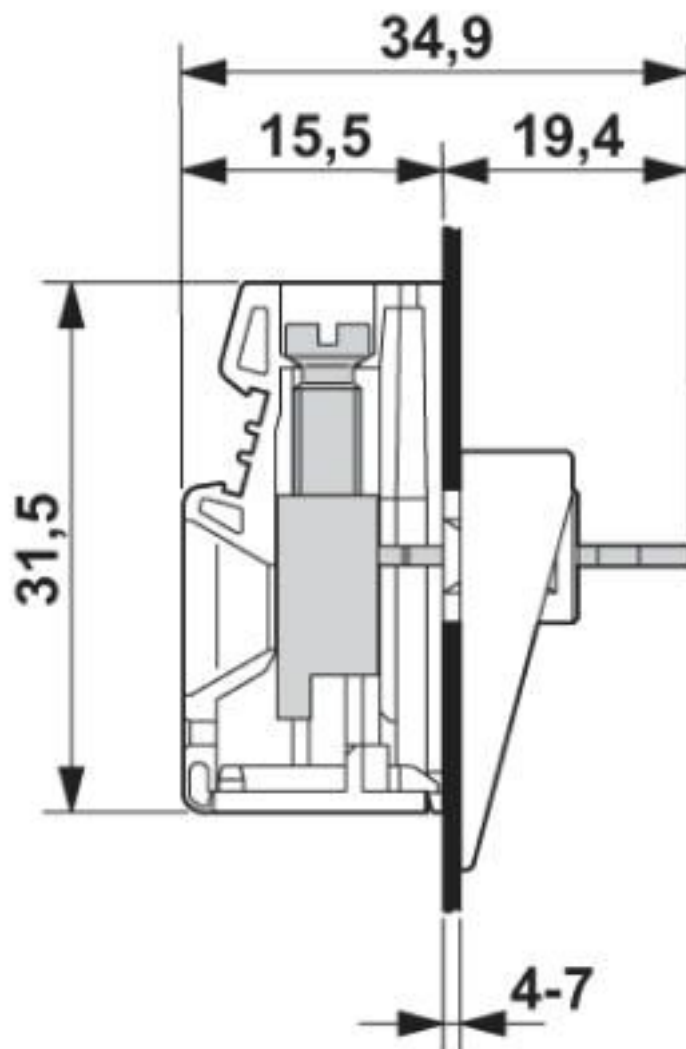
Environmental Product Compliance

REACH SVHC	Lead 7439-92-1
China RoHS	Environmentally Friendly Use Period = 50 years
	For details about hazardous substances go to tab "Downloads", Category "Manufacturer's declaration"

Drawings

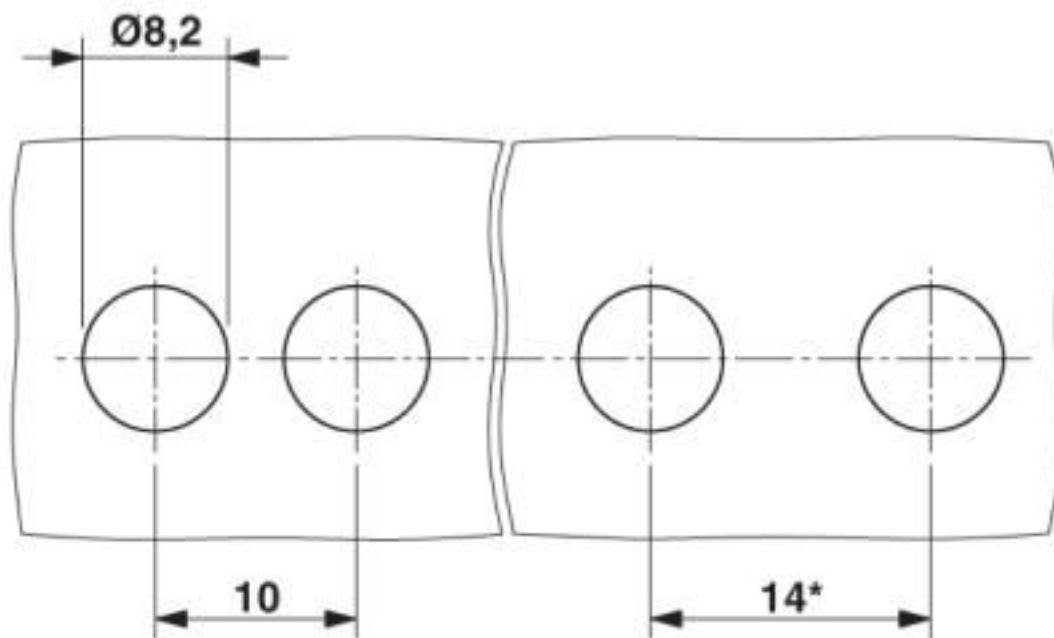
Panel feed-through terminal block - VDFK 6/K-DP - 0711043

Dimensional drawing



Panel feed-through terminal block - VDFK 6/K-DP - 0711043

Dimensional drawing



Classifications

eCl@ss

eCl@ss 10.0.1	27141134
eCl@ss 4.0	27141100
eCl@ss 4.1	27141100
eCl@ss 5.0	27141100
eCl@ss 5.1	27141100
eCl@ss 6.0	27141100
eCl@ss 7.0	27141134
eCl@ss 8.0	27141134
eCl@ss 9.0	27141134

ETIM

ETIM 2.0	EC001283
ETIM 3.0	EC001283
ETIM 4.0	EC001283
ETIM 5.0	EC001283
ETIM 6.0	EC001283
ETIM 7.0	EC001283

UNSPSC

UNSPSC 6.01	30211811
UNSPSC 7.0901	39121410
UNSPSC 11	39121410

Panel feed-through terminal block - VDFK 6/K-DP - 0711043

Classifications

UNSPSC

UNSPSC 12.01	39121410
UNSPSC 13.2	39121410
UNSPSC 18.0	39121410
UNSPSC 19.0	39121410
UNSPSC 20.0	39121410
UNSPSC 21.0	39121410

Approvals


Approvals


Approvals


CSA / KEMA-KEUR / IECCE CB Scheme / EAC / cULus Recognized

Ex Approvals

Approval details

CSA		http://www.csagroup.org/services-industries/product-listing/	LR13631-70215335
	B	C	D
Nominal voltage UN	300 V	150 V	300 V
Nominal current IN	50 A	50 A	10 A
mm ² /AWG/kcmil	26-8	26-8	26-8

KEMA-KEUR		http://www.dekra-certification.com	2169260.01
Nominal voltage UN	500 V		
Nominal current IN	41 A		
mm ² /AWG/kcmil	6		

IECEE CB Scheme		http://www.iecee.org/	NL-29947
Nominal voltage UN	500 V		
Nominal current IN	41 A		

Panel feed-through terminal block - VDFK 6/K-DP - 0711043

Approvals

mm ² /AWG/kcmil	6
----------------------------	---

EAC		B.01687
-----	--	---------

cULus Recognized		http://database.ul.com/cgi-bin/XYV/template/LISEXT/1FRAME/index.htm	E60425-19770427
------------------	--	---	-----------------

	B	C	D
Nominal voltage UN	300 V	150 V	300 V
Nominal current IN	50 A	50 A	10 A
mm ² /AWG/kcmil	26-8	26-8	26-8

Phoenix Contact 2020 © - all rights reserved
<http://www.phoenixcontact.com>

PHOENIX CONTACT GmbH & Co. KG
Flachsmarktstr. 8
32825 Blomberg
Germany
Tel. +49 5235 300
Fax +49 5235 3 41200
<http://www.phoenixcontact.com>

Mouser Electronics

Authorized Distributor

Click to View Pricing, Inventory, Delivery & Lifecycle Information:

[Phoenix Contact:](#)

[0711043](#)