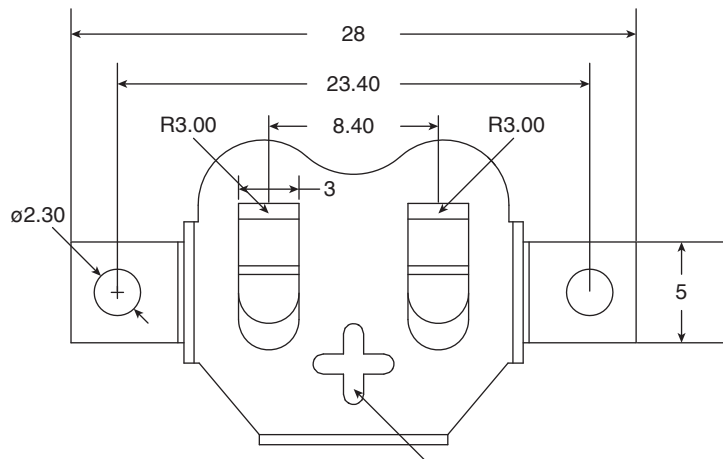
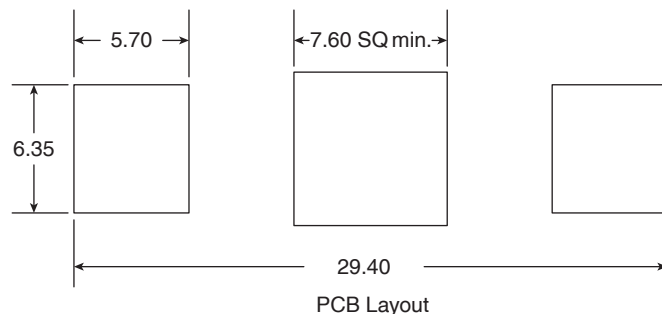
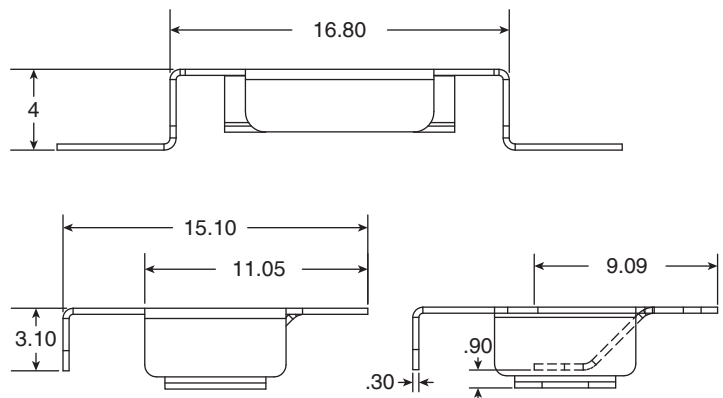
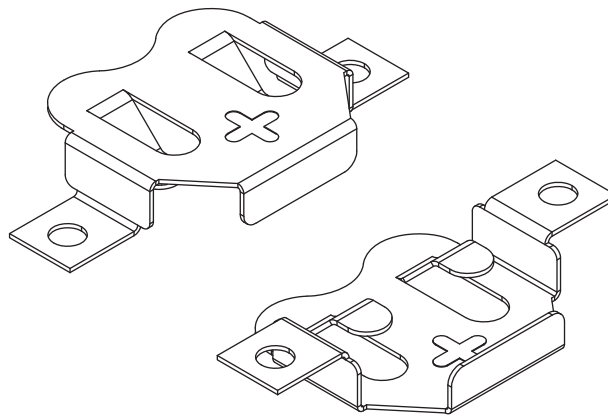


DIMENSIONS: mm.



Stamped Polarity Marking (+)



SPECIFICATIONS

Material:	.30mm Phosphor Bronze 1/2H, Nickel Plated 4" - 6μ"
Battery Size:	CR1612, CR1616, and CR1620
RoHS Compliant	

Mouser Electronics

Authorized Distributor

Click to View Pricing, Inventory, Delivery & Lifecycle Information:

[Eagle Plastic Devices:](#)

[12BH022-GR](#)