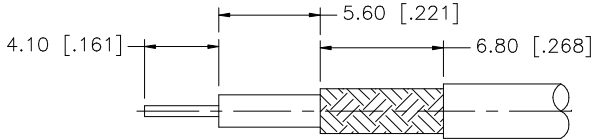
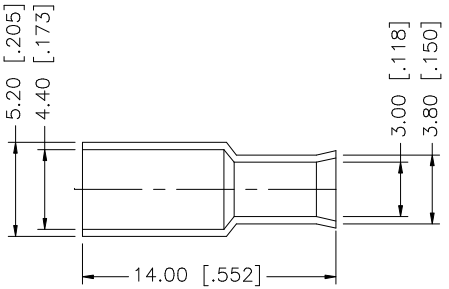
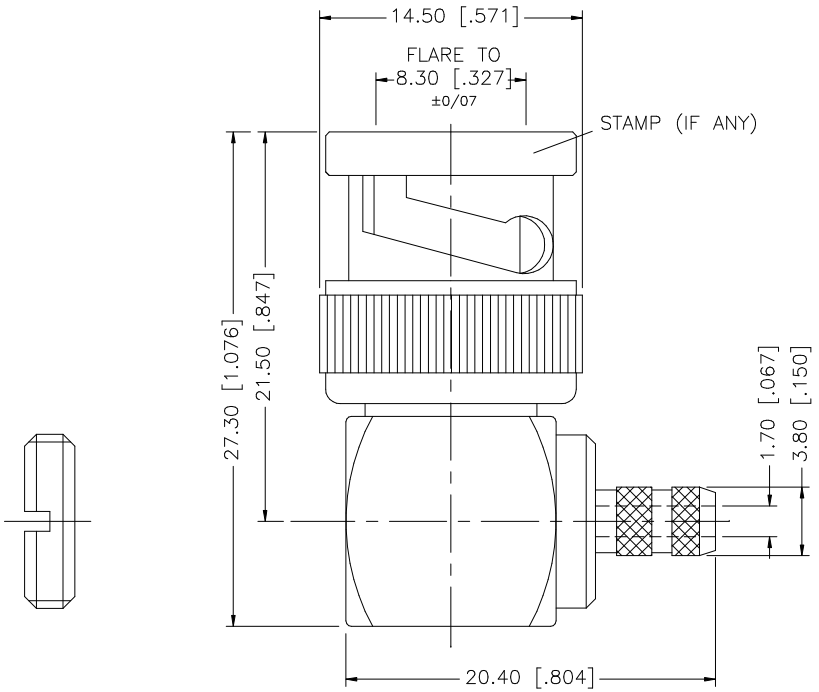


REV.	DATE	DESCRIPTION
A	01/04/04	UPDATE DRAWING FORMAT
B	03/10/06	MODIFY DESCRIPTION TO "50ohm"



RECOMMENDED
CABLE STRIPPING DIM'S

- NOTE:
1. CRIMPED FERRULE
HEX CRIMP SIZE .178"
 2. CONTACT PIN TO SOLDER

8				
7				
6				
5	NUT	BRASS	NICKEL	1
4	FERRULE	COPPER	NICKEL	1
3	CONTACT PIN	BRASS	GOLD	1
2	INSULATOR	DELTRIN	NATURAL	1
1	BODY	BRASS	NICKEL	1
	DESCRIPTION	MATERIAL	FINISH	QTY

UNLESS OTHERWISE SPECIFIED DIMENSIONS ARE IN MILLIMETERS. DIMENSIONS IN [] ARE IN INCHES AND FOR CUSTOMER REFERENCE ONLY.

UNLESS OTHERWISE SPECIFIED TOLERANCES FOR MILLIMETERS ARE:
0.5 - 8mm ± 0.20mm
8 - 30mm ± 0.40mm
30 - 120mm ± 0.50mm

UNLESS OTHERWISE SPECIFIED TOLERANCES FOR INCHES ARE:
.020 - .315 = ± 0.007"
.315 - 1.180 = ± 0.015"
1.180 - 4.724 = ± 0.020"

DO NOT SCALE DRAWING

APPROVALS	DATE
DRAWN G.R.S.	03/10/06
CHECKED	
ISSUED	
SHEET 1 OF 1	
CAD FILE	C:/112/112178.DWG

Amphenol Connex

PART DESCRIPTION
BNC R/A CRIMP PLUG - 50ohm
(FOR RG-174/U, 188A/U, 316/U CABLE)

PART NO.
112178

DWG. NO.	112178.DWG	REV.	B	SIZE	A	SCALE	NA
----------	------------	------	---	------	---	-------	----

Mouser Electronics

Authorized Distributor

Click to View Pricing, Inventory, Delivery & Lifecycle Information:

[Amphenol:](#)

[112178](#)