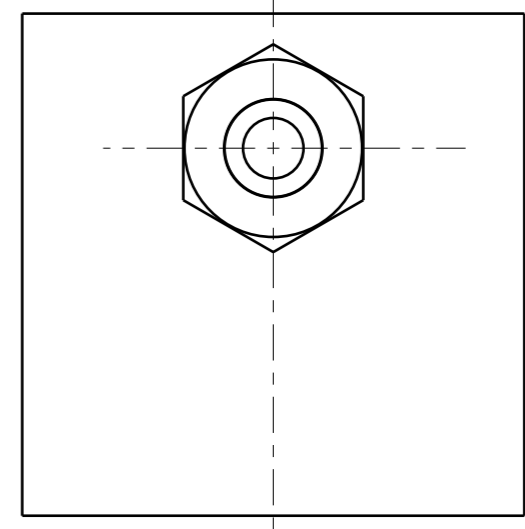
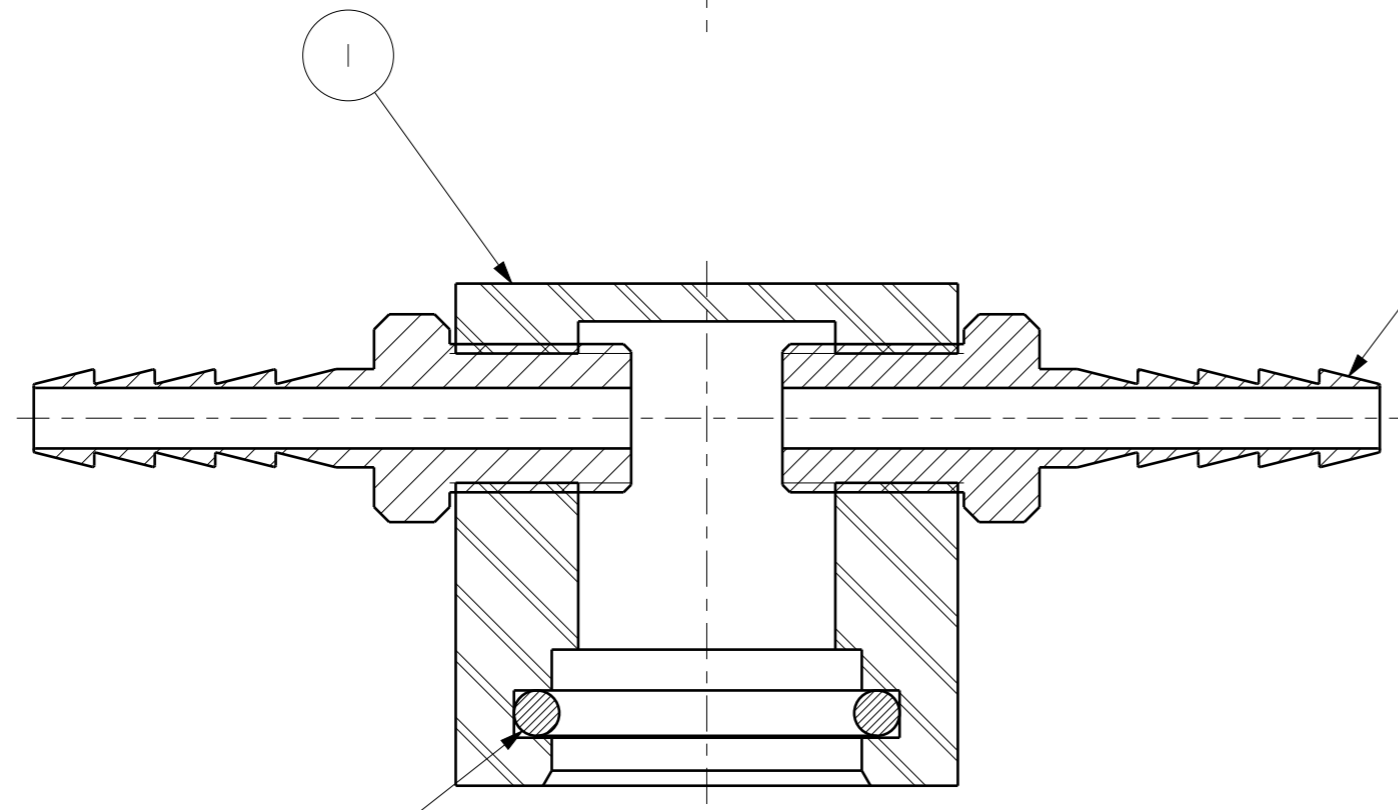


SCALE 1:1



REF.	PART NO.	DESCRIPTION	QTY.
1	JPP762258AA	MINISENSOR GAS CAP	1
2	M82286A	O-RING 19.50 ID x 3.00	1
3	M82287A	BRASS HOSE TAIL 1/8 BSSP	2

MATERIAL		SECURITY CLASSIFICATION		PROJECT SAFETY OFFICER (PSO)	
FINISH				e2v e2v technologies (uk) ltd 106 Waterhouse Lane, Chelmsford Essex, CMI 2QU United Kingdom	
MODELLED				TITLE FLOW HOOD ASSEMBLY	
DRAWN		SHOULD THIS DRAWING BE DISTRIBUTED ELECTRONICALLY, THE DATA CONTAINED MUST BE CHECKED WITHIN THE DIMENSIONAL CONSTRAINTS SHOWN BEFORE TRANSFER TO ANY FORM OF COMPUTER AIDED MANUFACTURE.		DOCUMENT IDENTITY JAS767906AA	
APPROVED		GENERAL TOLERANCE UNLESS OTHERWISE STATED LINEAR ± ANGULAR ±		VERSION 1 ECR 107155 DATE 15-OCT-09	
MACHINED FINISH 16/ (BS:1134) UNLESS OTHERWISE STATED		ALL DIMENSIONS IN mm UNLESS OTHERWISE STATED. IMPERIAL AND AUXILIARY DIMENSIONS IN BRACKETS. DIMENSIONS AND TOLERANCES APPLY TO THE MANUFACTURED PART INCLUDING ANY FINISH THIS DOCUMENT SPECIFIES. REMOVE ALL BURRS AND SHARP EDGES. FOR GENERAL MANUFACTURING INSTRUCTIONS SEE CP5-3-5. FOR EXPLANATION OF DRAWING TERMS AND SYMBOLS REFER TO BS:8888 OR BS:308		SHEET 1 OF 1	
A3 5063c-5		© e2v technologies (uk) ltd 2009. A Limited Company Registered in England No. 432014. Registered Office: 106 Waterhouse Lane, Chelmsford CMI 2QU, UK. Holding Company: e2v technologies plc. This document is supplied by e2v technologies (uk) ltd on the express understanding that it is to be treated as confidential and that it may not be copied, used or disclosed to others in whole or in part for any purpose except as authorised in writing by e2v technologies (uk) ltd.			