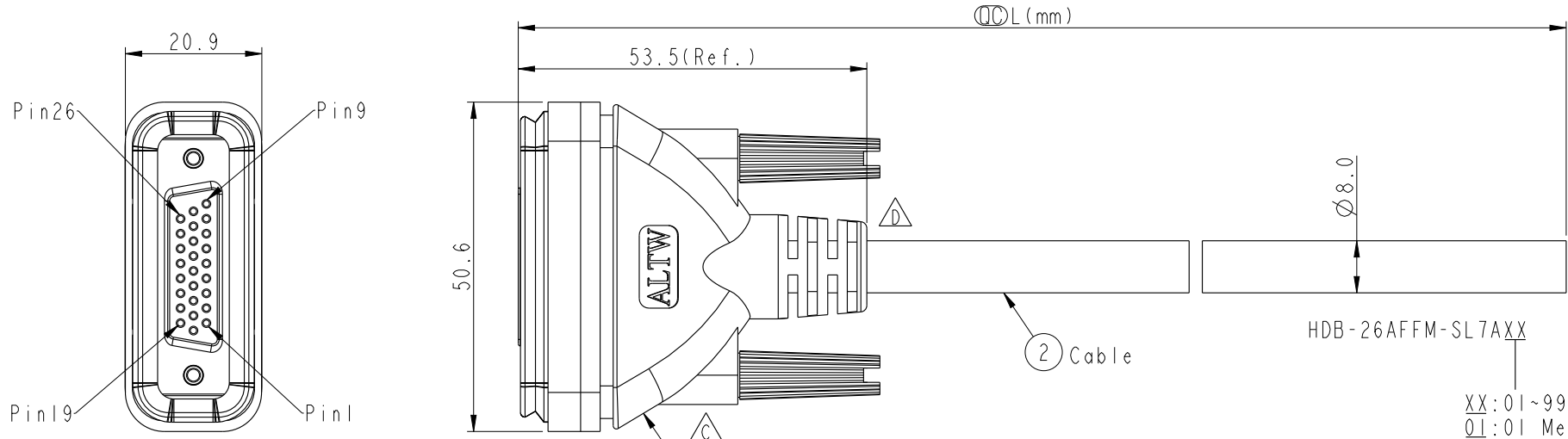


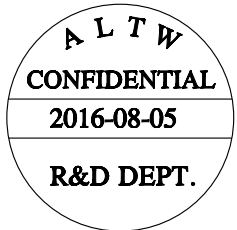
THIS DOCUMENT IS SUBJECT TO CHANGE WITHOUT NOTICE. IT IS CONFIDENTIAL AND A PROPERTY OF AMPHENOL LTW. DISCLOSURE TO THIRD PARTY HAS TO BE AUTHORIZED BY AMPHENOL LTW.

REV.	ECN NO.	DATE	SIGN	DESCRIPTION
B	LE31140022-227	2011/04/11	Vicky	Modify Note.
C	LEN1530093-099	2015/02/10	Ruru	Change Logo
D	LEN1681365-371	2016/08/05	Joy	Modify The SR



HDB-26AFFM-SL7AXX
 XX: 01~99Meter
 01: 01 Meter
 02: 02 Meter
 ...
 99: 99Meters
 Cable Length(L): 01~99Meters

Shell	Drain	地線			
13	Black/White	黑/白	26	Gray/Black	灰/黑
12	Light Green	淺綠	25	Green/Black	綠/黑
11	Purple	紫	24	Yellow/Black	黃/黑
10	Orange	橘	23	Pink/Red	粉紅/紅
9	Black	黑	22	Pink/Black	粉紅/黑
8	Red	紅	21	Orange/Black	橘/黑
7	Pink	粉紅	20	Red/Black	紅/黑
6	Gray	灰	19	Purple/White	紫/白
5	Yellow	黃	18	Blue/White	藍/白
4	Green	綠	17	Green/White	綠/白
3	White	白	16	Orange/White	橘/白
2	Blue	藍	15	Red/White	紅/白
1	Brown	棕	14	Brown/White	棕/白
Conn.	Wire Color		Conn.	Wire Color	



- Note:**
- * \varnothing Important Dimension.
 - * Waterproof Rate: IP67
 - * Housing: ABS, Black
 - * Female Pin: Copper Alloy, Gold Plated.
 - * Gasket: EPDM, Black
 - * Screw: Steel, Nickel Plated.
 - * Cable: UL2464 26AWG*26C+Drain+Al/My, PVC Jacket (UV Resistant), OD=8.0mm, Black.
 - * Cable Length Tolerance:
 - 01M~05M: ±60mm
 - 06M~10M: ±100mm
 - 11M~30~: ±200mm
 - 31M~99M: ±500mm

UNIT:mm			TITLE High Density D-SUB Cable Screw 26P F Conn F Pin
TOLERANCE .X ±0.25 .XX ±0.1 .XXX ±0.05 ANGLES ±1°	SCALE 1:2	SIZE A4	SHEET 1 OF 1
REV. D	WC-REV. A.2	\varnothing : Inspection item	

Amphenol LTW
 安費諾亮泰企業股份有限公司

ITEM NO	DRAWN BY Joy	DATE 2016-08-05
DWG NO HDB-26AFFM-SL7AXX	CHECKED BY Ma Fei	DATE 2016-08-05
CUSTOMER ALTW	APPROVED BY Jerry	DATE 2016-08-05

Mouser Electronics

Authorized Distributor

Click to View Pricing, Inventory, Delivery & Lifecycle Information:

[Amphenol:](#)

[HDB-26AFFM-SL7A03](#)