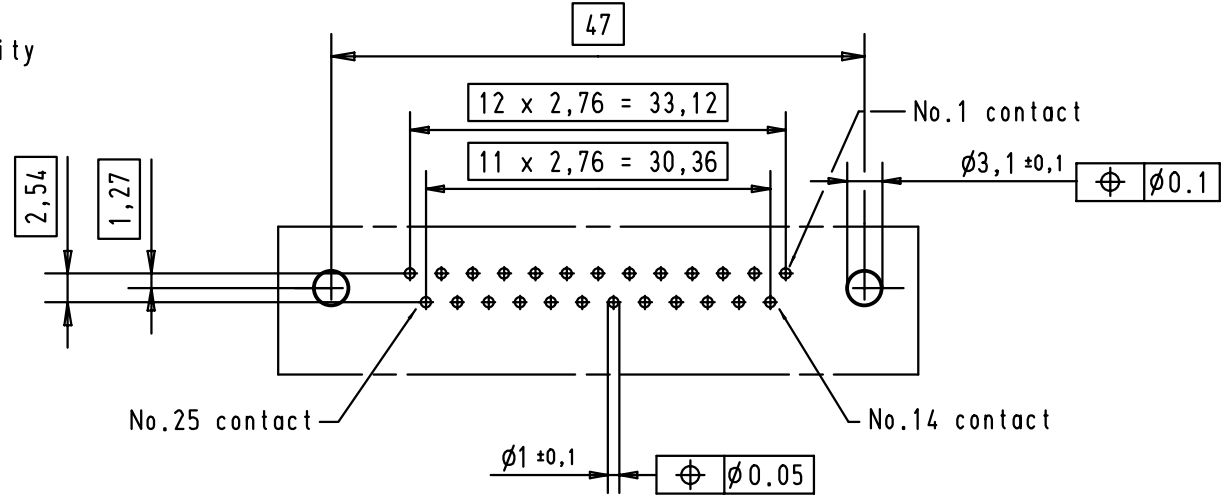
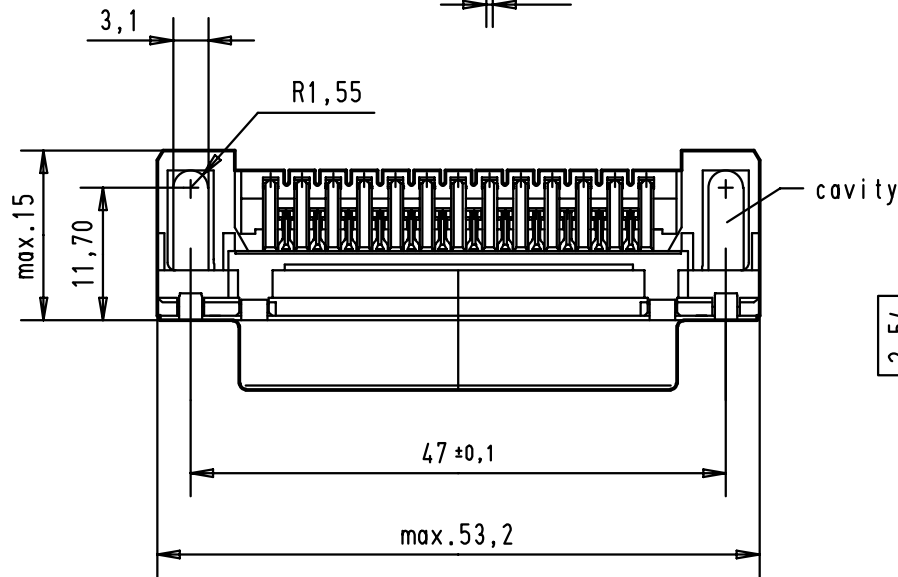
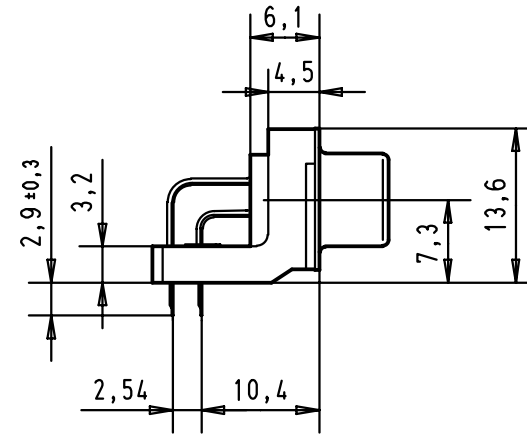
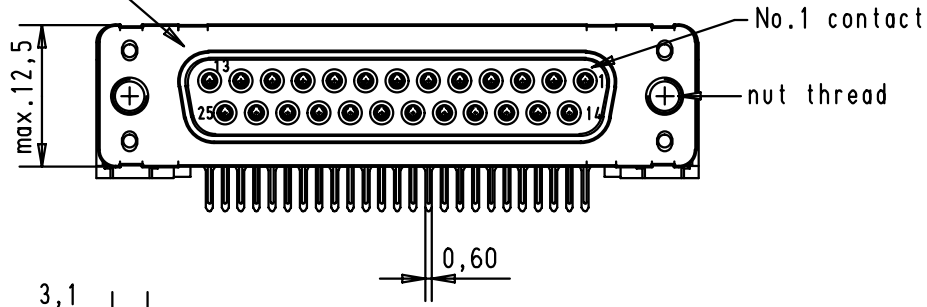
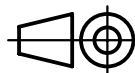



5 4 3 2 1

Mating face according to : MIL-C-24308 / DIN 41652 / CECC 75301-802



A	09 66 312 6601	M 3	2							 All Dim. in mm Orig. Size DIN A 4	D-Sub 25 poles standard angle female, solder pin with nut and hole Maßstab/Scale 1.5:1
	09 66 312 7601	M 3	3				Detail.	28/nov/00	ALSPACE		
	09 66 312 5601	M 3	0.76 µm Au				Insp.				
	09 66 312 6602	4-40 UNC	2				Stand.				
	09 66 312 7602	4-40 UNC	3	29773	18-APR-02	CV	HARTING EURL F-95972 Paris				
	09 66 312 5602	4-40 UNC	0.76 µm Au	27960	28/nov/00	ALSPACE	 TB 0966312x60x Sub.				
	Part number	Nut thread	Performance level	Mod.	Dat.	Name				Blatt/ Page 2	