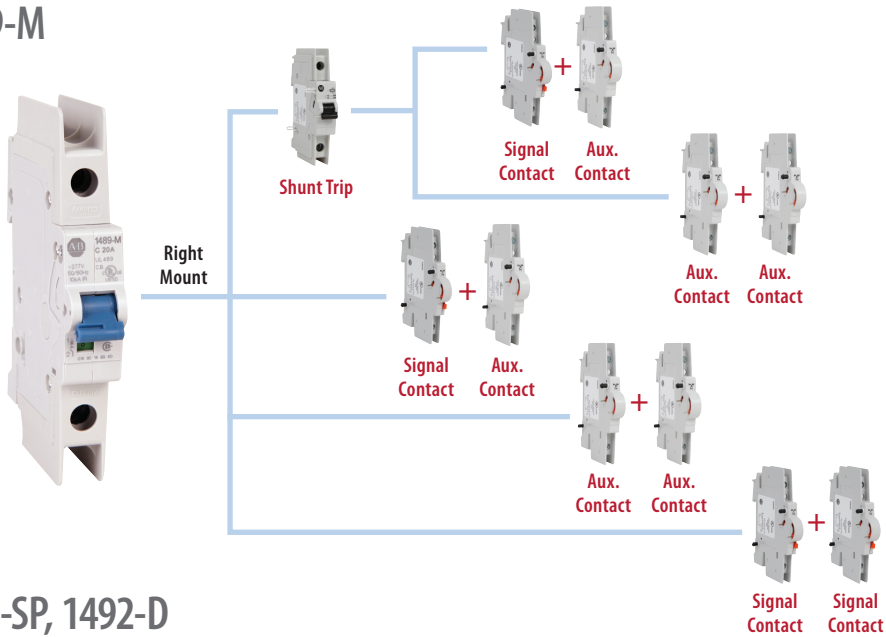


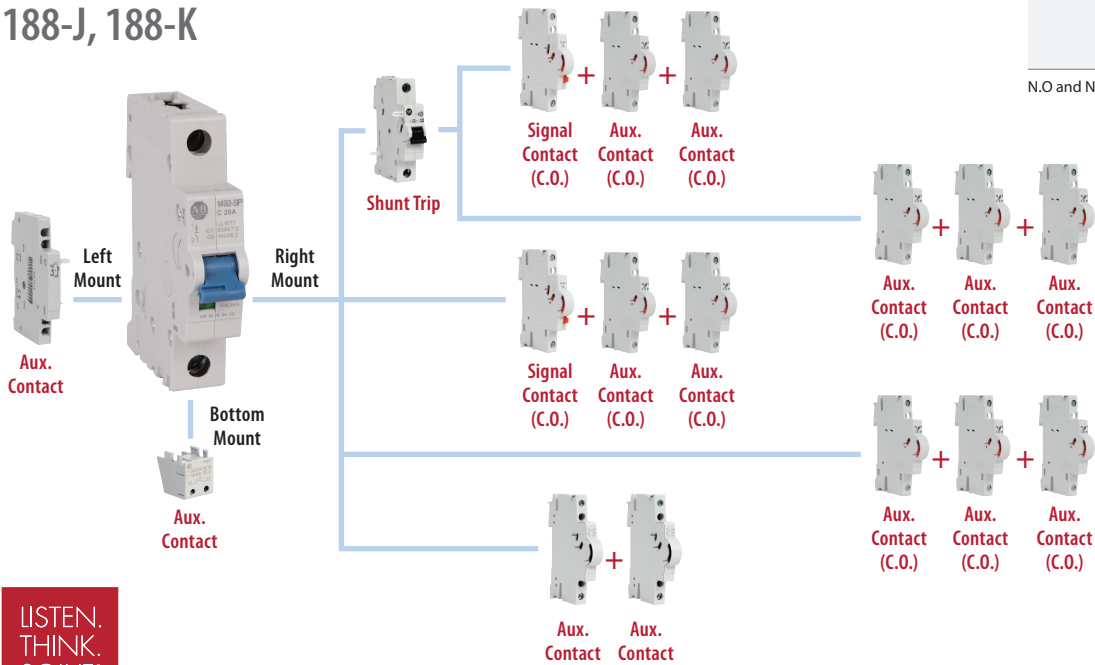
MCB ACCESSORY INSTALLATION DIAGRAMS

Note: These diagrams show the maximum number of accessories and the order allowed.

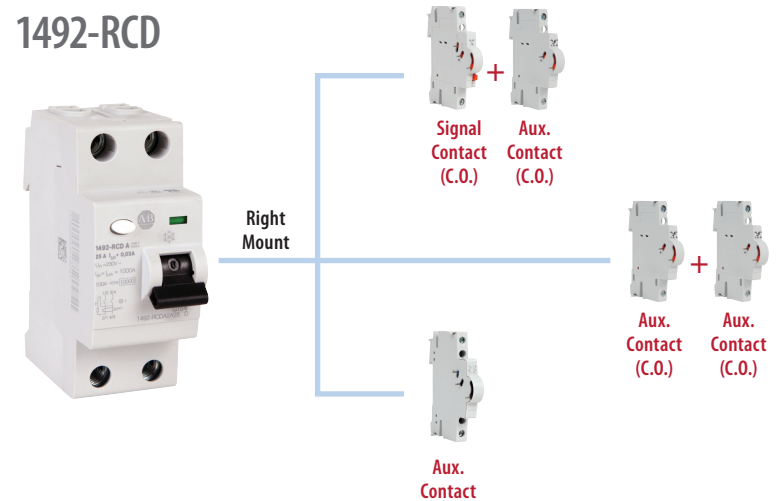
1489-M



1492-SP, 1492-D 188-J, 188-K



1492-RCD



Accessory Compatibility

Type	Catalog No.	Mounting Location	Contacts	1489-M	1492-SP, 1492-D 188-J, 188-K	1492-RCD
Shunt Trip	1489-AMST1	Right	-	✓		
	1489-AMST2	Right	-	✓		
	189-AST1	Right	-		✓	
	189-AST2	Right	-		✓	
Signal Contact	1489-AMRS3	Right	1 C.O.	✓		
Aux/Signal Contact	189-ASCR3	Right	1 C.O.		✓	✓
Auxiliary Contact	1489-AMRA3	Right	1 C.O.	✓		
	189-AR3	Right	1 C.O.		✓	✓
	189-AR11	Right	1 N.O. + 1 N.C.		✓	✓
	189-AR02	Right	2 N.C.		✓	✓
	189-AR20	Right	2 N.O.		✓	✓
	189-AL11	Left	1 N.O. + 1 N.C.		✓	
	189-AL02	Left	2 N.C.		✓	
	189-AL20	Left	2 N.O.		✓	
	189-AB01	Bottom	1 N.C.		✓	
	189-AB10	Bottom	1 N.O.		✓	

N.O and N.C. contacts may not be combined with shunt trips or C.O. (change-over) type contacts.

LISTEN.
THINK.
SOLVE.®