

NOTES:

1. CRIMP CONTACTS SUPPLIED UNASSEMBLED.
2. REFER TO DRAWING HPSFMISTD FOR CONTACT PATTERNS.
3. DIMENSIONS ARE REFERENCE ONLY, IN INCHES [mm], WITHIN ±0.015 UNLESS OTHERWISE NOTED.

CABLE-END CONNECTOR PART NUMBERS:

S F 6 9 8 X - X S G - 5XX

BACKSHELL KIT:
 520 = BACKSHELL WITH
 0.220 [5.6] GROMMET I.D.
 530 = BACKSHELL WITH
 0.330 [8.4] GROMMET I.D.

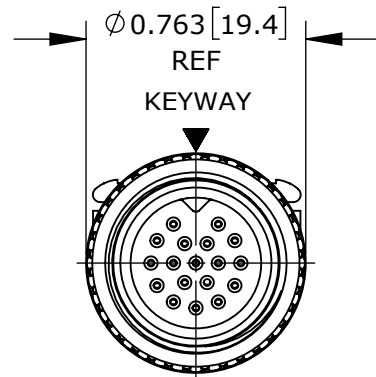
OF CONTACTS: 9 - 18

CONTACTS STYLE:
 0 = CRIMP
 2 = SOLDER

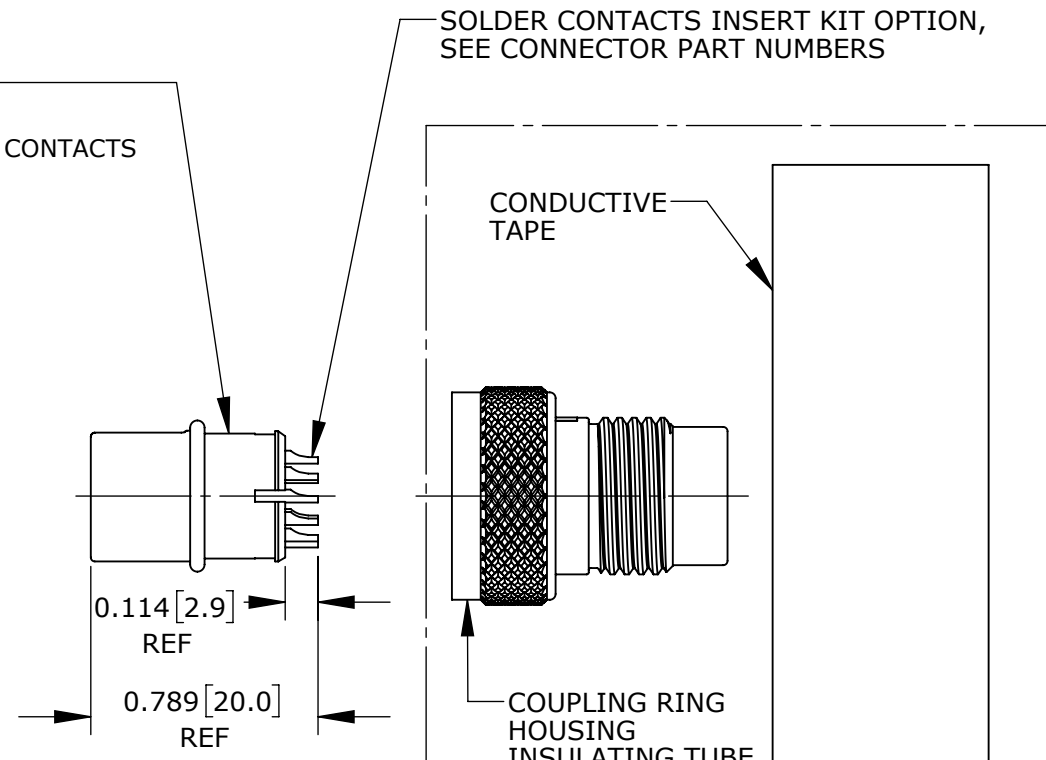
CUSTOMER PRINT

PART NUMBER: SF698X-XSG-5XX

PLUG INSERT KIT
 MAT'L: THERMOPLASTIC INSERT
 COPPER ALLOY, GOLD PLATED CONTACTS
 ELASTOMERIC SEAL O-RING



FACE VIEW
 SF6982-18SG-520 SHOWN

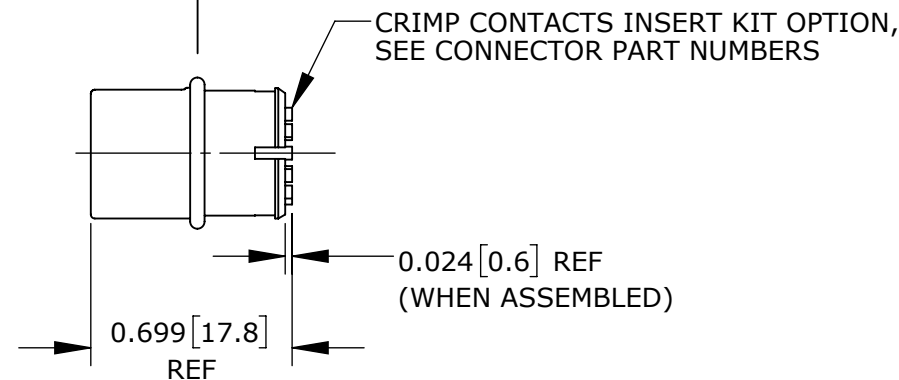


SOLDER CONTACTS INSERT KIT OPTION,
 SEE CONNECTOR PART NUMBERS

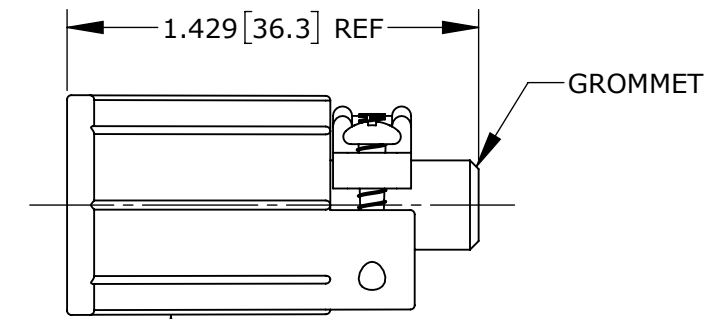
CONDUCTIVE TAPE

COUPLING RING
 HOUSING
 INSULATING TUBE

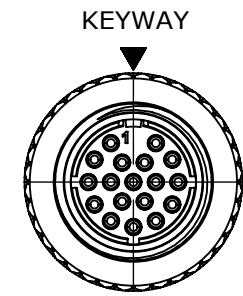
PLUG ASSEMBLY KIT
 MAT'L: COPPER ALLOY, NICKEL PLATED HOUSING & COUPLING RING,
 NICKEL/COPPER/POLYESTER FABRIC WITH CONDUCTIVE ADHESIVE TAPE,
 MYLAR INSULATING TUBE



CRIMP CONTACTS INSERT KIT OPTION,
 SEE CONNECTOR PART NUMBERS



BACKSHELL KIT
 MAT'L: THERMOPLASTIC SHELL & STRAP,
 ELASTOMERIC GROMMET,
 STAINLESS STEEL SCREWS



WIRING VIEW
 SF6982-18SG-520 SHOWN
 WITHOUT BACKSHELL

CUSTOMER APPROVAL
 THIS DOCUMENT CONTAINS CONFIDENTIAL INFORMATION PROPRIETARY TO CONXALL CORPORATION. ANY REPRODUCTION, DISCLOSURE, OR USE OF THIS DOCUMENT /INFORMATION IS EXPRESSLY PROHIBITED UNLESS AUTHORIZED IN WRITING BY CONXALL CORPORATION.
 APPROVED BY: _____
 DATE: _____

RoHS COMPLIANT

0A	PNK	2-8-18	DRAWING CREATED PER PDR17006	
REV.	INIT.	DATE	DESCRIPTION	
			ORIG. DRAWN BY: PNK	DATE: 2-8-18
ALL INFORMATION ILLUSTRATED IS THE PROPERTY OF CONXALL CORPORATION. UNAUTHORIZED DUPLICATION OR DISTRIBUTION OF THIS DOCUMENT IS PROHIBITED.			<p>601 E. WILDWOOD VILLA PARK, IL 60181</p>	
ALL UNITS ARE IN FEET, INCHES, FRACTION OF INCHES AND DECIMALS. UNLESS OTHERWISE SPECIFIED TOLERANCES: 3 PLACE DECIMALS ±.005 ANGLES ±1° FRACTIONS ±1/16				
APPROVED BY:			SCALE: NTS	SIZE: B
DATE:			SHEET: 1 OF 1	TITLE: CABLE-END CONNECTOR 9-18 #26 SOCKET CONTACTS SHIELDED MINI-CON-X STANDARD PRODUCT
FILE: SF698X-XSG-5XX_CD	DIRECTORY: SLW	PART NUMBER: SF698X-XSG-5XX	CUSTOMER:	REV: 0A

Mouser Electronics

Authorized Distributor

Click to View Pricing, Inventory, Delivery & Lifecycle Information:

Switchcraft:

[SF6980-12SG-520](#) [SF6980-15SG-520](#) [SF6980-15SG-530](#) [SF6980-18SG-520](#) [SF6982-18SG-530](#) [SF6980-12SG-530](#) [SF6980-18SG-530](#) [SF6982-12SG-520](#) [SF6982-12SG-530](#) [SF6982-15SG-520](#) [SF6982-15SG-530](#) [SF6982-18SG-520](#)