

EVB-USB7252

Table of Contents

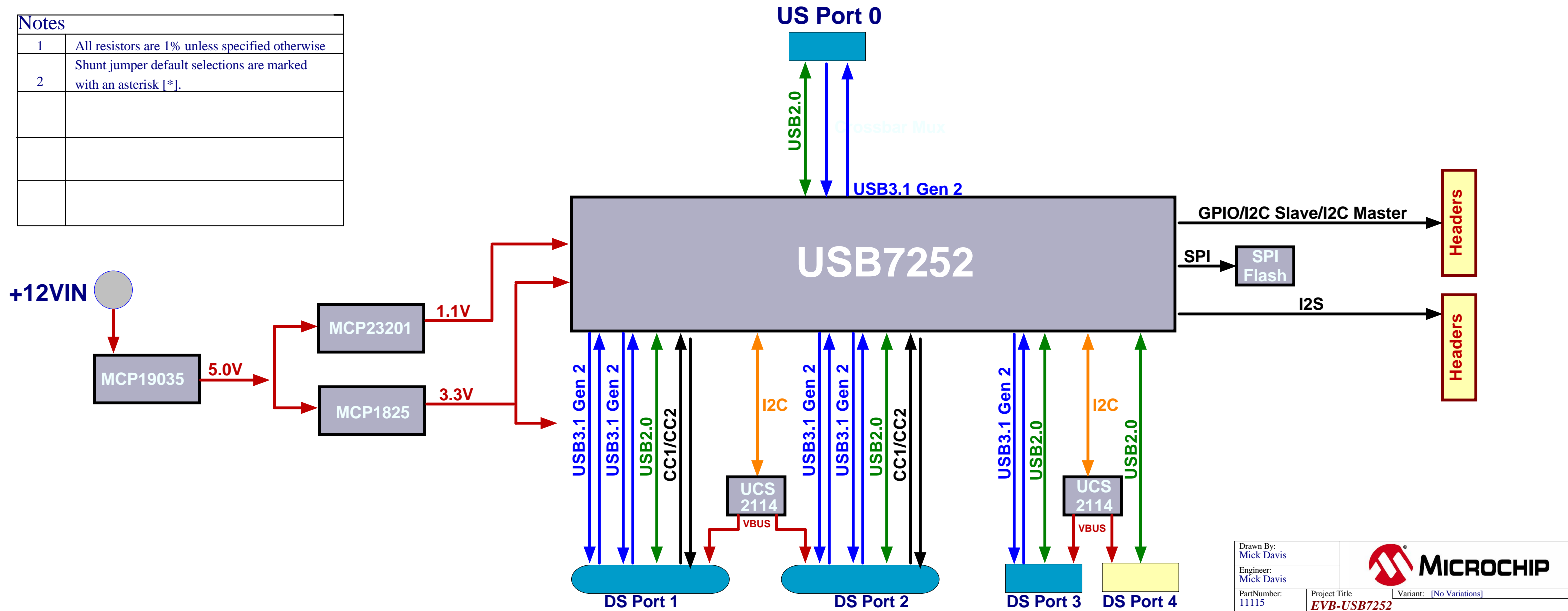
Sheet	Description
1	Table of Contents, Block Diagram
2	USB7252
3	USB Type-uB Upstream, SPI, I2S
4	USB (Type-C) Downstream Ports 1-2
5	USB (Type-A) Downstream Ports 3-4
6	Voltage Regulators

Revision History

Revision	Date	Revision Summary	Author
1.1	2/14/2019	Released to DevTools	Mick Davis

Notes

1	All resistors are 1% unless specified otherwise
2	Shunt jumper default selections are marked with an asterisk [*].



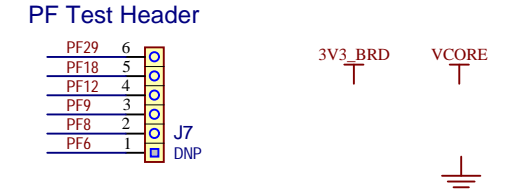
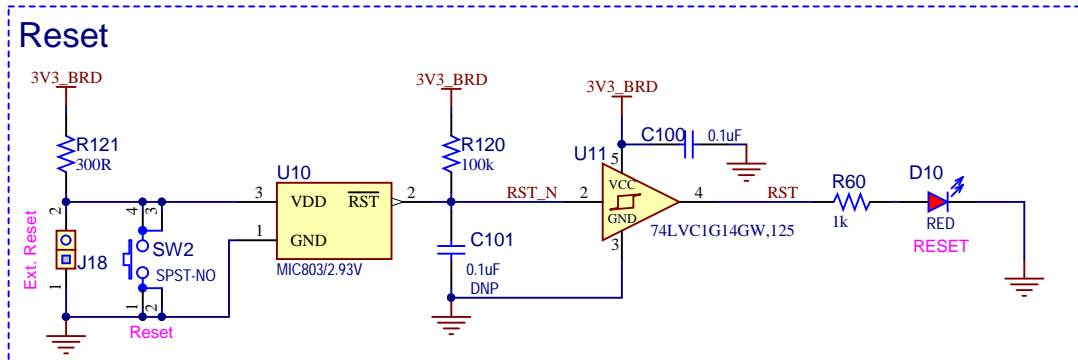
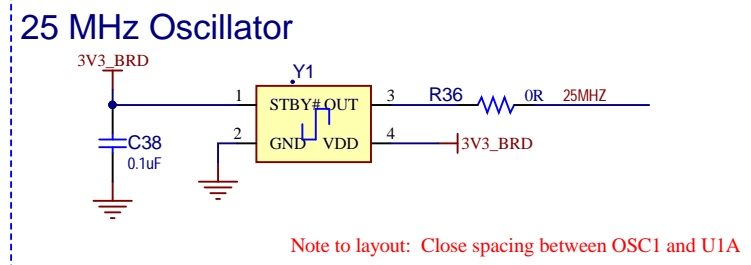
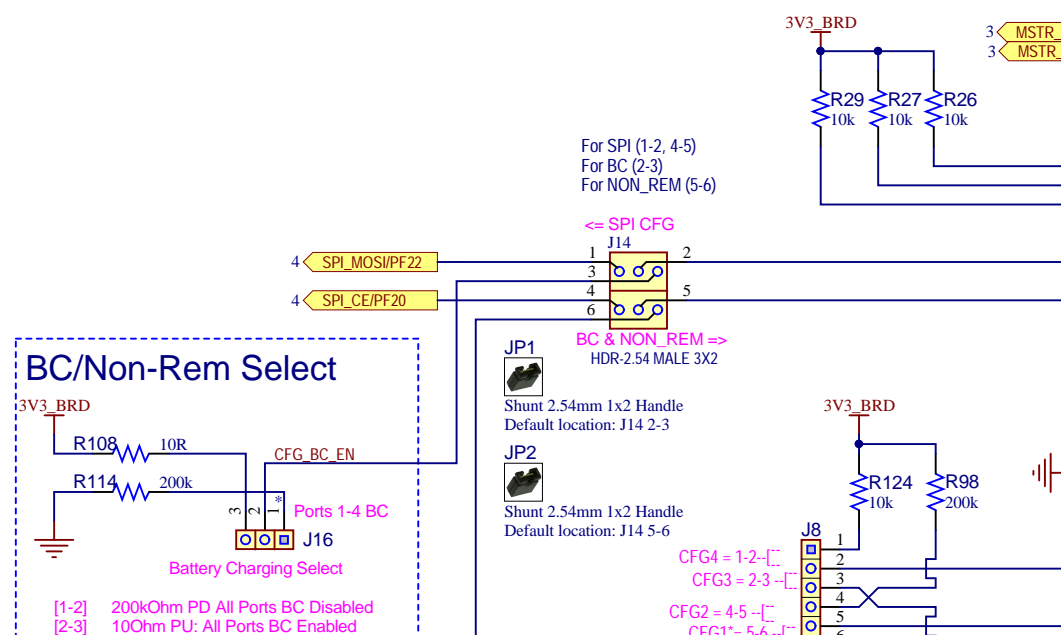
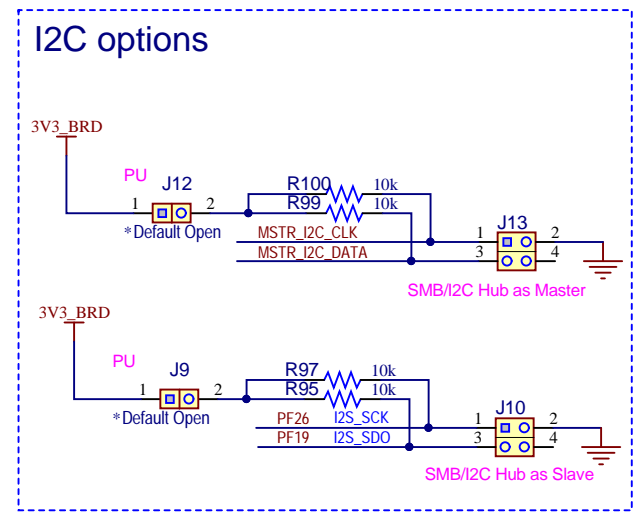
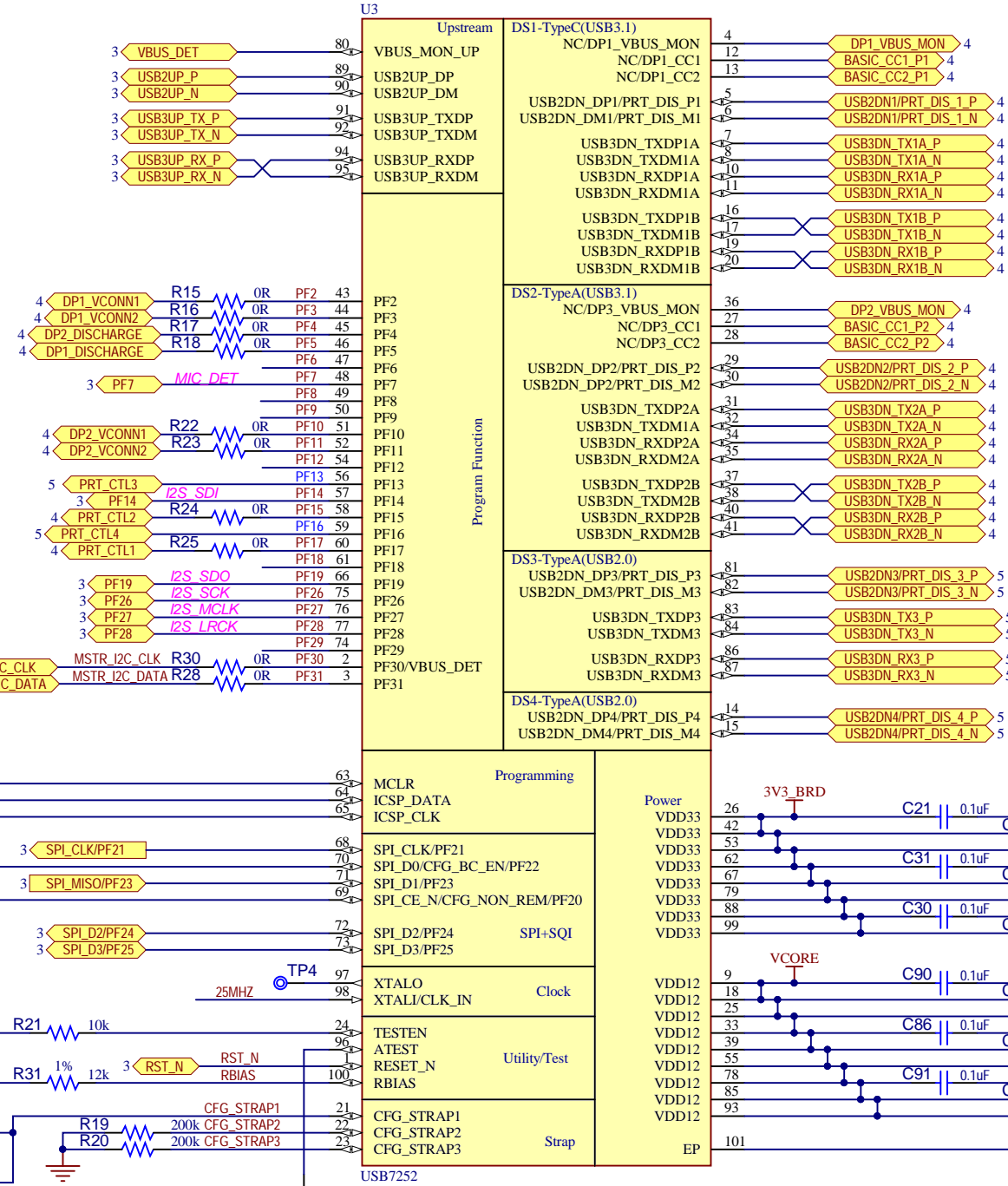
Drawn By: Mick Davis		
Engineer: Mick Davis		
PartNumber: 11115	Project Title EVB-USB7252	Variant: [No Variations]
Sheet Title Table of Contents and Block Diagram		
Size Tabloid	Sch #:03-11115 Revision: 1.1	Date: 3/2/2020 10:18:27 AM Sheet 1 of 6
File: 11115-1-TOC.SchDoc		Designed with Altium.com

USB7252

*Note: The polarity of USB Super Speed differential pairs may be swapped to facilitate simplified PCB layout. All USB3 PHYs have built in auto-polarity detection and correction. This does not apply to USB2 signals.

Default PF Functions

USB7252		USB7252	
PF2	DP1_VCONN1	PF17	PRT_CTL1
PF3	DP1_VCONN2	PF18	ALERT0
PF4	DP2_DISCHARGE	PF19	I2S_SDO
PF5	DP1_DISCHARGE	PF20	SPI_CE_N
PF6	See Datasheet	PF21	SPI_CLK
PF7	MIC_DET	PF22	SPI_D0
PF8	See Datasheet	PF23	SPI_D1
PF9	See Datasheet	PF24	SPI_D2
PF10	DP2_VCONN1	PF25	SPI_D3
PF11	DP2_VCONN2	PF26	I2S_SCLK
PF12	See Datasheet	PF27	I2S_MCLK
PF13	PRT_CTL3	PF28	I2S_LCLK
PF14	I2S_SDI	PF29	See Datasheet
PF15	PRT_CTL2	PF30	MSTR_I2C_CLK
PF16	PRT_CTL4	PF31	MSTR_I2C_DATA



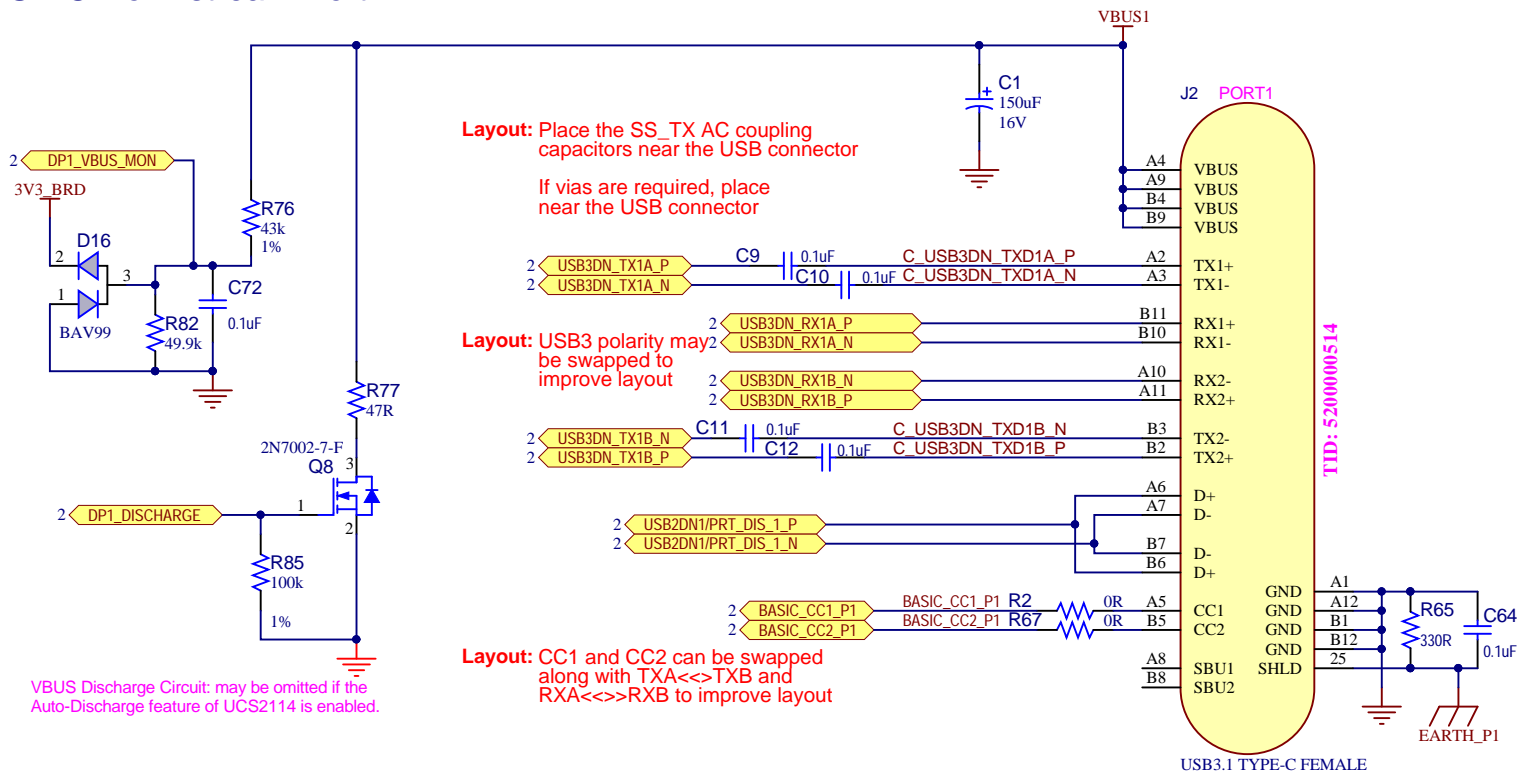
Drawn By: Mick Davis
 Engineer: Mick Davis
 PartNumber: 11115
 Project Title: EVB-USB7252
 Variant: [No Variations]
 Sheet Title: USB7252
 Size: Tabloid
 Sch #:03-11115
 Date: 3/2/2020 10:18:28 AM
 Revision: 1.1
 Sheet: 2 of 6
 File: 11115-2-USB7252.SchDoc

Designed with **Altium**
Altium.com

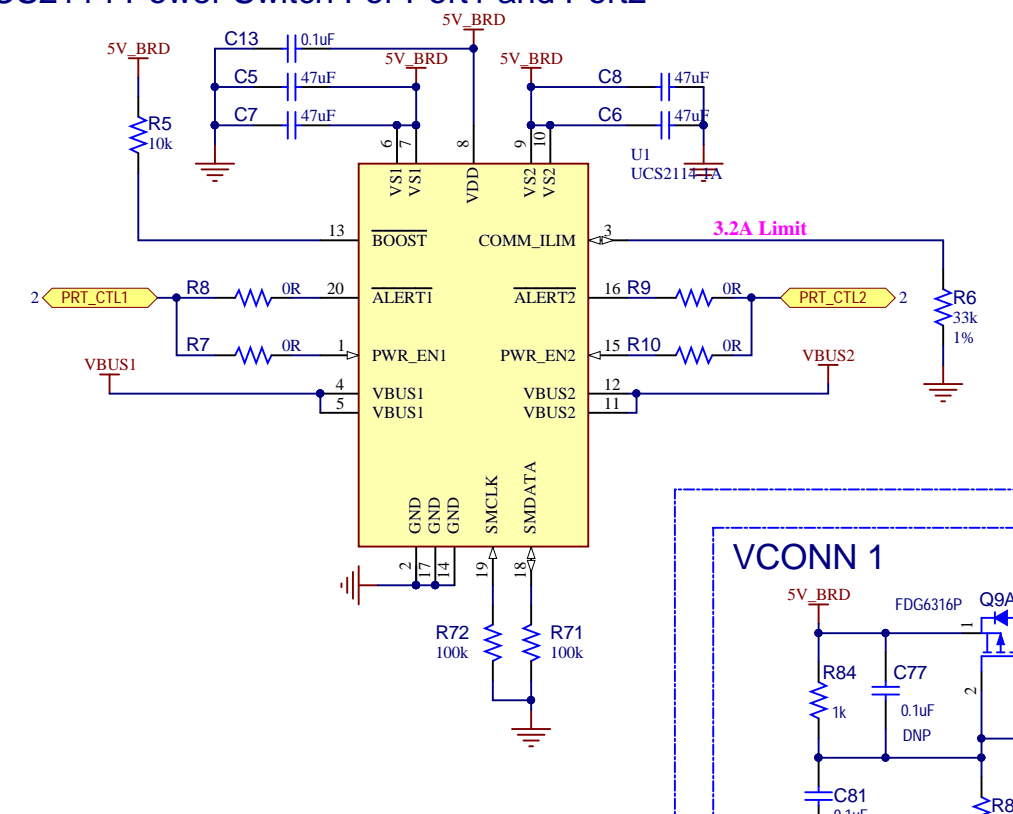
Note to layout: Close spacing between OSC1 and U1A

USB3.2 (Type-C) Downstream Ports 1 and 2

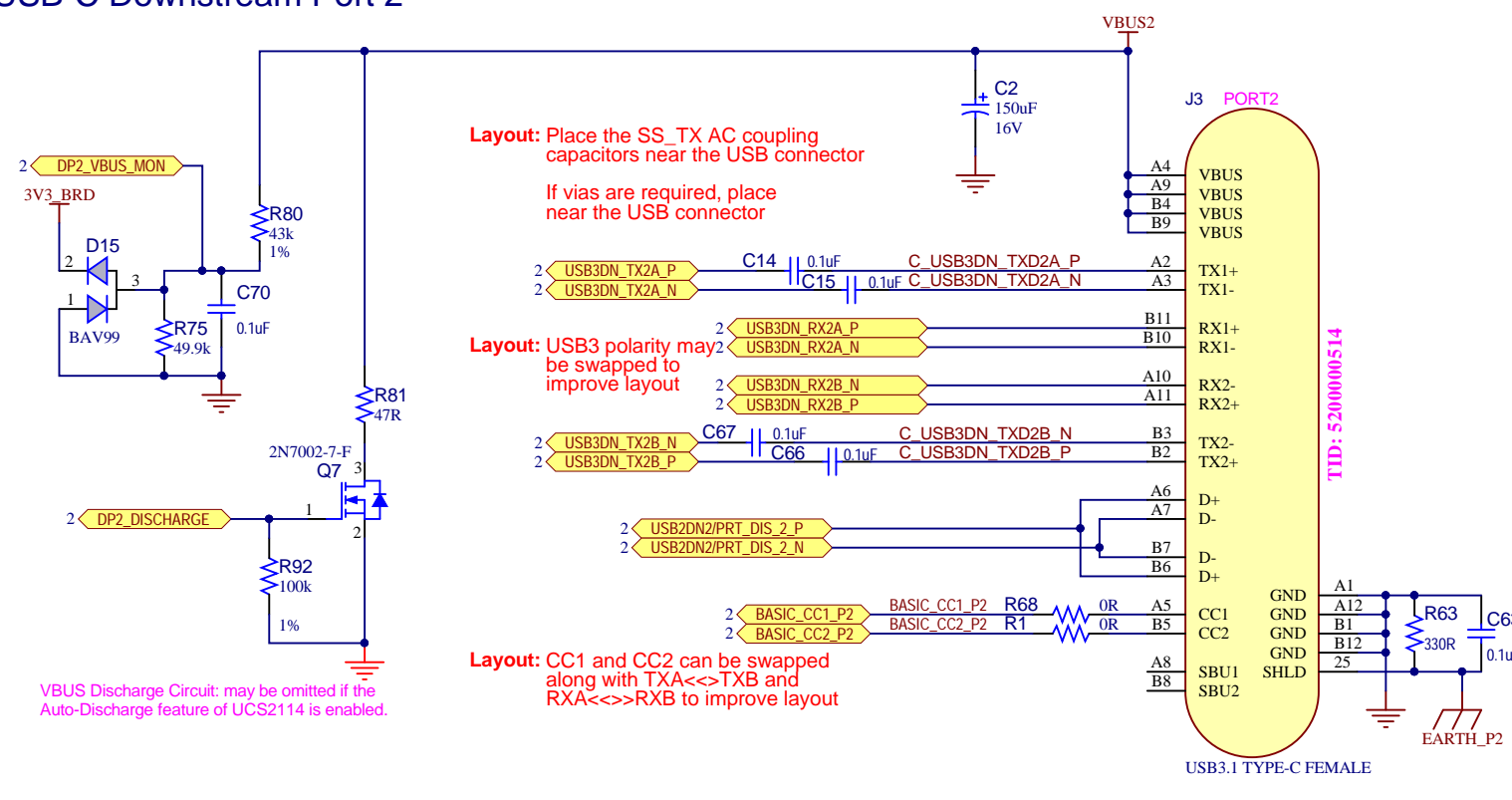
USB-C Downstream Port 1



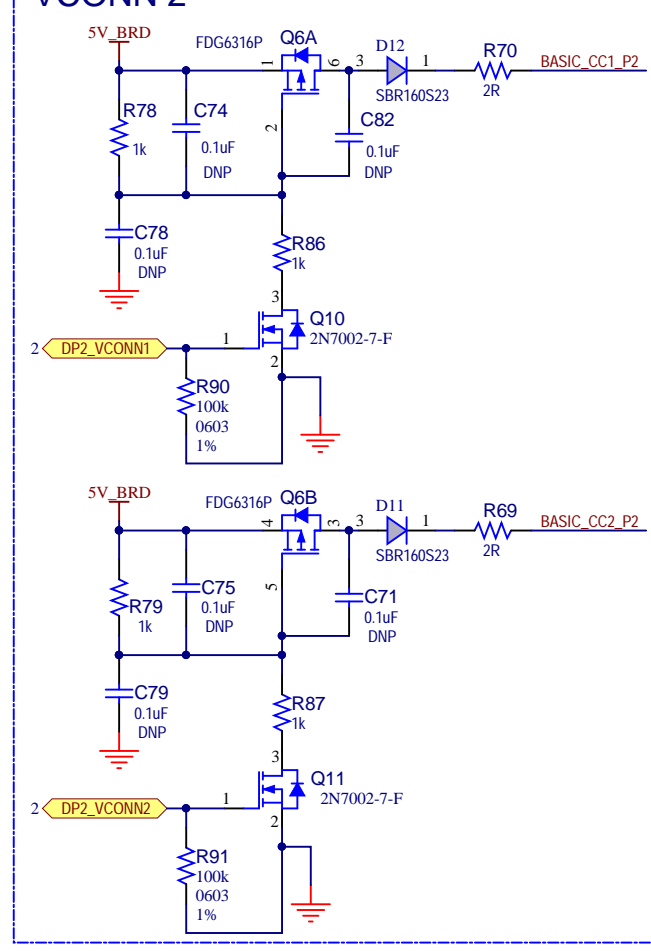
UCS2114 Power Switch For Port1 and Port2



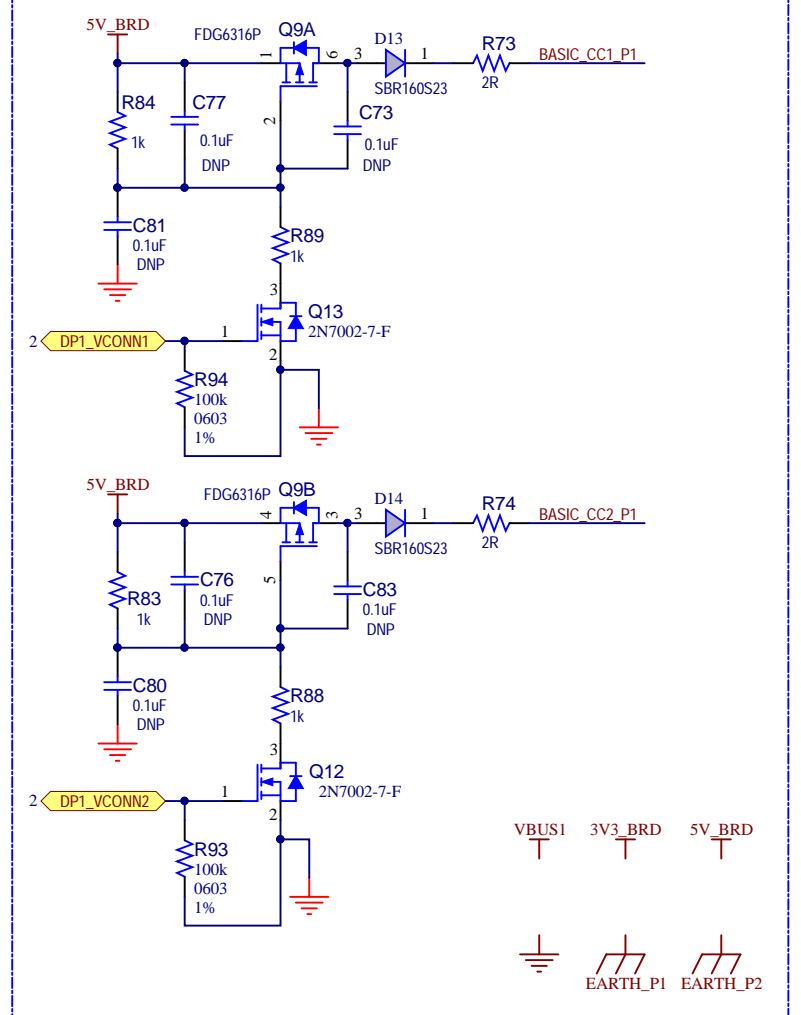
USB-C Downstream Port 2



VCONN 2



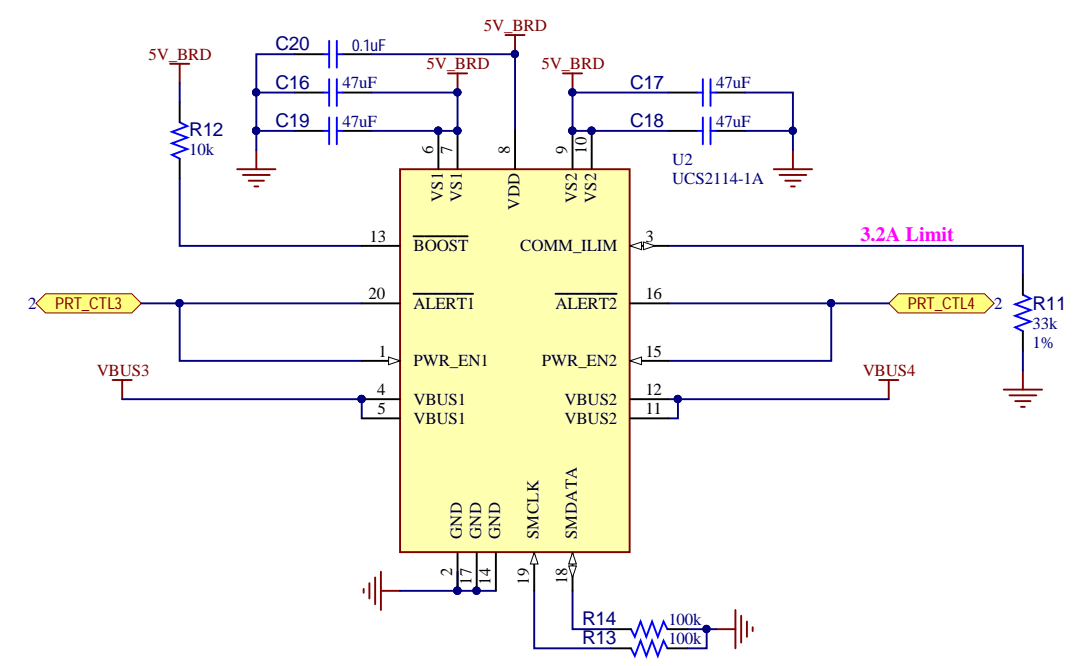
VCONN 1



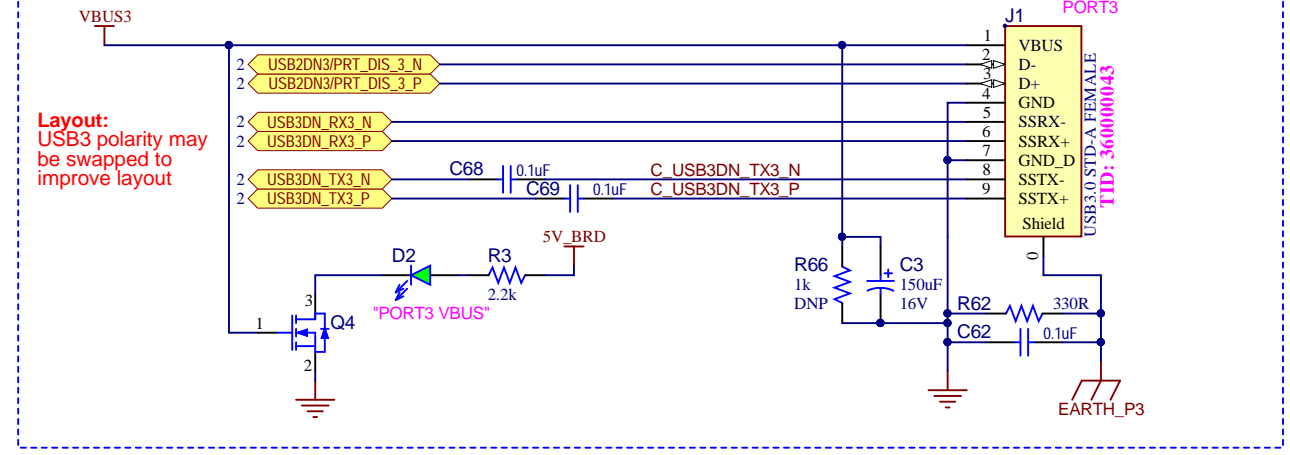
Drawn By: Mick Davis			
Engineer: Mick Davis			
PartNumber: 11115	Project Title: EVB-USB7252	Variant: [No Variations]	
Sheet Title: USB3.2 (Type-C) Downstream Ports 1 and 2			
Size: Tabloid	Sch #:03-11115	Date: 3/2/2020 10:18:29 AM	Designed with Altium
Revision: 1.1	Sheet 4 of 6	Altium.com	
File: 11115-4-USB-C Downstream 1-2.SchDoc			

USB (Type-A) Downstream Ports 3-4

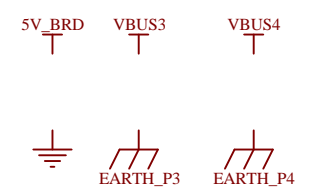
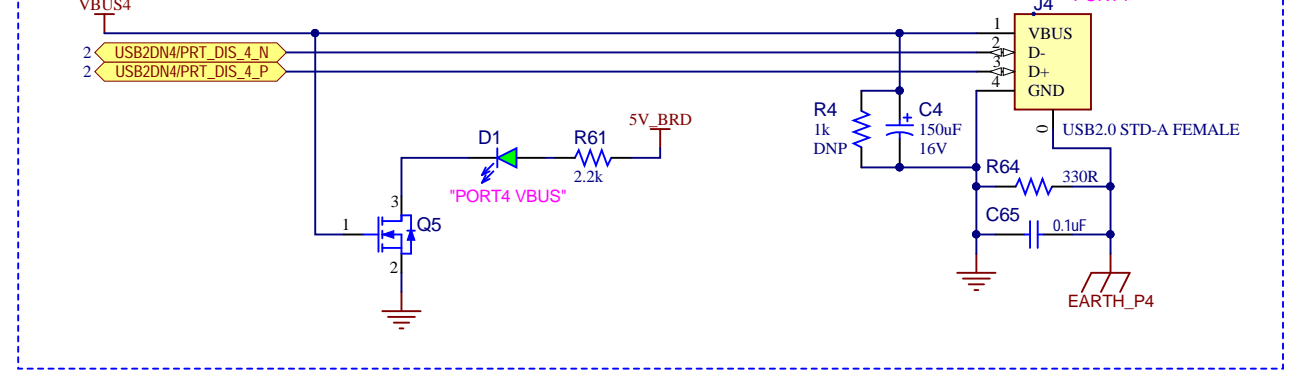
UCS2114 Power Switch For Port3 and Port4



USB3.1(Type-A) Downstream Port 3

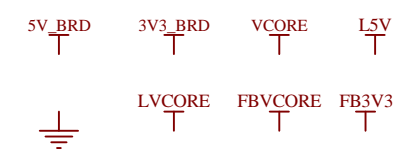
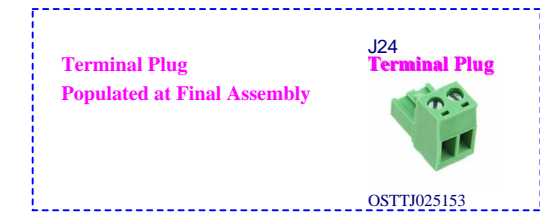
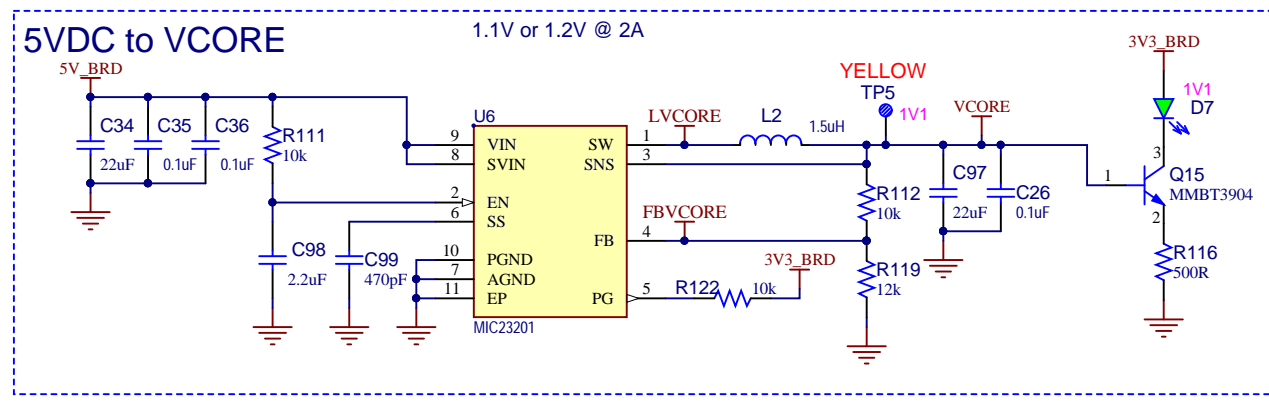
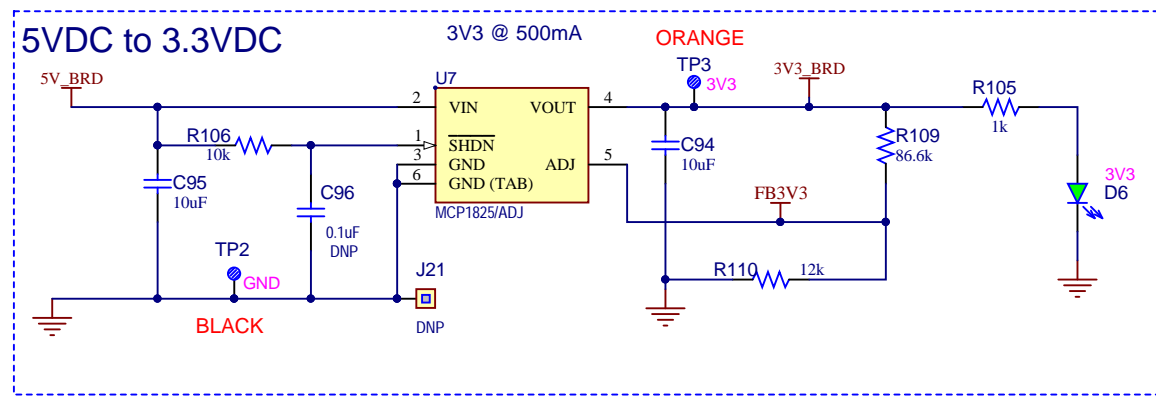
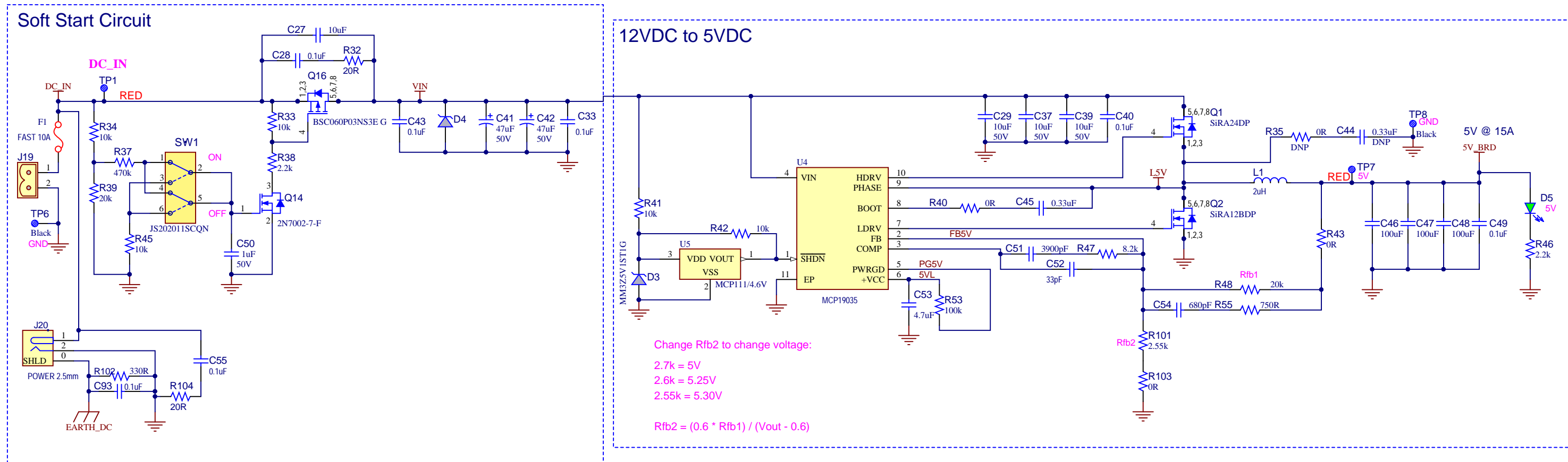


USB-A Downstream Port 4



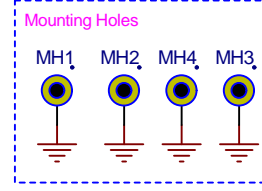
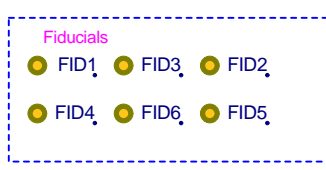
Drawn By: Mick Davis		
Engineer: Mick Davis		
PartNumber: 11115	Project Title EVB-USB7252	Variant: [No Variations]
Sheet Title USB (Type-A) Downstream Ports 3-4		
Size Tabloid	Sch #:03-11115 Revision: 1.1	Date: 3/2/2020 10:18:29 AM Sheet 5 of 6
File: 11115-5-USB-A Downstream 3-4.SchDoc		Altium Altium.com

Voltage Regulators, GP LEDs, LED Drivers



LABEL Need Help Small LABEL1

02- -R1



Drawn By: Mick Davis			
Engineer: Mick Davis			
PartNumber: 11115	Project Title: EVB-USB7252	Variant: [No Variations]	
Sheet Title: Voltage Regulators, GP LEDs, LED Drivers			
Size: Tabloid	Sch #:03-11115	Date: 3/2/2020 10:18:30 AM	Designed with Altium
Revision: 1.1	Sheet: 6 of 6	File: 11115-6-Voltage_Regulators.SchDoc	Altium.com

Mouser Electronics

Authorized Distributor

Click to View Pricing, Inventory, Delivery & Lifecycle Information:

[Microchip:](#)

[EV33X03A](#)