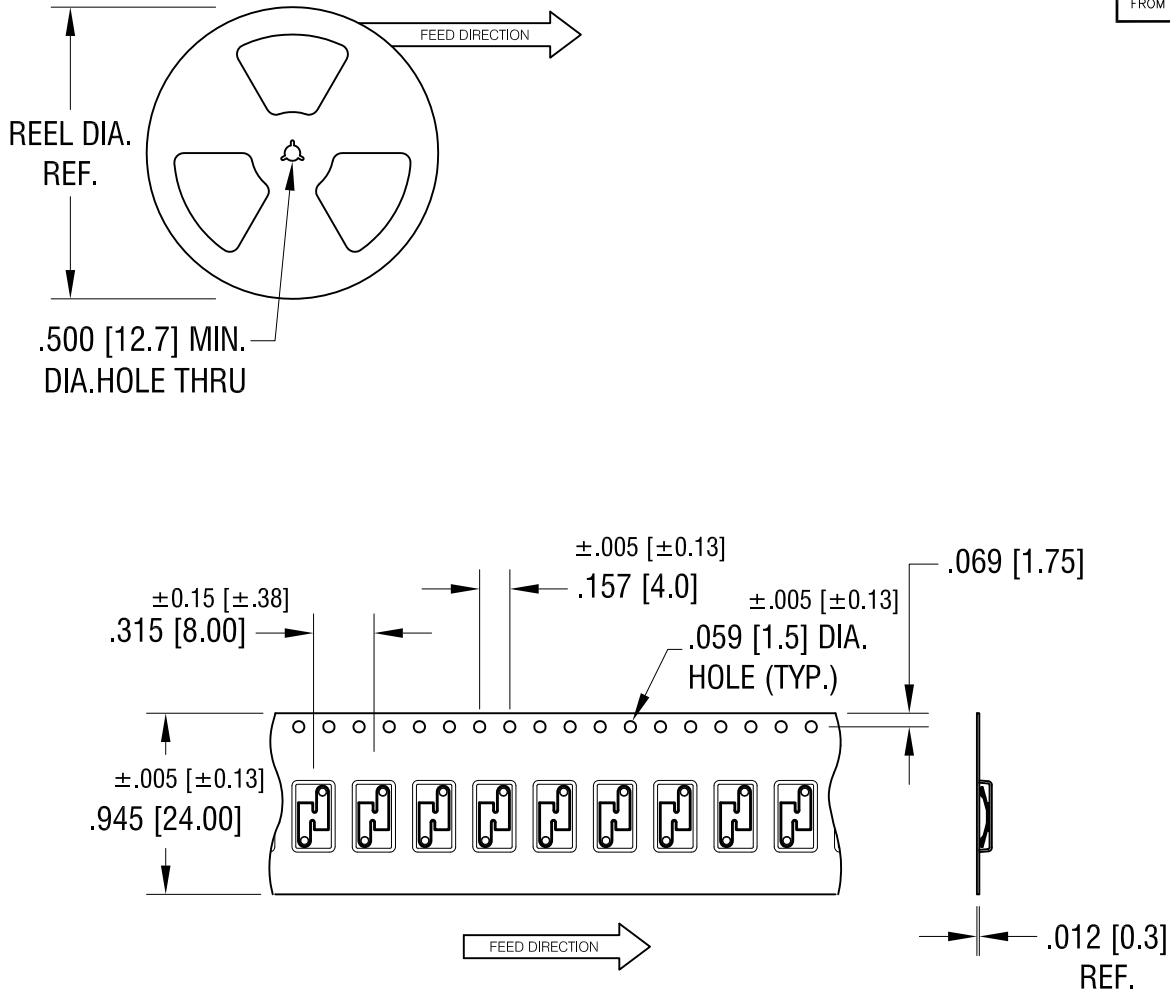


THIS DOCUMENT IS THE PROPERTY OF KEYSTONE ELECTRONICS CORP. AND SHALL NOT BE REPRODUCED, DISTRIBUTED OR USED AS A BASIS FOR MANUFACTURE WITHOUT PRIOR WRITTEN PERMISSION FROM KEYSTONE ELECTRONICS CORP.



NOTE:

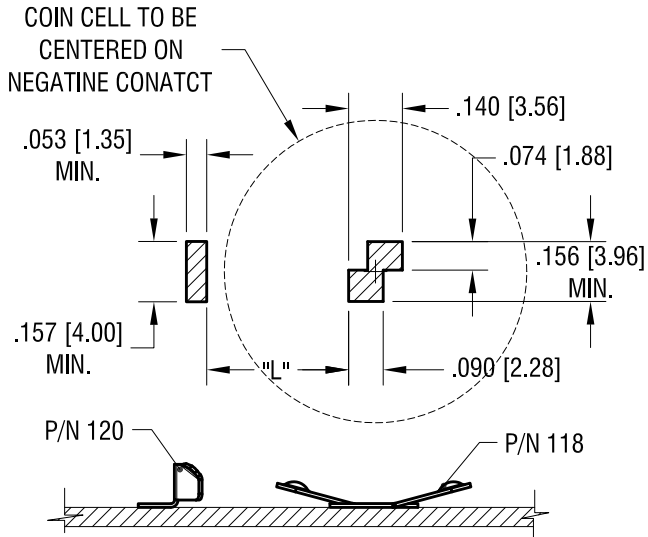
1. TAPE AND REEL SPECIFICATIONS:

TAPE: MAT'L - ALL CONDUCTIVE POLYSTYRENE CARRIER
 ANSI/EIA-481 STANDARD, 24 MM WIDE; 8 MM PITCH
 REEL: 13.0 [1330] DIA. 5000 PIECES PER REEL.

KEYSTONE ELECTRONICS CORP.			
www.keyelco.com • ASTORIA, N.Y. 11105-2017 • Tel (718) 956-8900			
PART NAME			
CONTACT ON TAPE AND REEL			
MATERIAL			
AS NOTED			
FINISH		DRN BY	DATE
AS NOTED		NT	6.23.15
		APP'D	SCALE
		LN	N/A
TOLERANCES	INCH [MM]	CODE	DWG NO.
DECIMAL	± .010 [± 0.25]	C	118TR
ANGULAR	± 1°		
UNLESS OTHERWISE SPECIFIED			

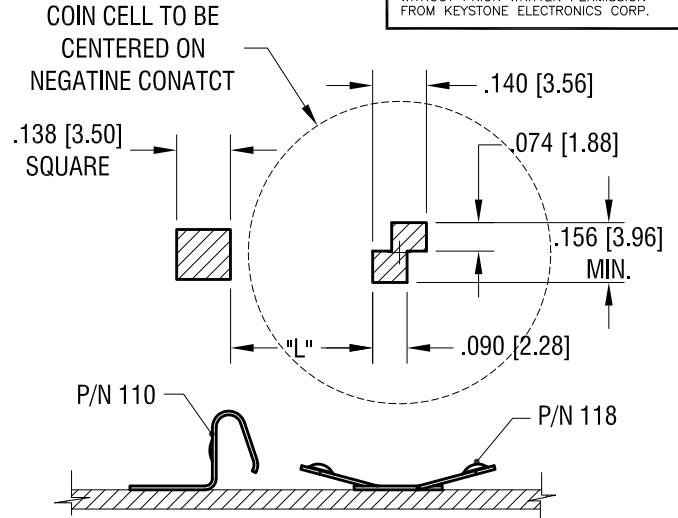
DATE	DESCRIPTION	REV.	
------	-------------	------	--

THIS DOCUMENT IS THE PROPERTY OF KEYSTONE ELECTRONICS CORP. AND SHALL NOT BE REPRODUCED, DISTRIBUTED OR USED AS A BASIS FOR MANUFACTURE WITHOUT PRIOR WRITTEN PERMISSION FROM KEYSTONE ELECTRONICS CORP.



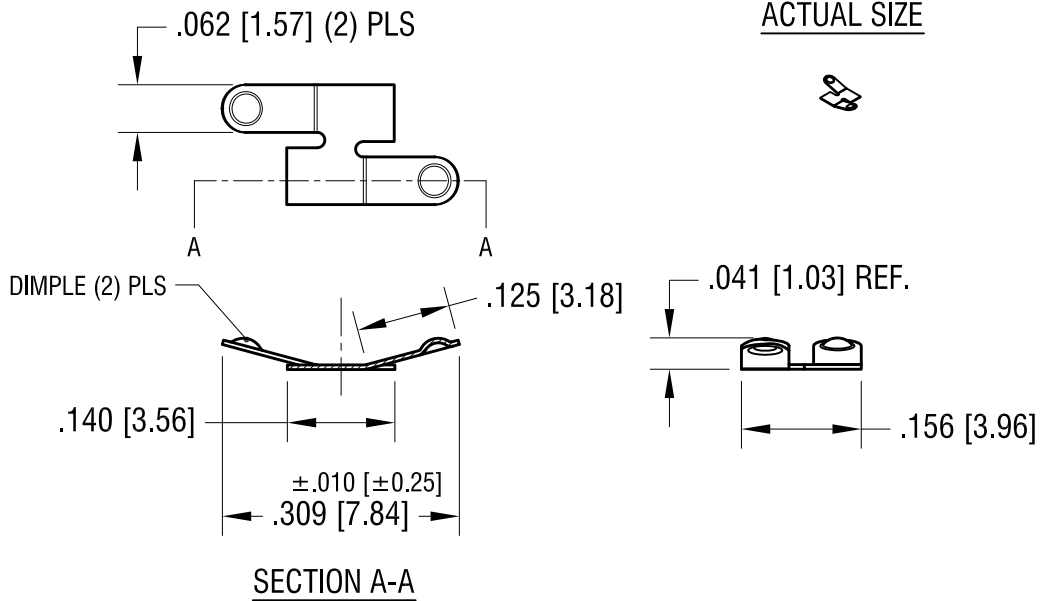
MTG LAY OUT WHEN USE WITH P/N 120

BATTERY DIA.	L
12mm	.178 [4.5]
16mm	.257 [6.5]



MTG LAY OUT WHEN USE WITH P/N 110

BATTERY DIA.	L
12mm	.213 [5.4]
16mm	.291 [7.4]



DATE	DESCRIPTION	REV.
9.21.15	CHANGE AS PER ECN 15-105	A

KEYSTONE ELECTRONICS CORP.			
www.keyelco.com • ASTORIA, N.Y. 11105-2017 • Tel (718) 956-8900			
PART NAME NEGATIVE BATTERY CONTACT			
MATERIAL .006 [0.15] TH'K STAINLESS STEEL			
FINISH GOLD PLATE		DRN BY NT	DATE 6.23.15
		APP'D RH	SCALE 4X
TOLERANCES DECIMAL ANGULAR ± 1° UNLESS OTHERWISE SPECIFIED	INCH [MM] ± .005 [± 0.13]	CODE C	DWG NO. 118

Mouser Electronics

Authorized Distributor

Click to View Pricing, Inventory, Delivery & Lifecycle Information:

[Keystone Electronics:](#)

[118TR](#)