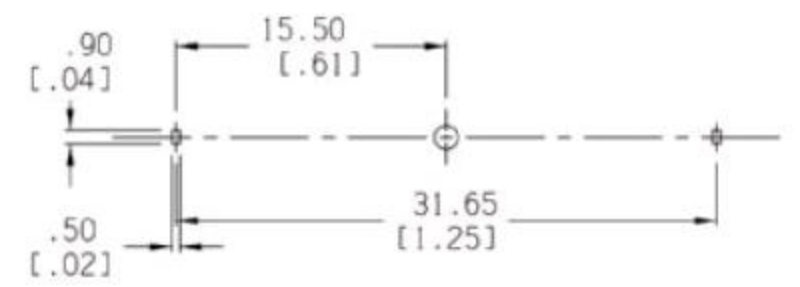
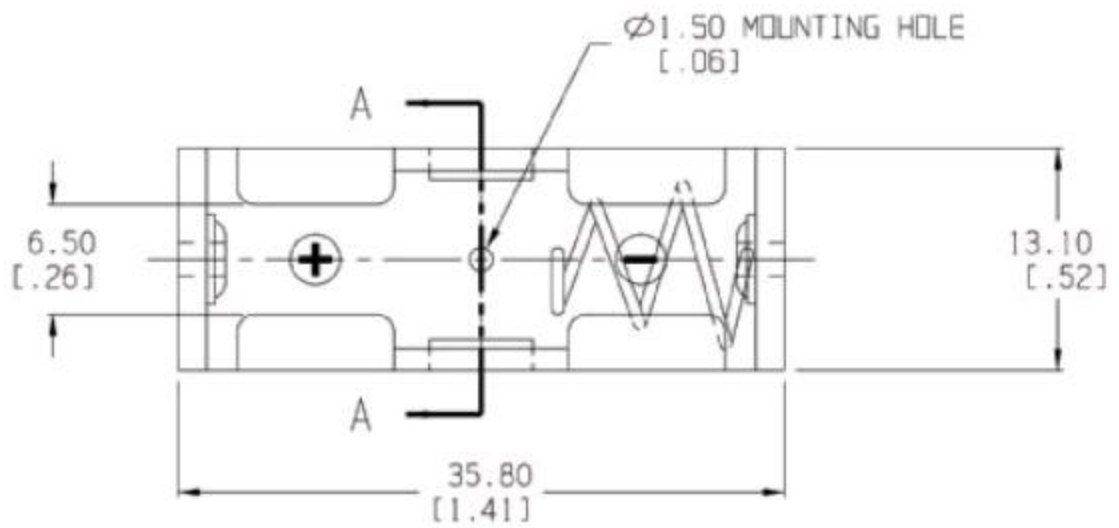
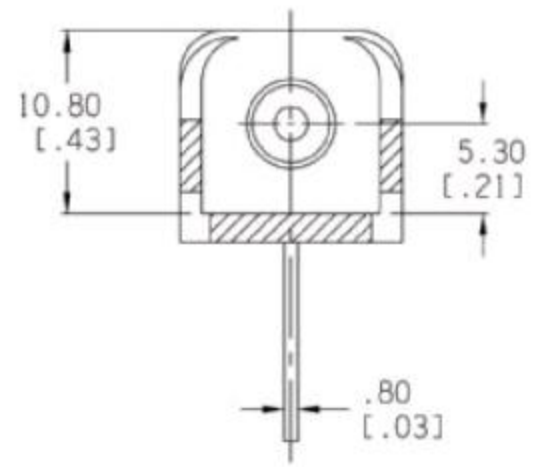
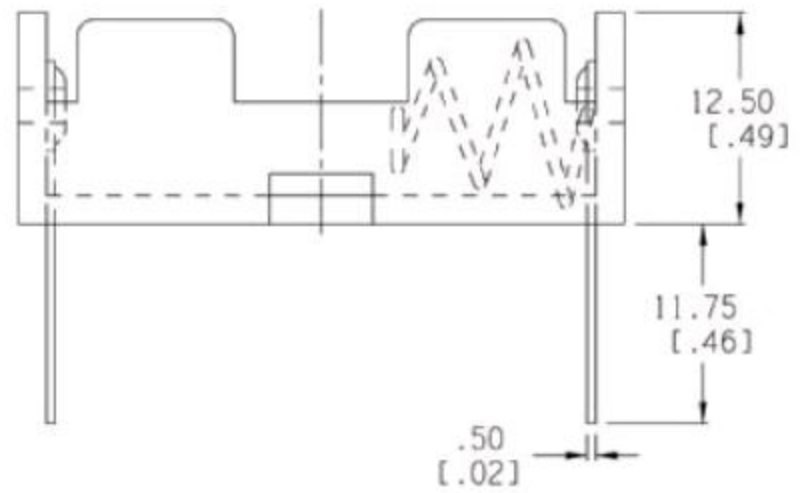


Date	SYM	REVISION RECORD	AUTH	DR	CK
10/22/05	A	ADDED 'ROHS COMPLIANT'	T.B.	B.S.	
3/11/06	B	UPDATED MATERIAL SPEC.	T.B.	B.S.	
5/06/06	C	ADDED CONTACT RESI. INFO.	T.B.	B.S.	



PCB LAYOUT



NOTES:

MATERIAL:

HOUSING: POLYPROPYLENE
 FLAMMABILITY RATING -UL94 HB, UL FILE NO. E216959
 TEMPERATURE RANGE: -10°C to +100°C
 SPRING: STEEL, ELASTIC, NICKLE PLATED
 EYELETS: BRASS, NICKLE PLATED
 POWER CONTACTS: STEEL, NICKLE PLATED
 CONTACT RESISTANCE: UNDER 50m ohms FOR +/- CONTACTS PER EIA-540J000
 ROHS COMPLIANT

Decimal ±.5 (.020)		Scale	Drawn By B.S. Approved By T.B.
Fractional ± .8 (.030)	Title 23A BATTERY HOLDER WITH PC PINS		
Angular ± 3°	Date 5/06/06	Drawing Number BH23APC	