

Rocker Switch



Single Pole

PR Series

Features

- Low-profile, small design
- RoHS compliant
- Minimum 50,000 operations mechanical life

Standard Parts¹

North America and Europe

PRK22J5BBBNN

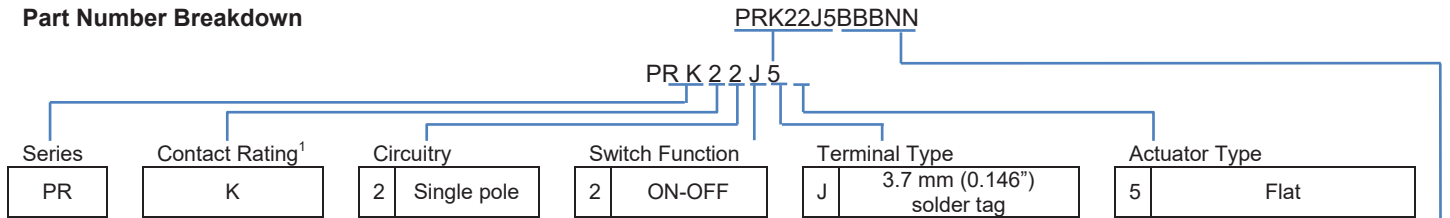
PRK22J5DBBNN

Europe

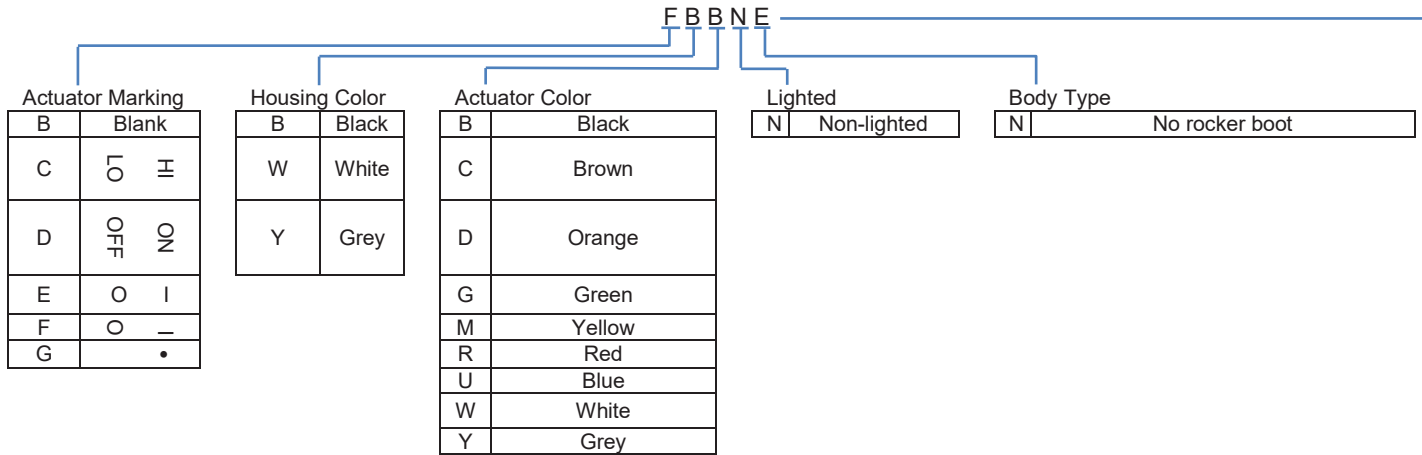
PRK22J5EBBNN

¹The part number configuration matrix below provides details to the part numbers above. For configurable part numbers that are not listed above, contact the factory or your distributor.

Part Number Breakdown



¹See Electrical Specifications section



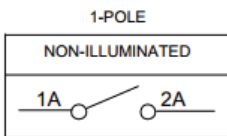
Electrical Specifications

Inrush Rating	N/A		
Dielectric Strength	1000 VAC for 1 minute		
Insulation Resistance	100 MΩ min at 500 VDC		
Initial Contact Resistance	0.020 Ω max		
Switch Function:	EN61058-1 Rating:	UL General Purpose 1054:	UL HP Rating:
2	3 A 250 VAC ~μ T100/55	6 A 125 VAC / 3 A 250 VAC	-
Electrical Life at Rated Load	VDE	UL	
Minimum Operations	10,000	6,000	
UL File No: E23301			

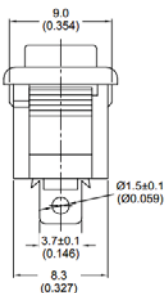
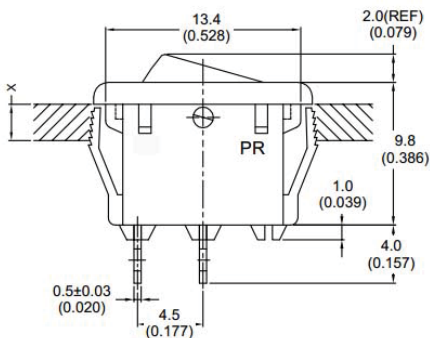
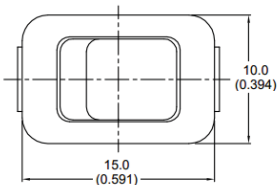
Material and Environmental Specifications

Actuator	PBT UL94 V-0 Rated
Base	PA66 UL94 V-0 Rated
Spring	Piano Wire
Contacts	Silver Alloy
Movable Arm	Silver-Plated Copper Alloy
Terminals	Silver-Plated Copper Alloy
Operating Temperature Range	0 °C to +65 °C (32 °F to +149 °F)

Circuitry and Switch Functions



Dimensions mm (inches)



Recommended Panel Cut-Out Dimensions

Panel thickness	X Dimension	Y dimension
0.75 to 1.25 (0.30 to 0.049)	13.6 +0/-0.1 (0.535)	9.2 (0.362)
1.25 to 2.00 (0.049 to 0.079)	13.7 +0/-0.1 (0.540)	9.2 (0.362)
2.00 to 2.50 (0.079 to 0.098)	13.7 +0/-0.1 (0.543)	9.2 (0.362)

