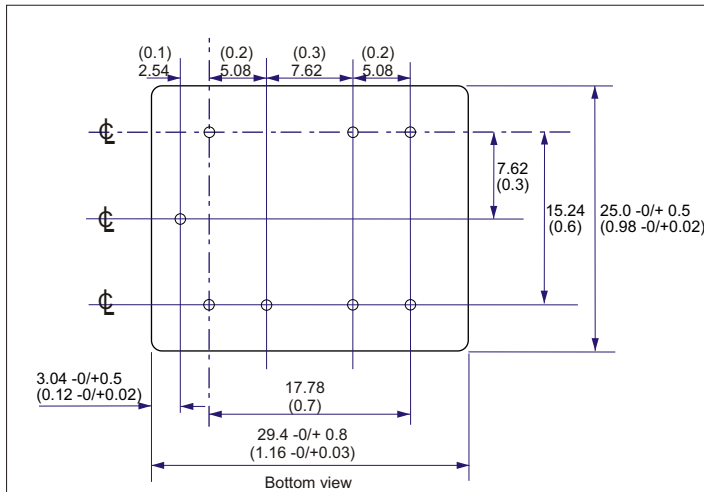
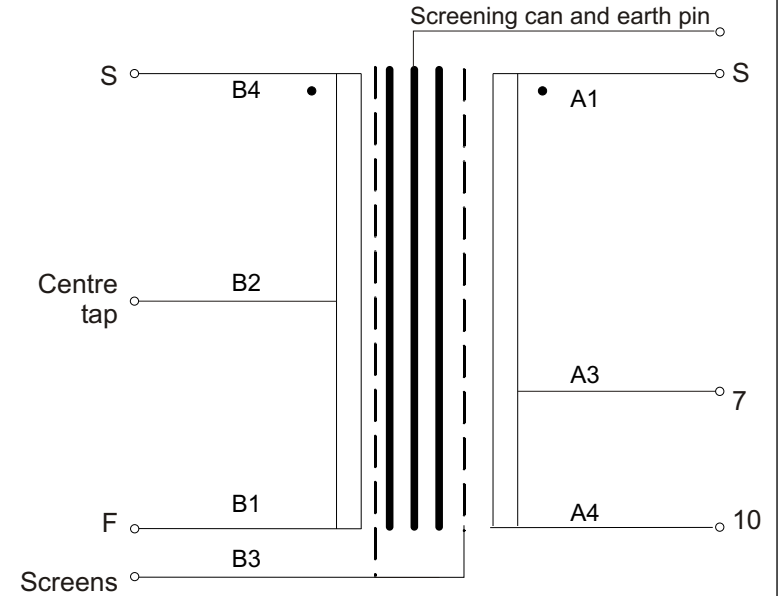
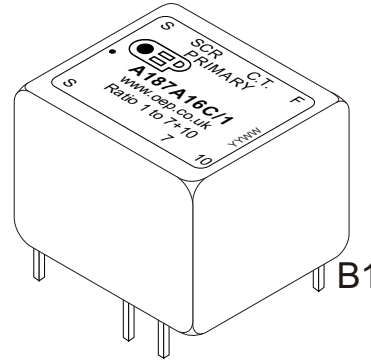


Enclosure: Mu-metal screening can.



Tolerance on all dimensions in millimetres: +/- 0.1mm unless stated otherwise.
Inches shown in brackets.
Tolerance on dimensions in inches: +/- 0.005" unless stated otherwise.
Pin diameter 0.7mm (0.0276)

Application:

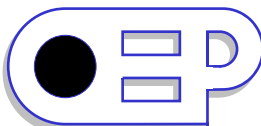
Matching low impedance moving coil phono cartridges to transistor or valve pre-amps

Specification:

- Turns ratio: 1C.T. to 7+10
- Primary impedance range: 30 - 100
- DC resistance (+/- 15%)
- Primary (total) : 19
- Secondary total: 647
- Inductance measured at 1kHz, 0.1V:
- Primary: 640mH nominal
- Primary leakage inductance (@ 1kHz, 0.1V): 430uH (typical)
- Interwinding capacitance (@ 20kHz, 0.1V): 35pF (screens earthed)
- Frequency response: 10Hz - 30kHz +/- 0.5dB
- Maximum input voltage: 500uV

Core selected for low harmonic distortion
Multi-layered winding for improved coupling / reduced leakage inductance

Transformer shielded with mu-metal can.
N.B. Do not pass DC through windings.



Unit 5, Oxonian Park, Langford Locks,
Kidlington, Oxfordshire. OX5 1FP
Tel: (01865) 855085 Fax: (01865) 855075
Website: www.oep.co.uk

DESCRIPTION	ISSUE	DATE	DRAWN	CHECKED	DRAWING NUMBER
1C.T. to 7+10 moving coil phono cartridge step up transformer (PCB mounting)	1	05/02/13	CS		A187A16C/1
	2	11/02/15	CS		
	3	13/02/15	CS		
Scale: nts	All dimensions in mm unless stated otherwise				