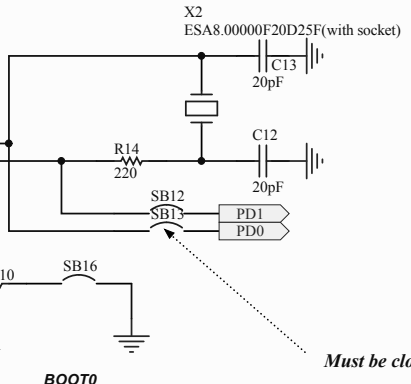
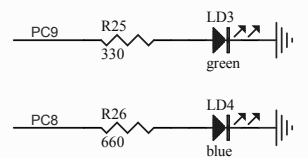
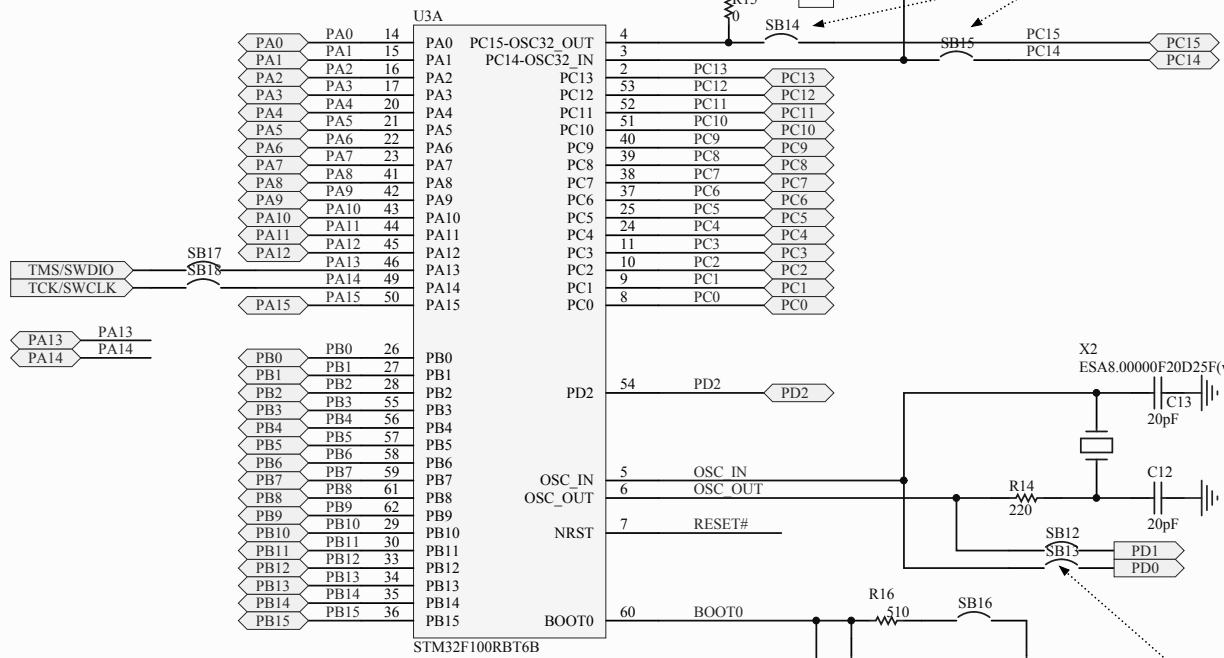
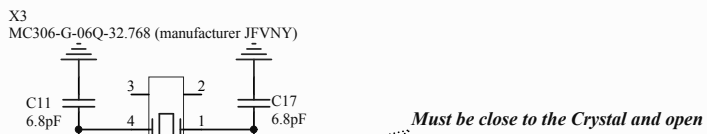
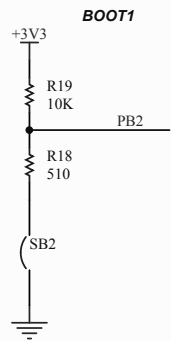


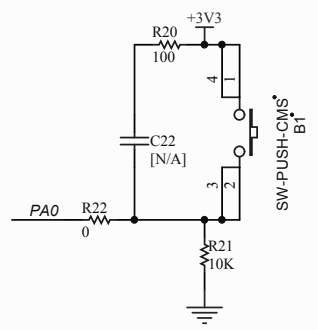
STMicroelectronics

Title: **STM32-DISCOVERY**

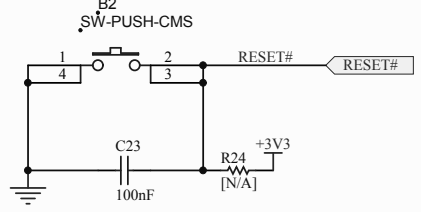
Number: **MB913** | Rev: C.2(PCB.SCH) | Date: 7/15/2010 | Sheet **1** of **4**



USER & WAKE-UP Button



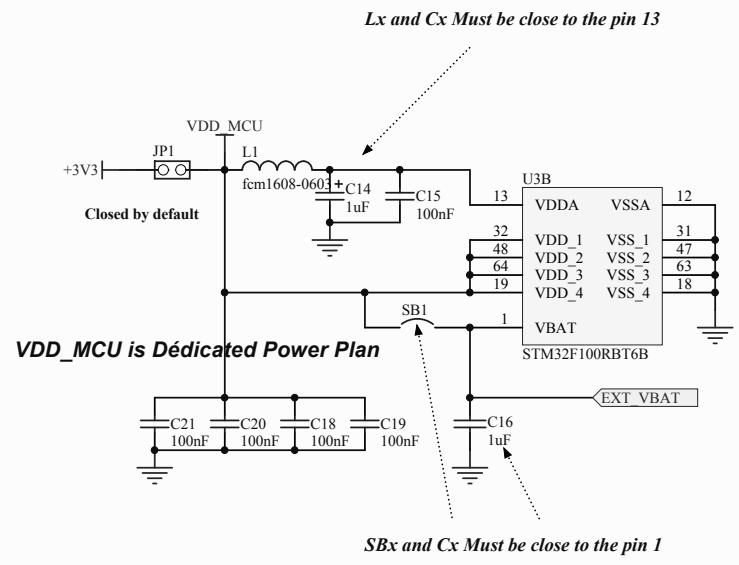
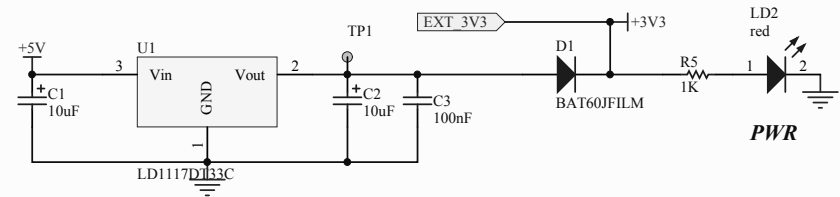
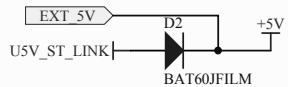
RESET Button

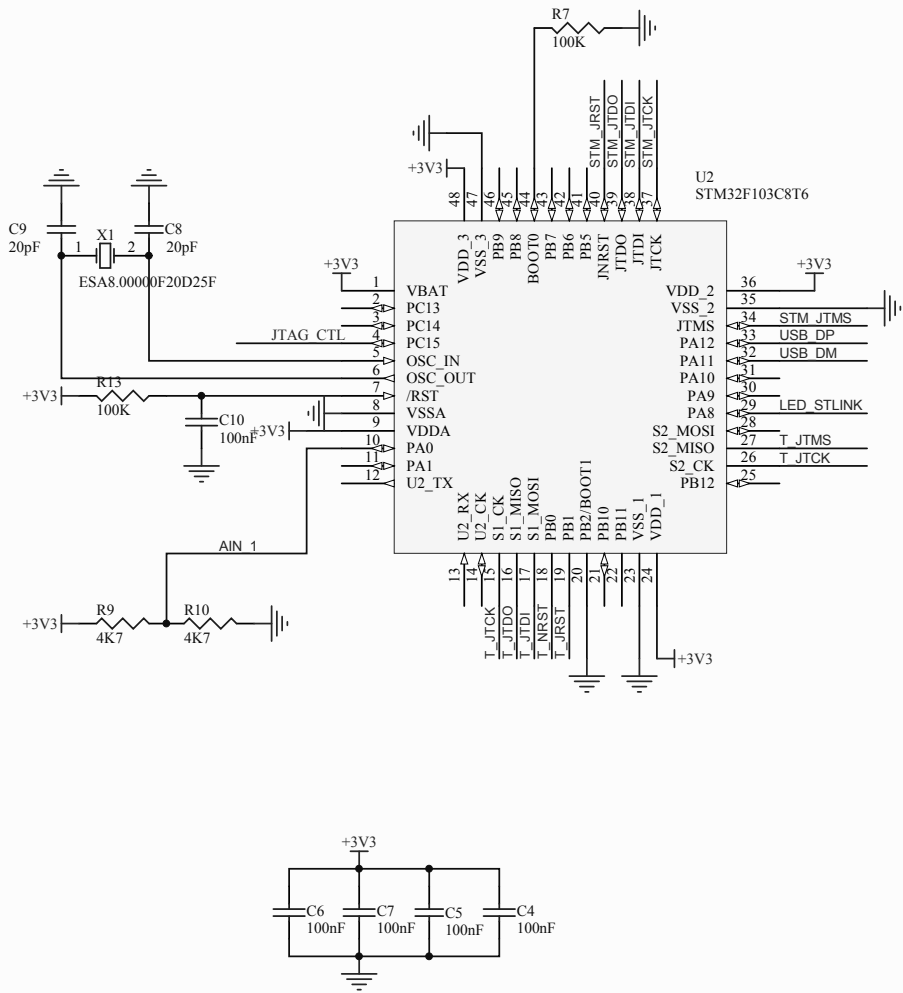


STMicroelectronics

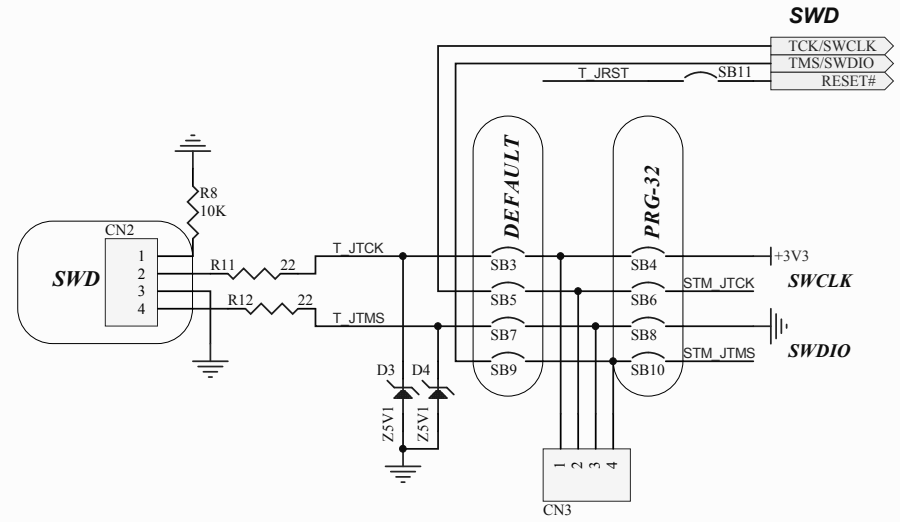
Title: **STM32-DISCOVERY STM32 Value Line**

Number: **MB913** | Rev: C.2(PCB.SCH) | Date: 7/15/2010 | Sheet 2 of 4

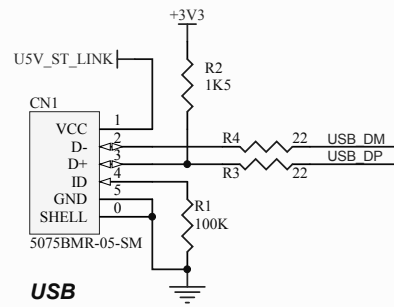




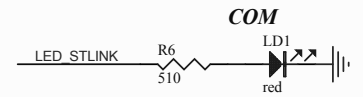
MCU



Jumpers ON --> DISCOVERY Selected
 Jumpers OFF --> ST-LINK Selected



USB



COM

STMicroelectronics

Title: **STM32-DISCOVERY ST_LINK (SWD only)**

Number: **MB913** | Rev: C.2(PCB.SCH) | Date: 7/15/2010 | Sheet **4** of **4**