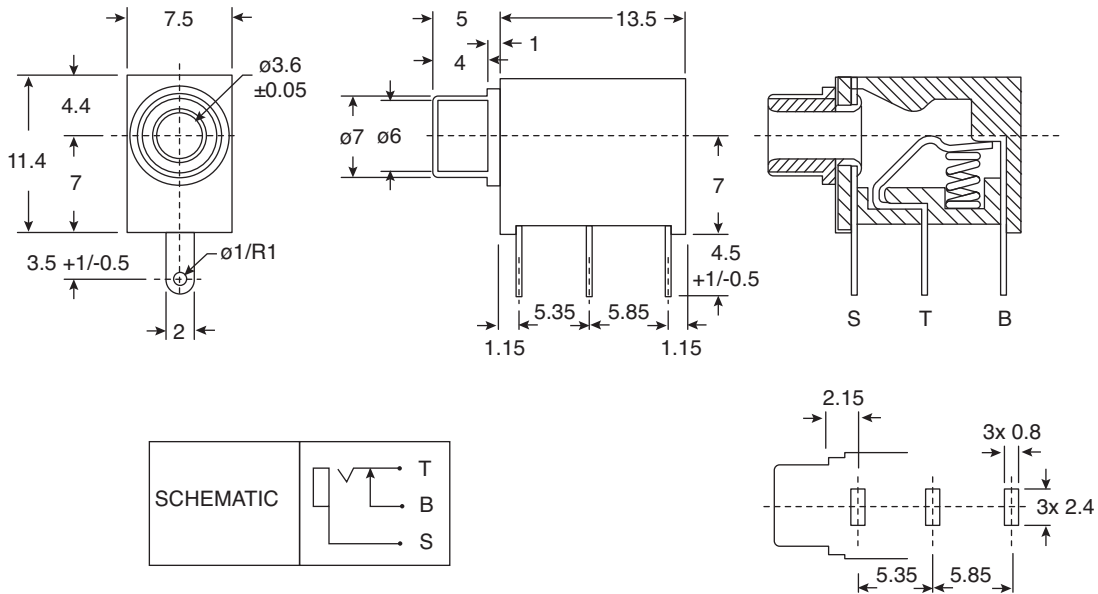


Mono Phone Jack 3.5mm



161-352N-EX

Mono Phone Jack 3.5mm



Dimensions: mm.

ELECTRICAL SPECIFICATIONS	
Contact Resistance:	20m Ω max.
Insulation Resistance:	100M Ω @ DC 250V
Dielectric Withstand Voltage:	AC 250V for one min.
Life Cycle:	10,000 cycles min.
RoHS Compliant by exemption	

Date Last Revised: 10-3-08

Available from Mouser Electronics
1-800-346-6873 / www.mouser.com

KC-301284

161-352N-EX

Mouser Electronics

Authorized Distributor

Click to View Pricing, Inventory, Delivery & Lifecycle Information:

[Kobiconn:](#)

[161-352N-EX](#)