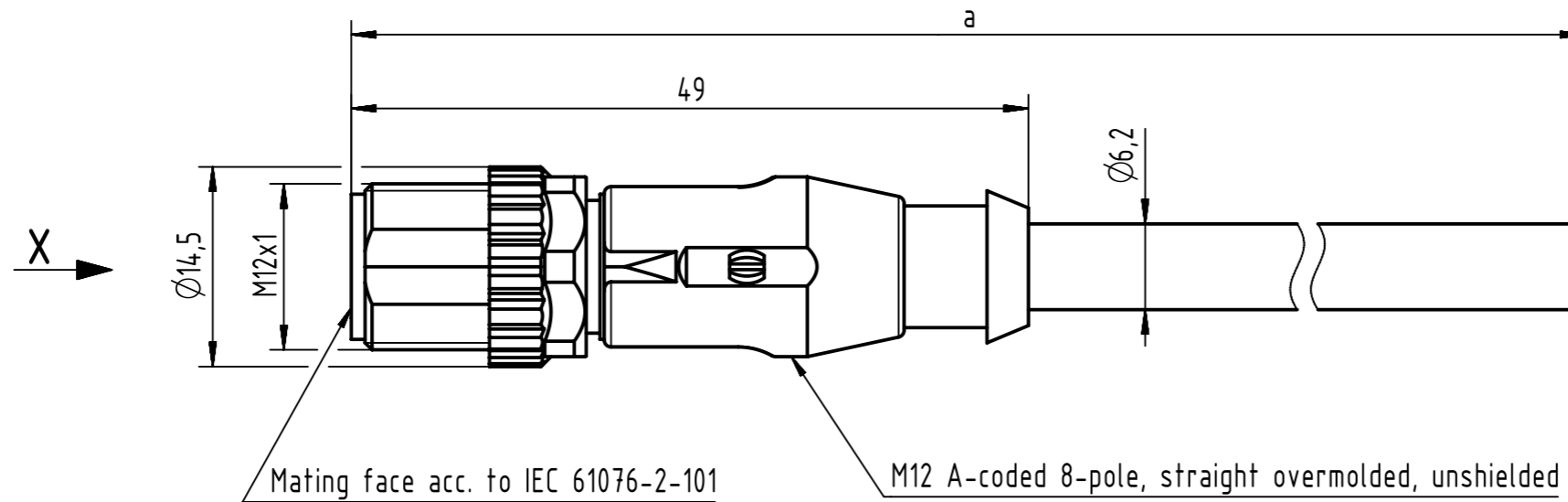


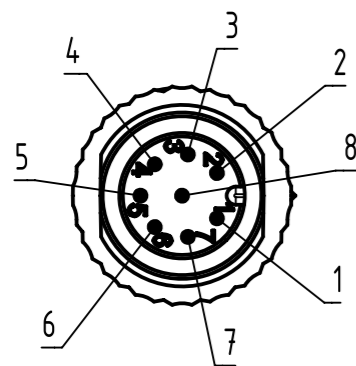
Connector Location A

Connector Location B

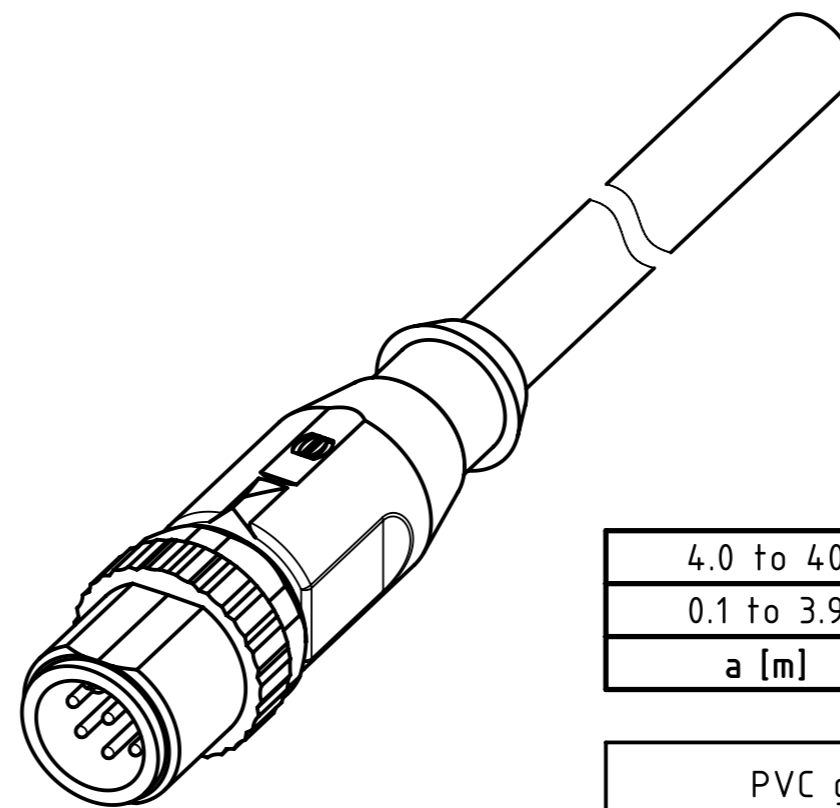


X  
male

Loading-Plan:



- 1 — white
- 2 — brown
- 3 — green
- 4 — yellow
- 5 — grey
- 6 — pink
- 7 — blue
- 8 — red



- Protection level: IP67
- Temperature range: -25°C ... +80°C

|                       |         |         |
|-----------------------|---------|---------|
| length in "1m" step   | 40      | XXX=40  |
|                       | 39      | XXX=39  |
|                       | .       | .       |
|                       | 12      | XXX=120 |
|                       | 11      | XXX=110 |
| length in "0.1m" step | 10      | XXX=100 |
|                       | 9.9     | XXX=099 |
|                       | 9.8     | XXX=098 |
|                       | .       | .       |
|                       | 0.4     | XXX=004 |
|                       | 0.3     | XXX=003 |
|                       | 0.2     | XXX=002 |
| 0.1                   | XXX=001 |         |
| Step                  | a [m]   | XXX     |

|            |           |
|------------|-----------|
| 4.0 to 40  | ±1%       |
| 0.1 to 3.9 | +0.04     |
| a [m]      | Tolerance |

|                                 |                |
|---------------------------------|----------------|
| PVC grey, 8x0.25mm <sup>2</sup> | 21348400882XXX |
| Type of cable                   | Part no.       |

|   |                     |   |                                 |                                  |  |                     |
|---|---------------------|---|---------------------------------|----------------------------------|--|---------------------|
|   | All rights reserved | Created by COSTEA Costea                | Inspected by STOCHECIC Stocheci | Standardisation MUNTEANV Muntean | Date 2018-12-17                                    | State Final Release |
|   | Department HCS - RO | Title M12 Cable Assembly A-cod st/- m/- |                                 |                                  | Doc-Key / ECM-Nr. 100578925/UGD/009/C 500000144899 |                     |
| HARTING Customised Solutions<br>D-32339 Espelkamp | Type TB             | Number 21348400882XXX                   |                                 |                                  | Rev. C   | Page 1/1            |

# Mouser Electronics

Authorized Distributor

Click to View Pricing, Inventory, Delivery & Lifecycle Information:

## HARTING:

[21348400882005](#) [21348400882075](#) [21348400882020](#) [21348400882100](#) [21348400882015](#) [21348400882010](#)  
[21348400882050](#) [21348400882030](#)