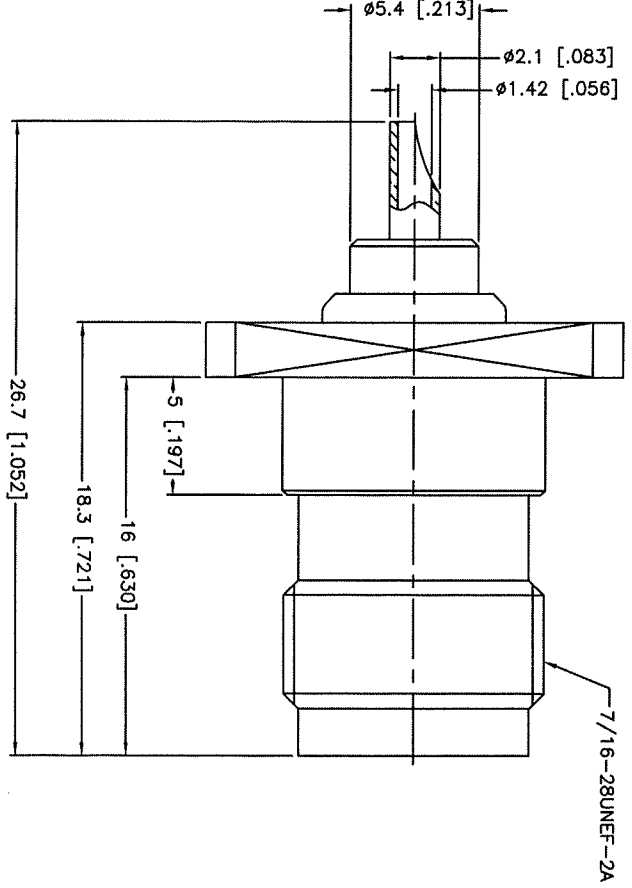
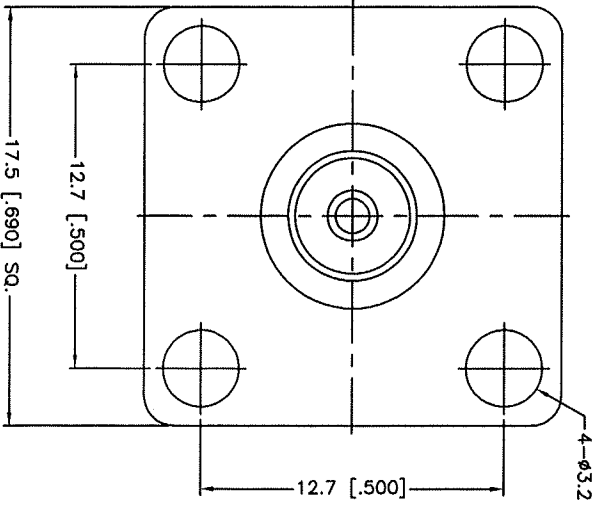


REV.	DATE	ECR NO.	DESCRIPTION
NC	05/12/09	XXXXXX	INITIAL RELEASE



UNLESS OTHERWISE SPECIFIED DIMENSIONS ARE IN MILLIMETERS DIMENSIONS IN [ ] ARE IN INCHES AND FOR CUSTOMER REFERENCE ONLY.	UNLESS OTHERWISE SPECIFIED TOLERANCES FOR MILLIMETERS ARE:	UNLESS OTHERWISE SPECIFIED TOLERANCES FOR INCHES ARE:	APPROVALS	DATE	PART DESCRIPTION			
0.5 - 8mm ± 0.20mm	8 - 30mm ± 0.40mm	30 - 120mm ± 0.50mm	DRAWN M.ZHANG	05/12/09	<b>Amphenol Connex</b> TNC REVERSE POLARITY PANEL JACK PART NO. 122248RP			
0.20 - .315 ± 0.007	.315 - 1.180 ± 0.015	1.180 - 4.724 ± 0.020	CHECKED					
			ISSUED					
			SHEET 1 OF 1					
CONTACT PIN	BRASS	GOLD	QTY					
INSULATOR	PTFE	NATURAL						
BODY	BRASS	NICKEL						
HOUSING	BRASS	NICKEL						
DESCRIPTION	MATERIAL	FINISH						
DO NOT SCALE DRAWING			QAD FILE	C:/CONNEX/122248RP.DWG	DWG. NO. 122248RP.DWG			
			REV.	NC	SIZE	A	SCALE	NA

# Mouser Electronics

Authorized Distributor

Click to View Pricing, Inventory, Delivery & Lifecycle Information:

[Amphenol:](#)

[122248RP](#)