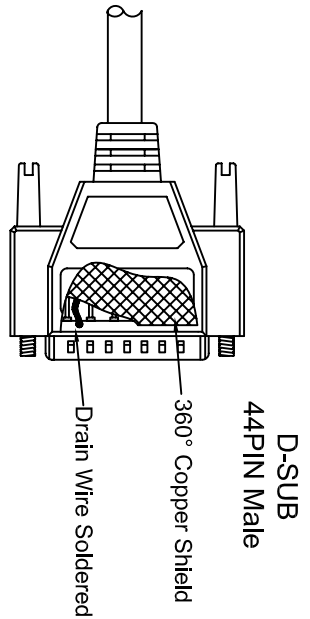
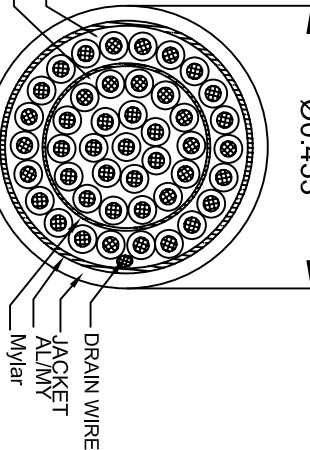
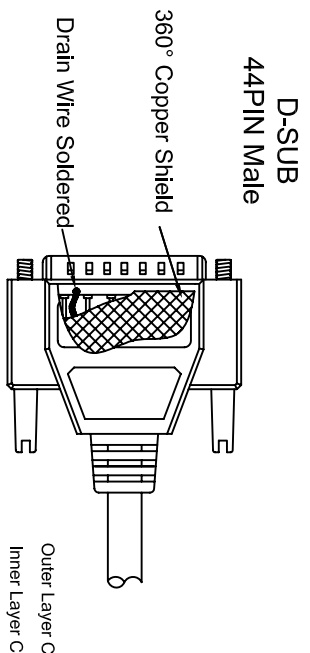
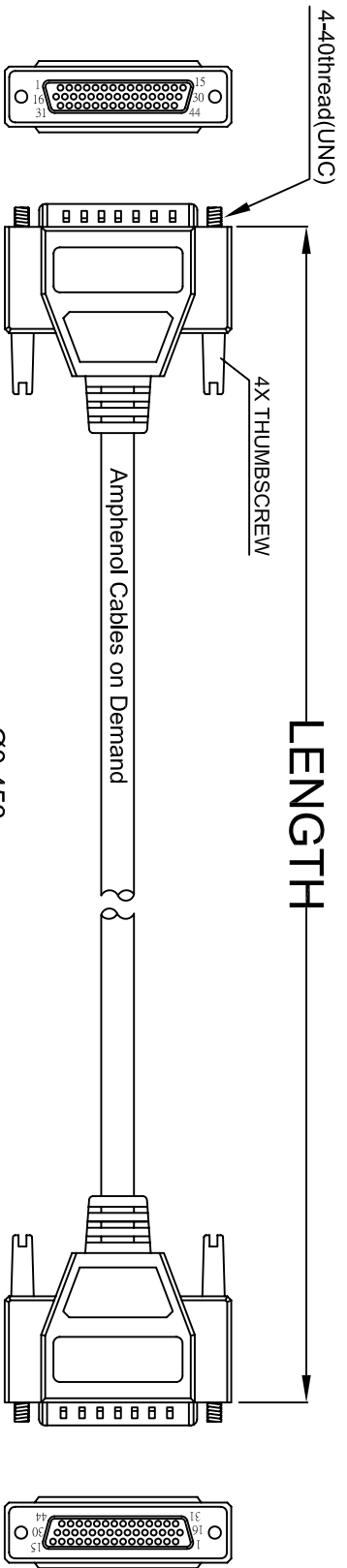


THE INFORMATION CONTAINED IN THIS DRAWING IS THE SOLE PROPERTY OF AMPHENOL CABLES ON DEMAND. ANY REPRODUCTION OR DISCLOSURE TO THIRD PARTIES IN PART OR WHOLE, WITHOUT THE EXPRESS WRITTEN PERMISSION OF AMPHENOL CABLES ON DEMAND IS PROHIBITED.

REV.	DESCRIPTION	DATE	APPROVED
A	NEW RELEASE	03/01/07	
A1	Add wiring color	16/JAN/2012	



PIN OUT: 1 TO 1
Inner Layer Code

SEC A-A

LENGTH & P/N Table

Male	Male	Color	Male	Male	Color
PIN1	PIN1	Black	PIN23	PIN23	Black
PIN2	PIN2	Brown	PIN24	PIN24	Brown
PIN3	PIN3	Red	PIN25	PIN25	Red
PIN4	PIN4	Orange	PIN26	PIN26	Orange
PIN5	PIN5	Yellow	PIN27	PIN27	Yellow
PIN6	PIN6	Green	PIN28	PIN28	Green
PIN7	PIN7	Blue	PIN29	PIN29	Blue
PIN8	PIN8	Purple	PIN30	PIN30	Purple
PIN9	PIN9	Gray	PIN31	PIN31	Gray
PIN10	PIN10	White	PIN32	PIN32	White
PIN11	PIN11	Pink	PIN33	PIN33	Pink
PIN12	PIN12	Light Green	PIN34	PIN34	Light Green
PIN13	PIN13	Black/White	PIN35	PIN35	Black/White
PIN14	PIN14	Brown/White	PIN36	PIN36	Brown/White
PIN15	PIN15	Red/White	PIN37	PIN37	Red/White
PIN16	PIN16	Orange/White	PIN38	PIN38	Orange/White
PIN17	PIN17	Green/White	PIN39	PIN39	Green/White
PIN18	PIN18	Blue/White	PIN40	PIN40	Blue/White
PIN19	PIN19	Purple/White	PIN41	PIN41	Purple/White
PIN20	PIN20	Red/Black	PIN42	PIN42	Red/Black
PIN21	PIN21	Orange/Black	PIN43	PIN43	Orange/Black
PIN22	PIN22	Yellow/Black	PIN44	PIN44	Yellow/Black

Outer Layer Code

SHIELD—SHIELD—Drain Wire

LENGTH	P/N	Cable Color
2.5FT ±1 inch	CS-DSDHD44MM0-002.5	GREY
5FT ±2 inch	CS-DSDHD44MM0-005	GREY
10FT ±3 inch	CS-DSDHD44MM0-010	GREY
15FT ±3 inch	CS-DSDHD44MM0-015	GREY
25FT ±4 inch	CS-DSDHD44MM0-025	GREY
50FT ±8 inch	CS-DSDHD44MM0-050	GREY



UNLESS OTHERWISE SPECIFIED DIMENSIONS ARE IN INCHES TOLERANCES ARE:

DEIMALS	ANGLES
.X ±X	±X°
.XX ±XX	
.XXX ±XXX	

APPROVALS	DATE
DRAWN LF	16/JAN/2012
CHECKED BA	16/JAN/2012

Amphenol Cables on Demand
20 VALLEY ST. ENDCOTT, NY 13760
ASM CBL Deluxe High Density
44PIN D-Sub MM

SIZE	DWG. NO.	SCALE	SHEET	OF	REV.
A	CS-DSDHD44MM0-XXX				A1

NOTES: UNLESS OTHERWISE SPECIFIED

4

3

2

1

Mouser Electronics

Authorized Distributor

Click to View Pricing, Inventory, Delivery & Lifecycle Information:

[Amphenol:](#)

[CS-DSDHD44MM0-015](#) [CS-DSDHD44MM0-002.5](#) [CS-DSDHD44MM0-005](#) [CS-DSDHD44MM0-010](#)