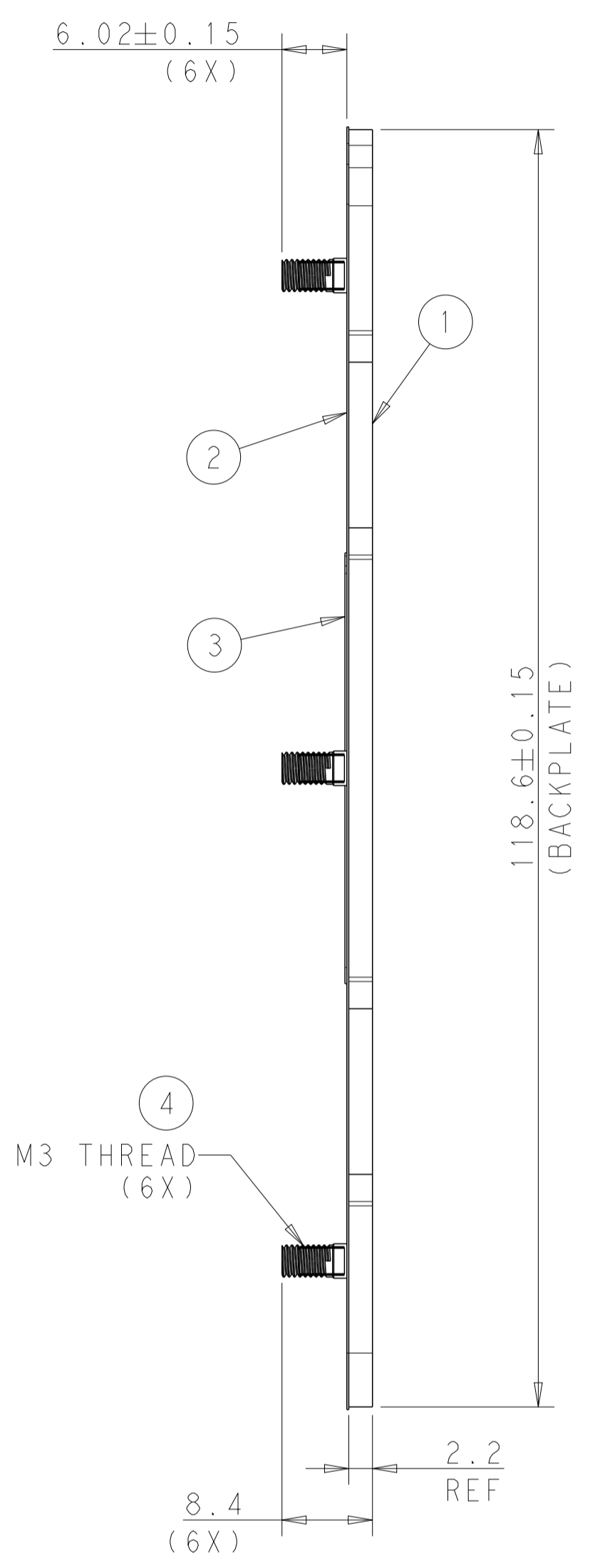
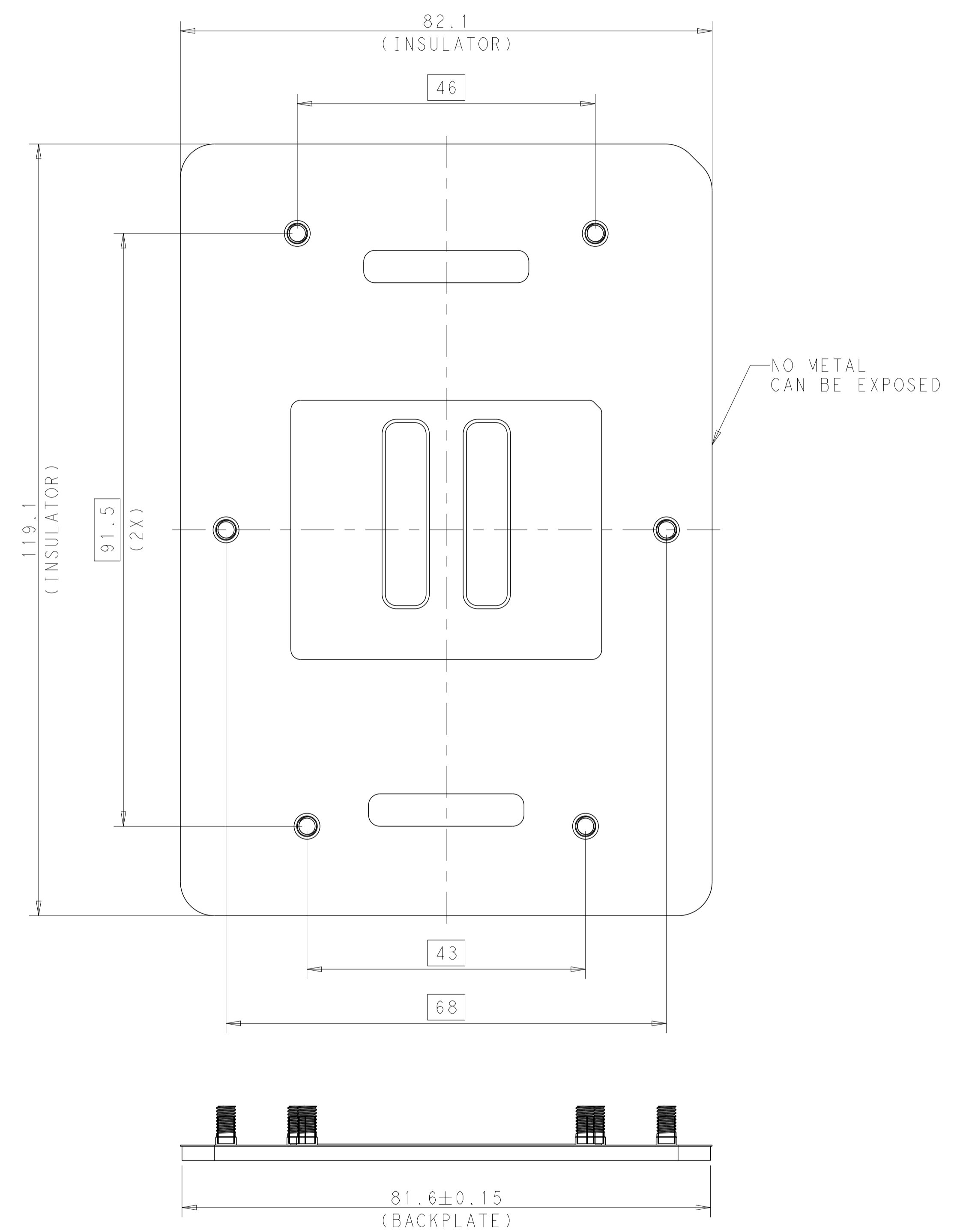


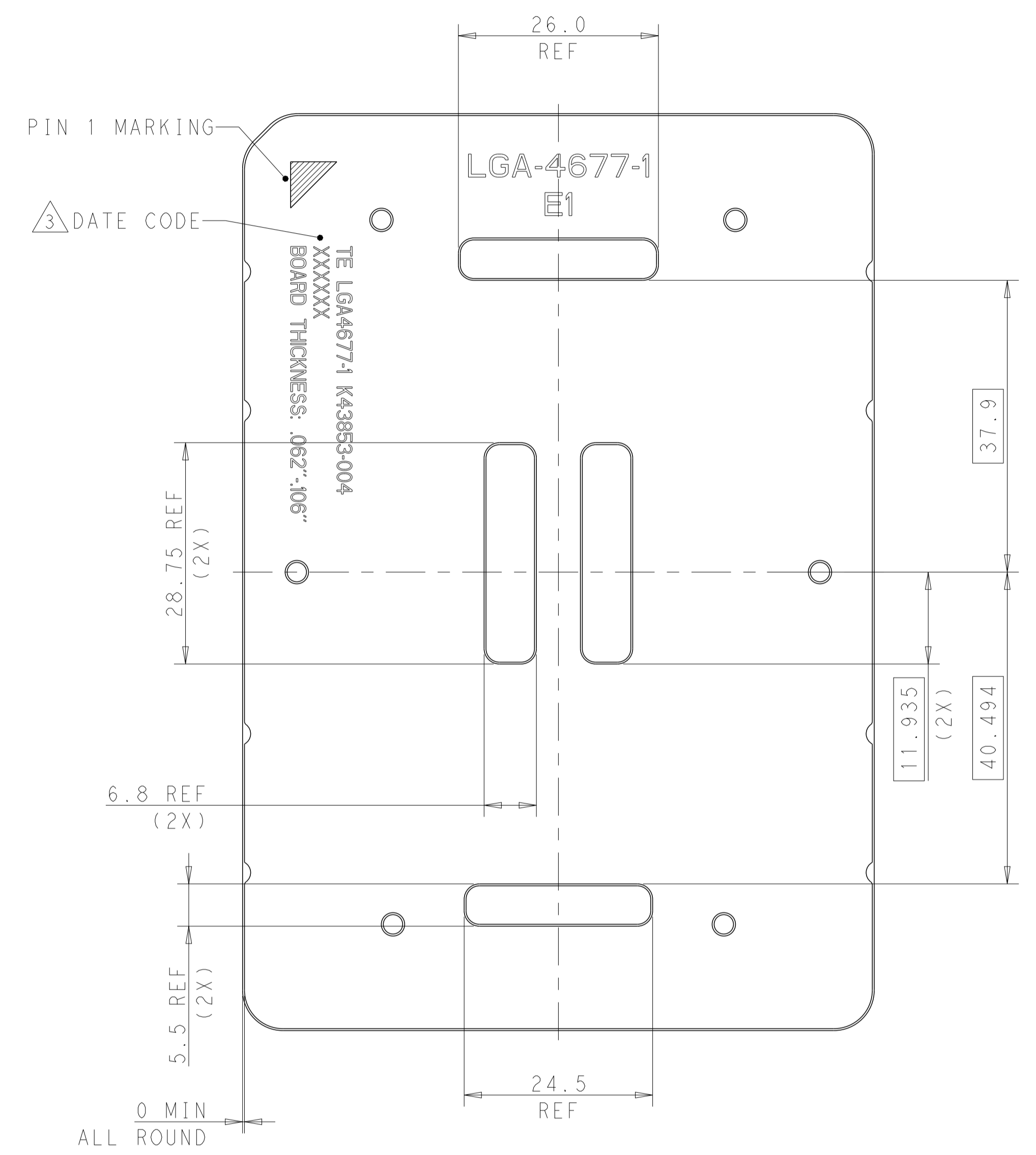
REVISIONS			
P. LTR	DESCRIPTION	DATE	DWN. APVD.
A	RELEASED	13SEP22	J.W. S.L.

PN 2351051-1 AS SHOW

TOP VIEW (INSULATOR SIDE)



BOTTOM VIEW



PN 2351051-1 AS SHOW

- NOTE:
- MATERIAL:
    - BACK PLATE: CARBON STEEL, NI PLATING.
    - BACK PLATE INSULATOR: POLYCARBONATE FILM PLUS ACRYLIC ADHESIVE LAYER.
    - EXTRA INSULATOR: POLYCARBONATE FILM PLUS ACRYLIC ADHESIVE LAYER.
    - STUD: STEEL.
  - ASSEMBLED WITH BOLSTER ASSEMBLY P/N: 2351050 SERIES. STUD/NUT MUST BE ABLE TO ENGAGE WITH MOTHERBOARD THICKNESS: FOR PN 2351051-1, IN THE RANGE OF 0.062" - 0.106"

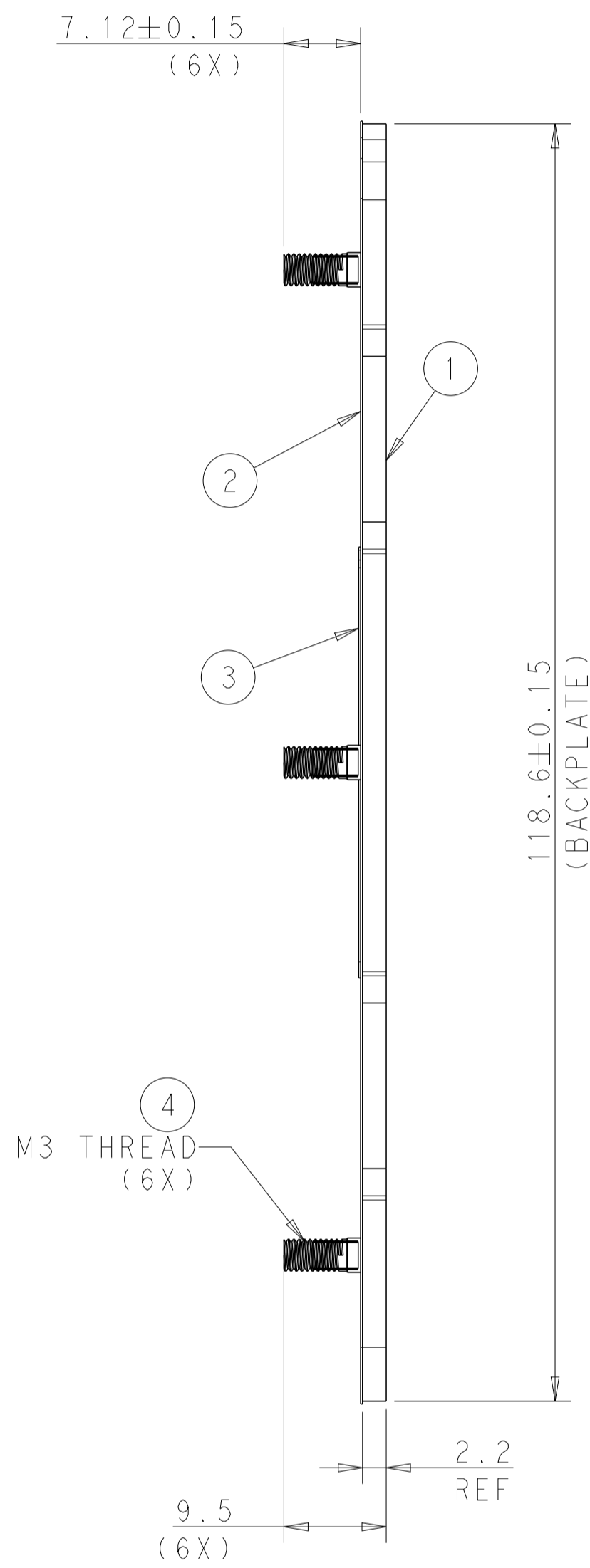
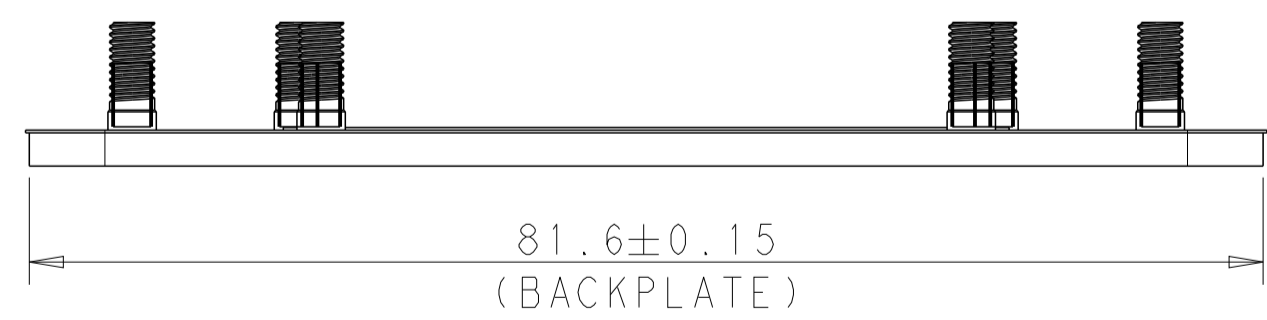
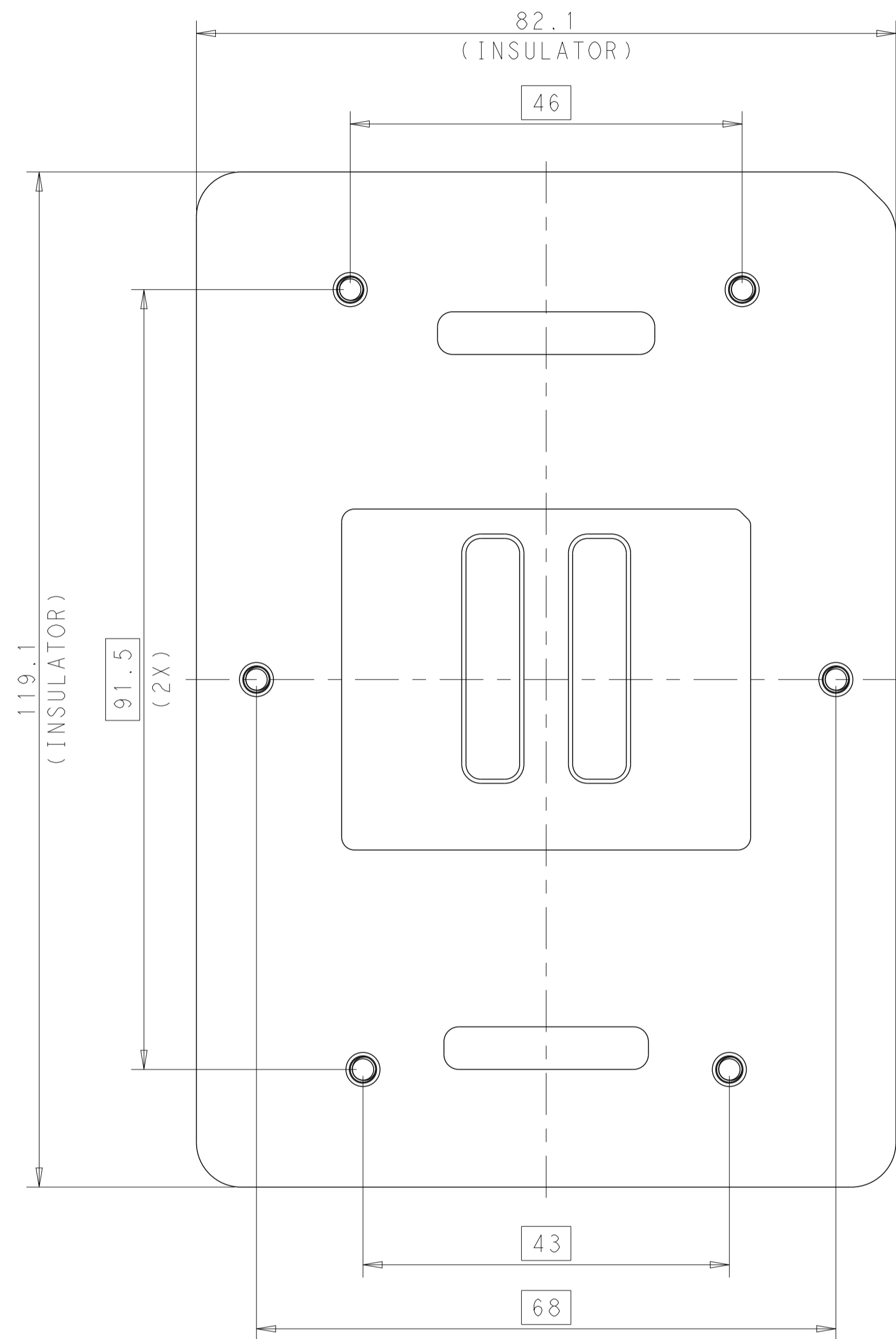
3. INDICATED DATE CODE ON THE BACK PLATE

THIS DRAWING IS A CONTROLLED DOCUMENT.		DWN: JEFF WANG 05AUG2019	TE Connectivity
DIMENSIONS: mm		CHK: BILL LV 05AUG2019	
TOLERANCES UNLESS OTHERWISE SPECIFIED:		APVD: SIMON LI 05AUG2019	NAME: LGA4677-1 SOCKET SOCKET E1 BACKPLATE ASSY
0 PLC ±0.3 1 PLC ±0.3 2 PLC ±0.3 3 PLC ±0.3 4 PLC ±0.3 ANGLES ±° FINISH ±.3		PRODUCT SPEC: 108-115173	RESTRICTED TO: -
MATERIAL: -		APPLICATION SPEC: 114-115032	SIZE: A1
CUSTOMER DRAWING		WEIGHT: -	CAGE CODE: 2351051
SCALE: 2:1		SHEET 1 OF 4	
REV: A			

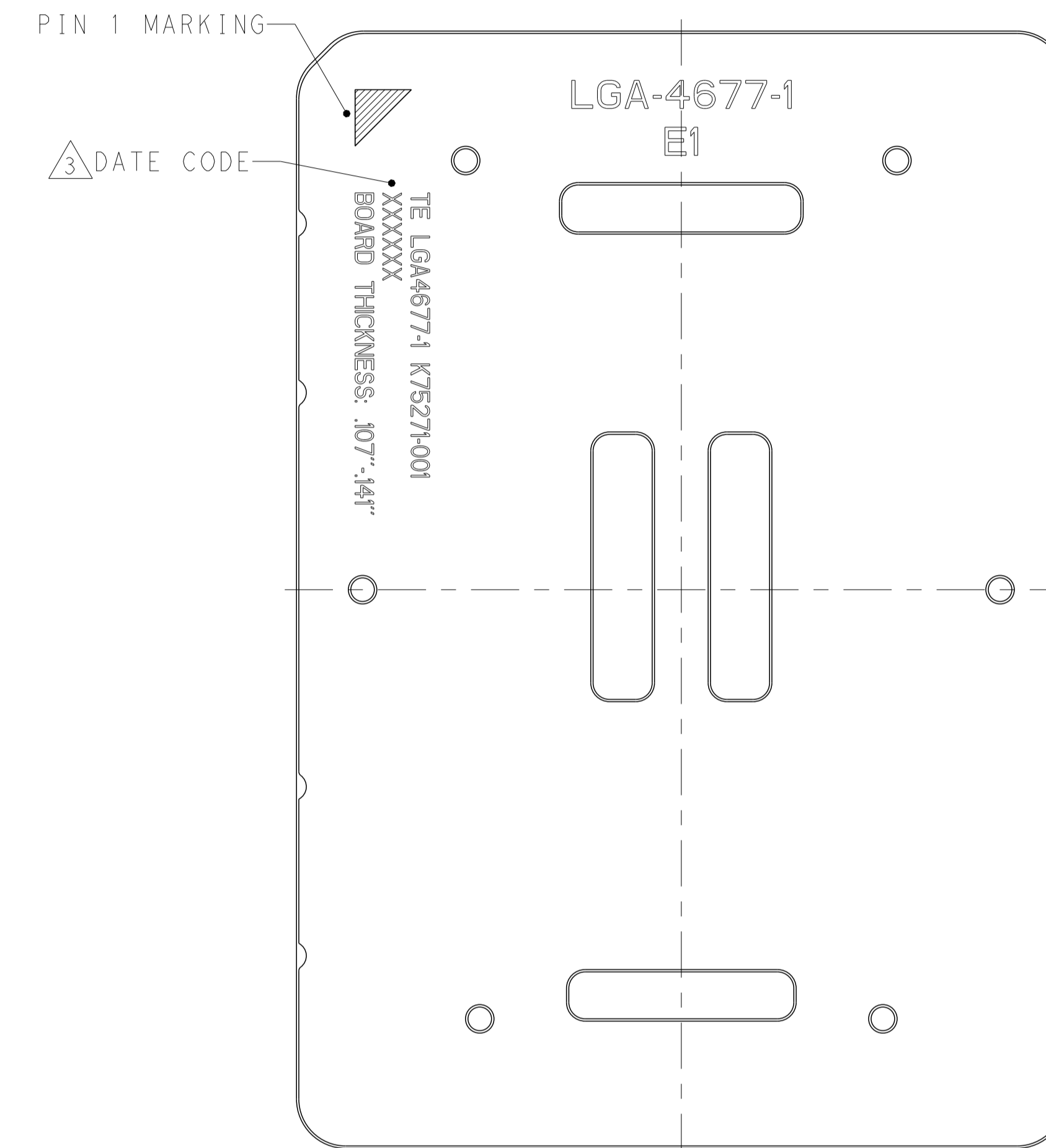
REVISIONS				
P.	LTN.	DESCRIPTION	DATE	APPD.

PN 2351051-2 AS SHOW

TOP VIEW (INSULATOR SIDE)



BOTTOM VIEW



PN 2351051-2 AS SHOW  
UNLESS SPECIFIED DIMENSION  
ARE SAME WITH 2351051-1

NOTE:

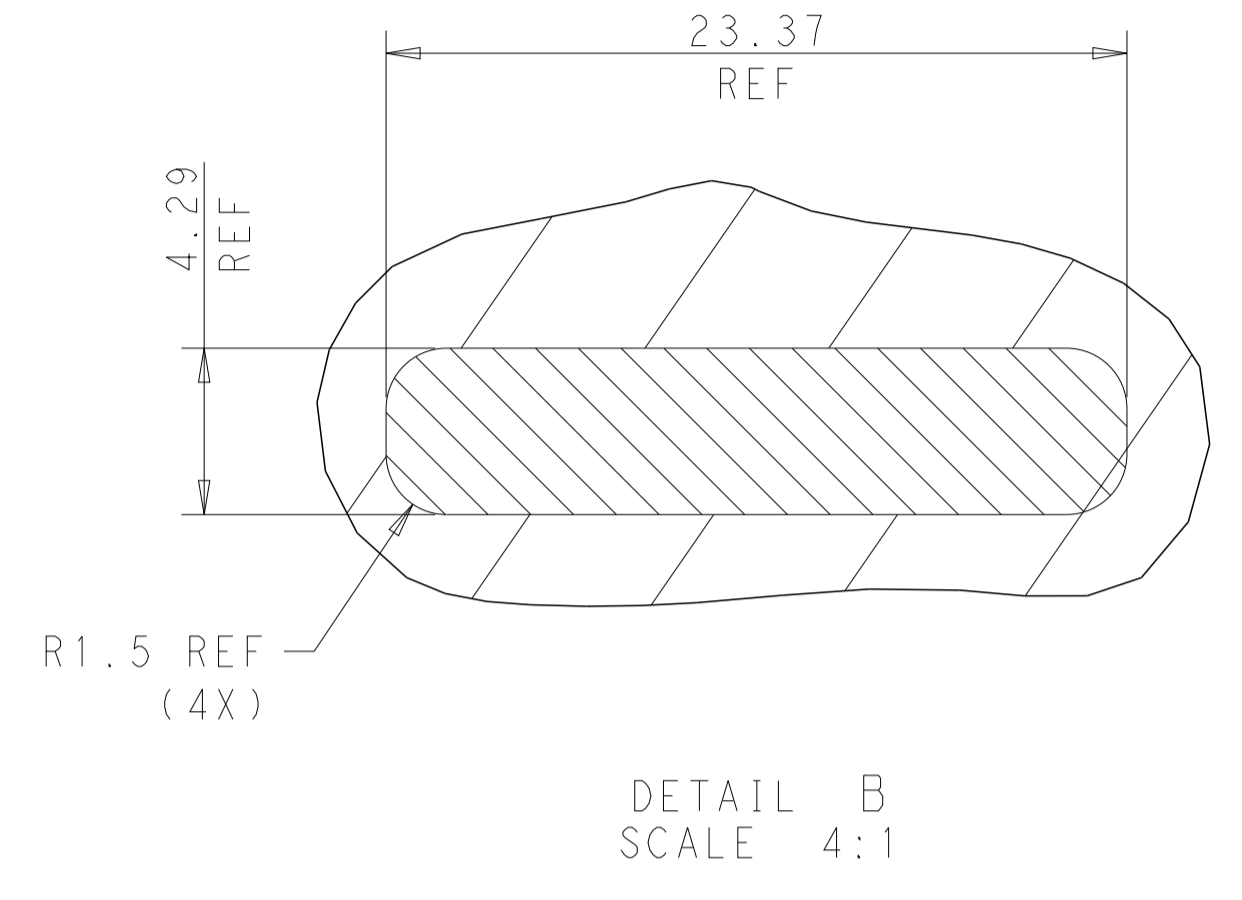
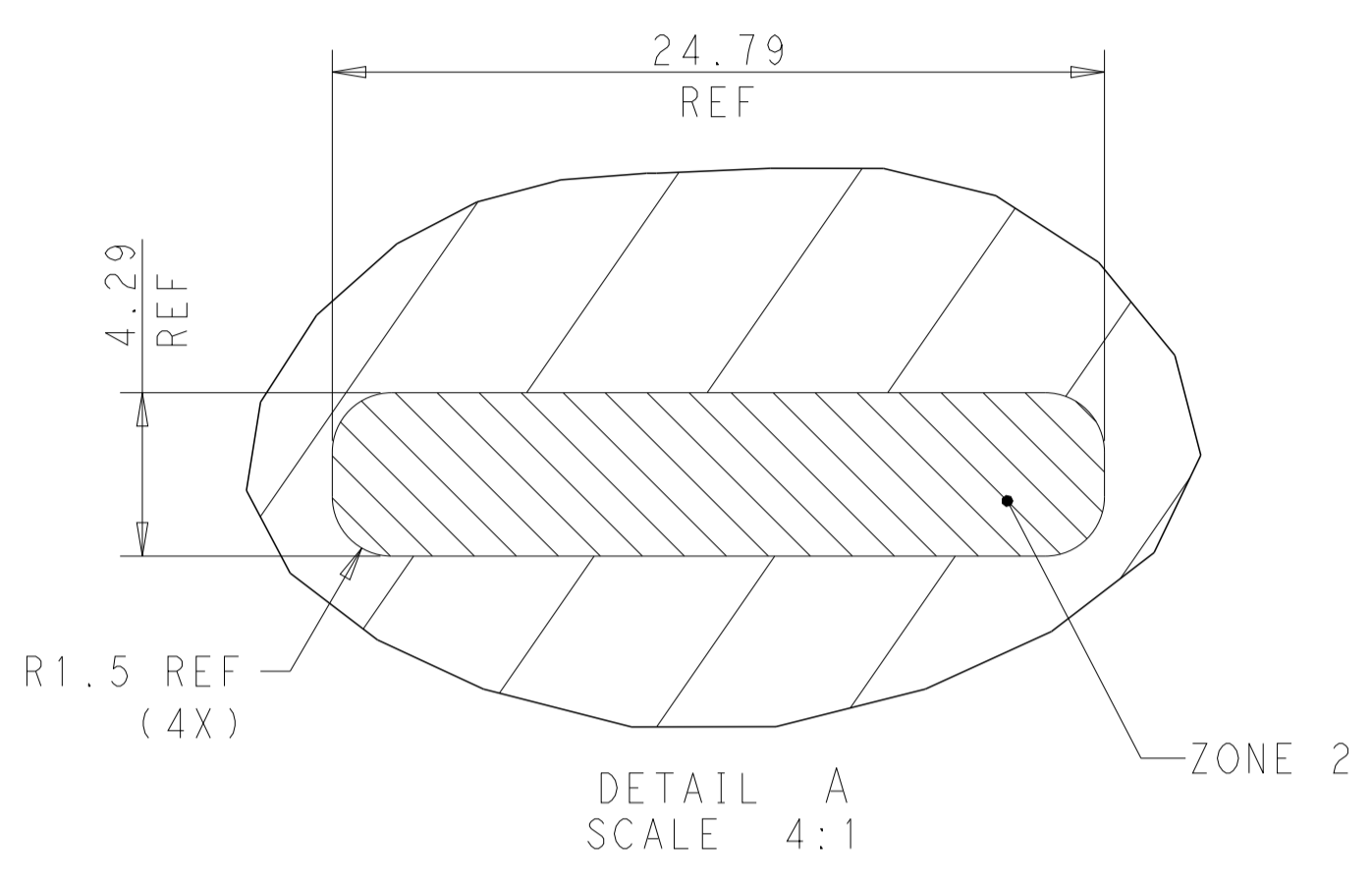
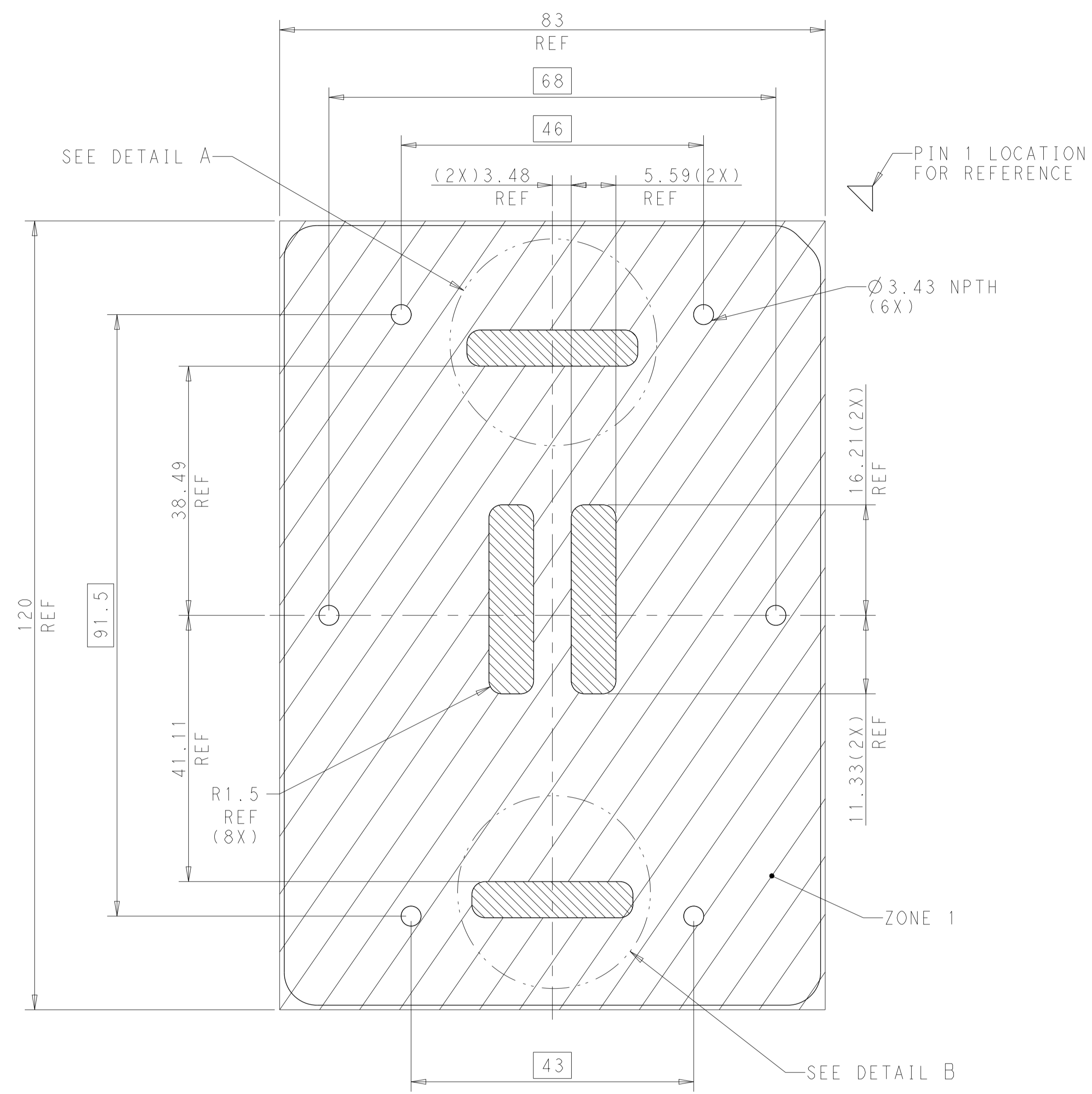
- MATERIAL:
  - BACK PLATE: CARBON STEEL, NI PLATING.
  - BACK PLATE INSULATOR: POLYCARBONATE FILM PLUS ACRYLIC ADHESIVE LAYER.
  - EXTRA INSULATOR: POLYCARBONATE FILM PLUS ACRYLIC ADHESIVE LAYER.
  - STUD: STEEL.

- ASSEMBLED WITH BOLSTER ASSEMBLY P/N: 2351050 SERIES  
STUD/NUT MUST BE ABLE TO ENGAGE WITH MOTHERBOARD THICKNESS:  
FOR PN 2351051-2, IN THE RANGE OF 0.107"-0.141"

△ INDICATED DATE CODE ON THE BACK PLATE

THIS DRAWING IS A CONTROLLED DOCUMENT.		OWN: JEFF WANG 05AUG2019	TE Connectivity
DIMENSIONS: mm		CHK: BILL LV 05AUG2019	
TOLERANCES UNLESS OTHERWISE SPECIFIED:		APPD: SIMON LI 05AUG2019	NAME: LGA4677-1 SOCKET SOCKET E1 BACKPLATE ASSY
0 PLC ±0.3	1 PLC ±0.3	PRODUCT SPEC	SIZE: CAGE CODE DRAWING NO
2 PLC ±0.3	3 PLC ±0.3	108-115173	RESTRICTED TO
4 PLC ±0.3	ANGLES ±°	APPLICATION SPEC	A100779C=2351051
MATERIAL: -	FINISH: -	114-115032	SCALE: 2:1 SHEET 2 OF 4 REV A
CUSTOMER DRAWING		WEIGHT: -	

REVISIONS				
P.	LTN	DESCRIPTION	DATE	APPD



KOZ LEGEND	
	ZONE 1: BACKPLATE ZONE, NO OTHER COMPONENT PLACEMENT ALLOWED, 0.0MM HEIGHT RESTRICTION
	ZONE 2: SECONDARY SIDE SOCKET CAVITY ZONE, 2.25MM MAX COMPONENT HEIGHT.

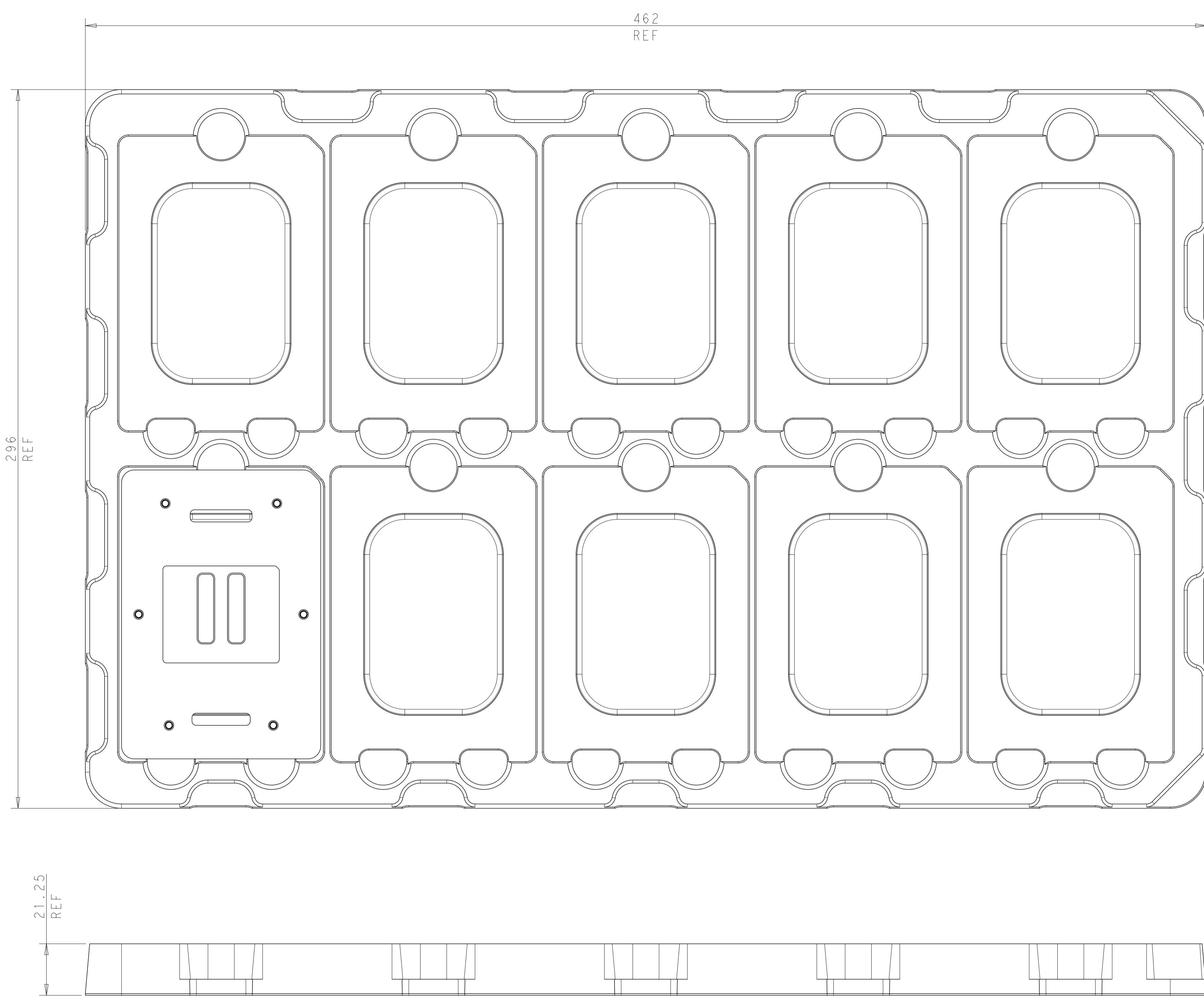
REFERENCE BACKPLATE KEEPOUT ZONE  
 FOR GENERAL BOARD DESIGN, PLEASE REFER TO THE THERMAL AND MECHANICAL DESIGN GUIDELINES PROVIDED BY INTEL

THIS DRAWING IS A CONTROLLED DOCUMENT.		DWN: JEFF WANG 05AUG2019 CHK: BILL LV 05AUG2019 APVD: SIMON LI 05AUG2019	TE Connectivity
DIMENSIONS: mm 	TOLERANCES UNLESS OTHERWISE SPECIFIED: 0 PLC $\pm 0.3$ 1 PLC $\pm 0.3$ 2 PLC $\pm 0.3$ 3 PLC $\pm 0.3$ 4 PLC $\pm 0.3$ ANGLES $\pm 0.1$ FINISH $\pm 0.3$	NAME: LGA4677-1 SOCKET SOCKET E1 BACKPLATE ASSY PRODUCT SPEC: 108-115173 APPLICATION SPEC: 114-115032 WEIGHT: -	SIZE: A1 CAGE CODE: 00779 DRAWING NO: C=2351051 RESTRICTED TO: -
MATERIAL: -		CUSTOMER DRAWING	SCALE: 2:1 SHEET: 3 OF 4 REV: A

THIS DRAWING IS UNPUBLISHED. RELEASED FOR PUBLICATION  
 © COPYRIGHT copyright © 2014. ALL RIGHTS RESERVED.

REVISIONS				
P.	LTN	DESCRIPTION	DATE	APVD

PN 2351051-X PACKING AS SHOW



NOTE: PN 2351051-X, 10PCS/TRAY, 80PCS/BOX

THIS DRAWING IS A CONTROLLED DOCUMENT.		DWN: JEFF WANG 05AUG2019 CHK: BILL LV 05AUG2019 APVD: SIMON LI 05AUG2019		
DIMENSIONS: mm TOLERANCES UNLESS OTHERWISE SPECIFIED: 0 PLC ±0.3 1 PLC ±0.3 2 PLC ±0.3 3 PLC ±0.3 4 PLC ±0.3 ANGLES ±° FINISH ±.3		NAME: LGA4677-1 SOCKET PRODUCT SPEC: 108-115173 APPLICATION SPEC: 114-115032 WEIGHT: -	SIZE: A1 CAGE CODE: 00779 DRAWING NO: C=2351051 RESTRICTED TO: -	
MATERIAL: -		CUSTOMER DRAWING		SCALE: 2:1 SHEET: 4 OF 4 REV: A