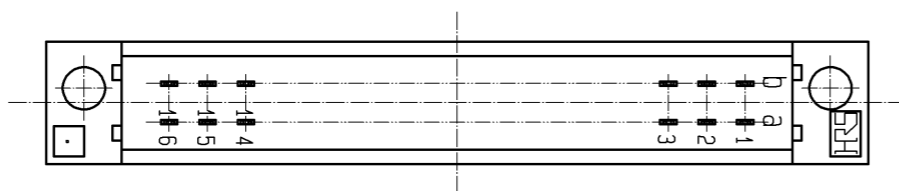
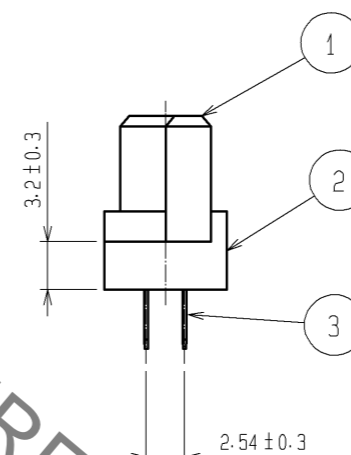
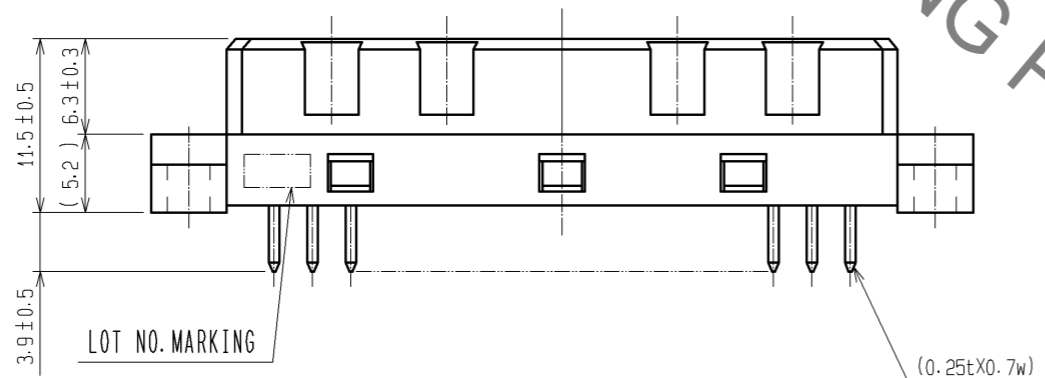
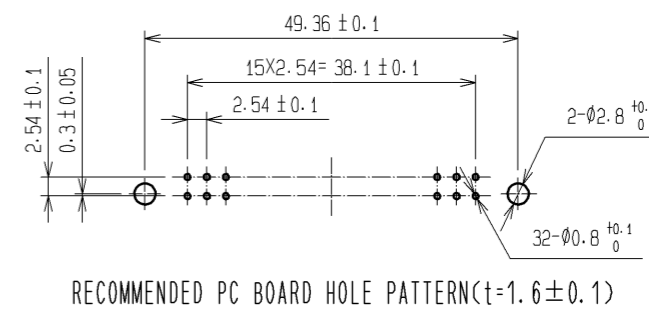
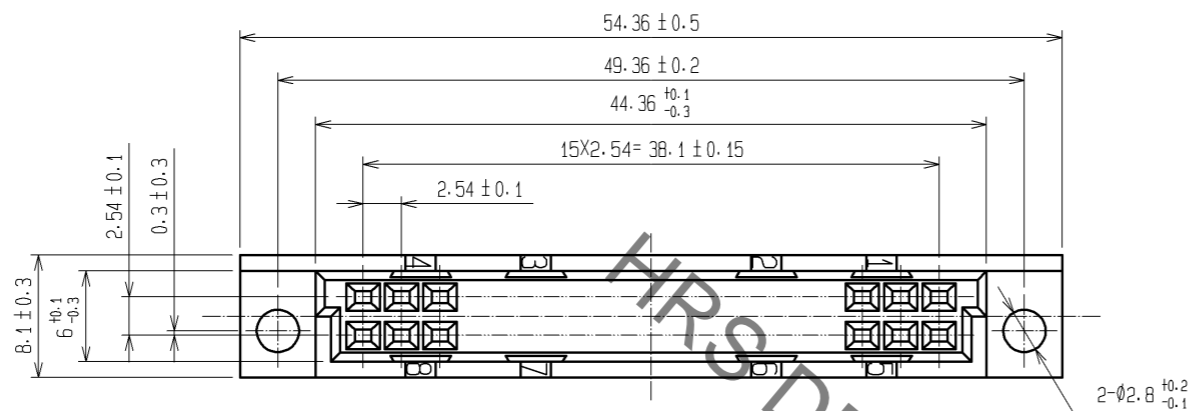


Aug.1.2020 Copyright 2020 HIROSE ELECTRIC CO., LTD. All Rights Reserved.  
 In case of consideration for using Automotive equipment / device which demand high reliability, kindly contact our sales window correspondents.



HRS DRAWING FOR REFERENCE

1, 2	PBT	GRAY UL94V-0	3	COPPER ALLOY	CONTACT AREA : Ni1 $\mu$ m+Au0.2 $\mu$ m DIP AREA : Ni1 $\mu$ m+Sn1 $\mu$ m
NO.	MATERIAL	FINISH . REMARKS	NO.	MATERIAL	FINISH . REMARKS
UNITS mm		SCALE 2 : 1	COUNT 	DESCRIPTION OF REVISIONS	DESIGNED
<b>HRS</b> HIROSE ELECTRIC CO., LTD.		APPROVED : HS. OKAWA	11. 03. 08	DRAWING NO.	EDC3-018372-01
		CHECKED : NH. SUGITA	11. 03. 08	PART NO.	PCN10-32S-2.54DSA(72)
		DESIGNED : KJ. NISHIWAKI	11. 03. 08	CODE NO.	CL583-0019-7-72
		DRAWN : CR. TAKESHIMA	11. 03. 07		1/1

# Mouser Electronics

Authorized Distributor

Click to View Pricing, Inventory, Delivery & Lifecycle Information:

[Hirose Electric:](#)

[PCN10-32S-2.54DSA\(72\)](#)