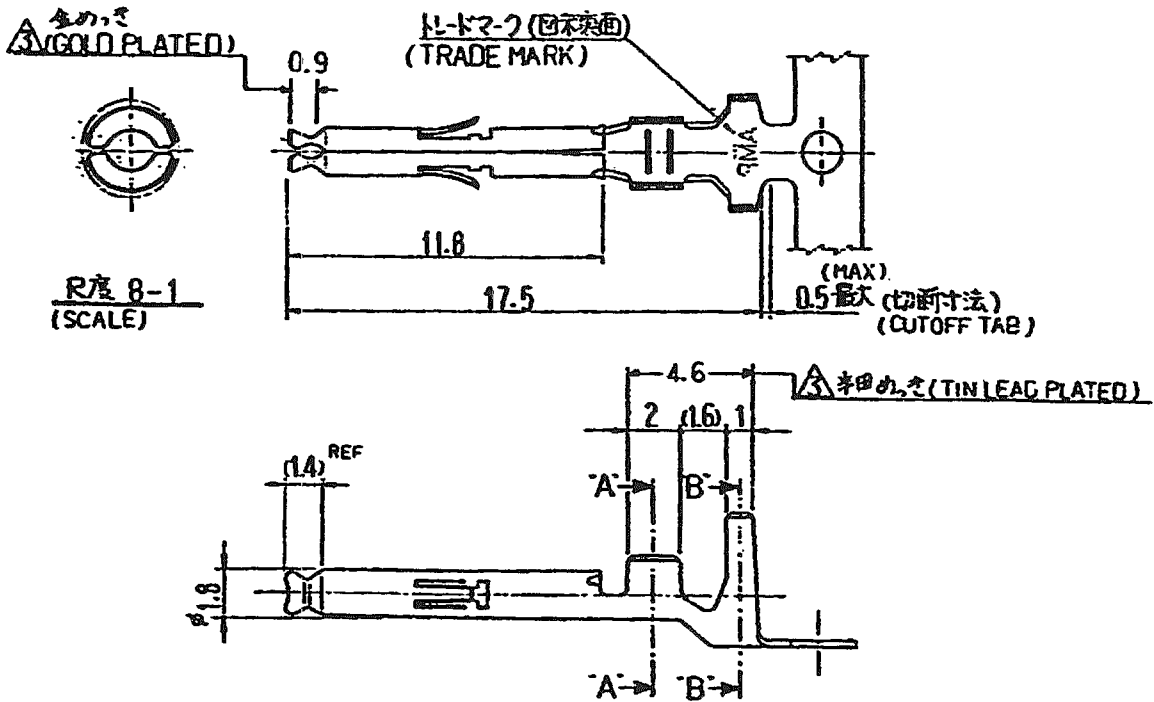


LOC J	DIST —	REVISIONS 変更			DATE	DWN	APVD
		P	LTR	DESCRIPTION			
		A		RELEASED	26JAN2006	Y.Y	N.Y



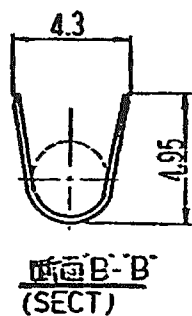
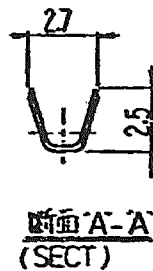
注: 1. 適用規格

製品規格 108-5151, 108-5138.  
 取付適用規格 114-5050  
 取扱説明書 IS-105J

- △ 2芯着道用電線  
AWG#20 (VSF被覆外形φ2.4)×2
- △ ニュールめっき下地に金めっき  
及びバレル部 錫めっき

NOTES: 1. PRODUCT SPECIFICATION 108-5151, 108-5138  
 APPLICATION SPECIFICATION 114-5050  
 INSTRUCTION SHEET IS-105J

- △ APPLICABLE WIRE FOR TWO-WIRE CRIMP  
AWG #20 (VSF INSULATION DIAMETER φ2.4) × 2
- △ GOLD PLATED  
TIN PLATED ON BARREL AREA OVER NER  
NICKEL PLATED.



真鍮にメッキ (板厚0.25) GOLD PLATED BRASS (0.25t)	5171637-3
バラ端子 (LOOSE PIECE)	仕上 (FINISH MATERIAL) 型番 (P/N)

DWN Y. YAMADA	26JAN2006	MATERIAL 材料	SEE TABLE	WIRE INS RANGE 適用電線	0.5~1.3mm <sup>2</sup> (#20-#16) △
CHK N. YAMASAKI	26JAN2006	Tyco Electronics AMP K.K. Kawasaki, Japan			
APVD N. YAMASAKI	26JAN2006				
PRODUCT SPEC 製品規格	SEE NOTE 1	NAME 名称	SOCKET CONTACT (MINI UNIVERSAL M-N-L)		
APPLICATION SPEC 取付適用規格	SEE NOTE 1	SIZE	CAGE CODE	DRAWING NO 番号	RESTRICTED TO
WEIGHT	—	A4	00779	C-5171637	—
CUSTOMER DRAWING		SCALE 尺度	4:1	SHEET 1 OF 1	REV A

THIS DRAWING IS UNPUBLISHED.

ALL RIGHTS RESERVED.

COPYRIGHT © BY TYCO ELECTRONICS CORPORATION.

# Mouser Electronics

Authorized Distributor

Click to View Pricing, Inventory, Delivery & Lifecycle Information:

[TE Connectivity:](#)

[5171637-3](#)