

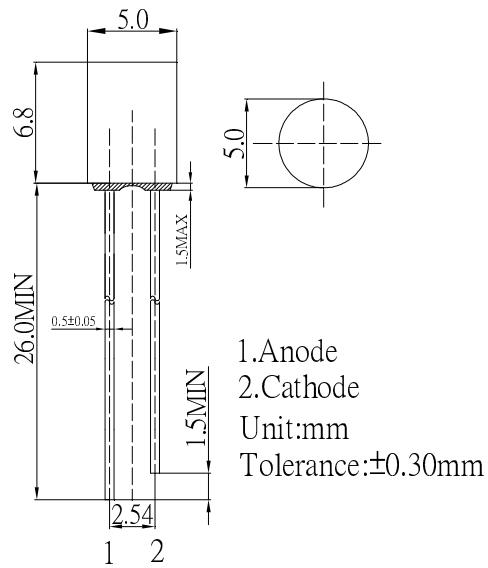
**■ Features**

- High Luminous LEDs
- 5mm Flat Top Standard Directivity
- UV Resistant Epoxy
- Color Diffused / White Diffused for White LEDs

**■ Applications**

- Electronic Signs And Signals
- Small Area Illuminations
- Back Lighting
- Other Lighting

**■ Outline Dimension**

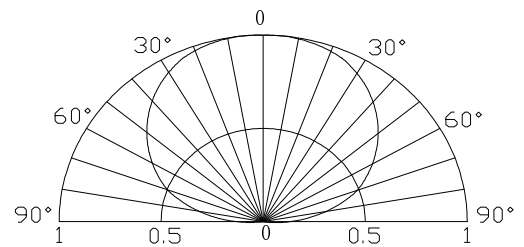


**■ Absolute Maximum Rating**

(Ta=25°C)

Item	Symbol	Value		Unit
		W/M/B/G	Y/O/R	
DC Forward Current	I <sub>F</sub>	30	30	mA
Pulse Forward Current#	I <sub>FP</sub>	100	100	mA
Reverse Voltage	V <sub>R</sub>	5	5	V
Power Dissipation	P <sub>D</sub>	108	78	mW
Operating Temperature	Topr	-30 ~ +85		°C
Storage Temperature	Tstg	-40 ~ +100		°C
Lead Soldering Temperature	Tsol	260°C/5sec		-

**■ Directivity**



#Pulse width Max.10ms Duty ratio max 1/10

**■ Electrical -Optical Characteristics**

(Ta=25°C)

Part Number	Color			V <sub>F</sub> (V)*			I <sub>R</sub> (μA)	I <sub>v</sub> (mcd)*			λ <sub>D</sub> (nm)*			θ1/2 (deg)
				Min.	Typ.	Max.	Max.	Min.	Typ.	Max.	Min.	Typ.	Max.	Typ.
				I <sub>F</sub> =20mA			V <sub>R</sub> =5V			I <sub>F</sub> =20mA				
OSW5DK5GE2B	White	W		-	2.9	3.4	10	1120	1560	-	*CCT:8000-18000K			140
OSM5DK5GE2B	Warm White	M	■	-	2.9	3.4	10	750	1120	-	*CCT:2700-3300K			140
OSB5SA5GE4B	Blue	B	■	-	2.9	3.4	10	220	330	-	465	470	475	140
OSG5DA5GE4B	Pure Green	G	■	-	2.9	3.4	10	750	1120	-	520	525	530	140
OSY5PA5GE4B	Yellow	Y	■	-	2.1	2.6	10	330	500	-	585	590	595	140
OSO5PA5GE4B	Orange	O	■	-	2.1	2.6	10	500	750	-	600	605	610	140
OSR5PA5GE4B	Red	R	■	-	2.1	2.6	10	330	500	-	620	625	630	140

\*1 Tolerance of measurements of dominant wavelength is ±1nm

\*2 Tolerance of measurements of CCT is ±10%

\*3 Tolerance of measurements of luminous intensity is ±15%

\*4 Tolerance of measurements of forward voltage is ±0.1V