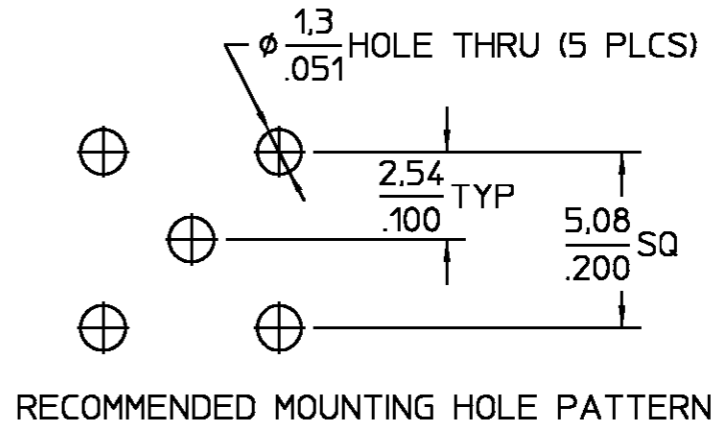
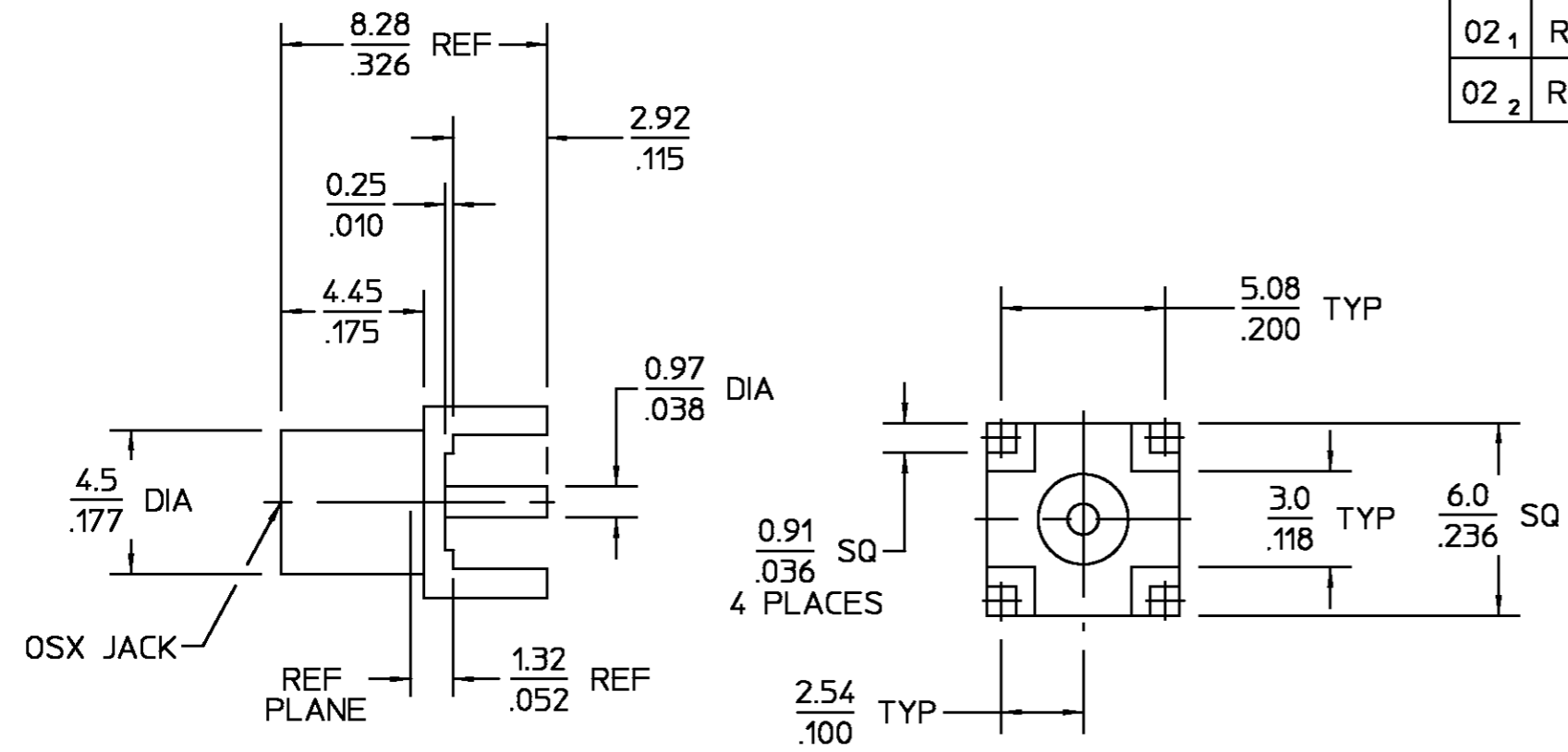


REVISIONS			
REV	DESCRIPTION	DATE	APPROVED
02 ₁	REVISED DATA TABLE PER ECN 95-0262	6/26/95	S. Morley
02 ₂	REVISED	DM 3/15/99	Tubag 3/16/99



RECOMMENDED MOUNTING HOLE PATTERN
CAPTURED CENTER CONTACT

ELECTRICAL	MECHANICAL	ENVIRONMENTAL	HOUSING	MATERIAL	FINISH
Nominal Impedance (Ohms) <u>50</u> Frequency Range (GHz) <u>DC TO 6.0</u> Voltage Rating (VRMS MAX) <u>335 @ Sea level</u> VSWR <u>N/A</u> Insertion Loss <u>N/A</u> Corona, 70,000 Ft (VRMS MIN) <u>250</u> D.W.V. (VRMS MIN) <u>1000</u> Contact Resistance Center Contact (Milliohms MAX) <u>5.0</u> Outer Contact (Milliohms MAX) <u>1.0</u> RF High Potential (VRMS MIN @ 5 MHz) <u>670</u> I.R. (Megohms Min) <u>10,000</u>	Force to Engage: (Lbs) <u>3.4 MAX</u> Force to Disengage: (Lbs) <u>1.77 MIN - 4.5 MAX</u> Center Contact Captivation: <u>Axial 4.5lbs @ 1 minute</u> <u>with .006" displacement</u> <u>XX.XX = mm</u> <u>.XXX = in</u>	Temperature Rating <u>-65°C to +165°C</u> Vibration <u>MIL-STD-202, Method 204,</u> <u>Condition B</u> Thermal shock <u>MIL-STD-202, Method 107,</u> <u>Condition B</u> Moisture Resistance <u>MIL-STD-202, Method 106</u> Corrosion <u>MIL-STD-202,</u> <u>Method 101, Condition B,</u> <u>48 Hrs</u>	HOUSING DIELECTRIC CENTER CONTACT	BRASS, PER ASTM-B-16 HALF HARD TFE FLUOROCARBON PER ASTM-D-1457 BERYLLIUM COPPER PER ASTM B 196, ALLOY C17300, CONDITION H	NICKEL PLATE PER QQ-N-290 N/A GOLD PLATE PER MIL-G-45204
			COMPONENT	MATERIAL	FINISH
			UNLESS OTHERWISE SPECIFIED DIMENSIONS ARE IN MILLIMETERS TOLERANCE ON DEC ANGLES ±0.13 ±°	DRAWN BY K.C.MAHER 10/18/90 CHECKED BY M.Y. 10-19-90 APP'D BY Q.R.L. 10-19-90	AMP Incorporated 140 Fourth Avenue Waltham, MA 02451-7599
			These drawings and specifications are the property of AMP incorporated and shall not be reproduced or copied or used in whole or in part as the basis for the manufacture or sale of item(s) without written permission.	USE ASSY PROCEDURE NO. AP. <u>N/A</u>	TITLE OSX PRINTED WIRING BOARD JACK RECEPTACLE STRAIGHT TERMINAL
				SIZE B	CODE IDENT NO. 26805
				SCALE 5:1	5862-5002-10
					REV 02 ₂
					SHEET 1 OF 1

CUSTOMER DRAWING

AMP PART # 1060985-1
SHEET 1 OF 1 REV A